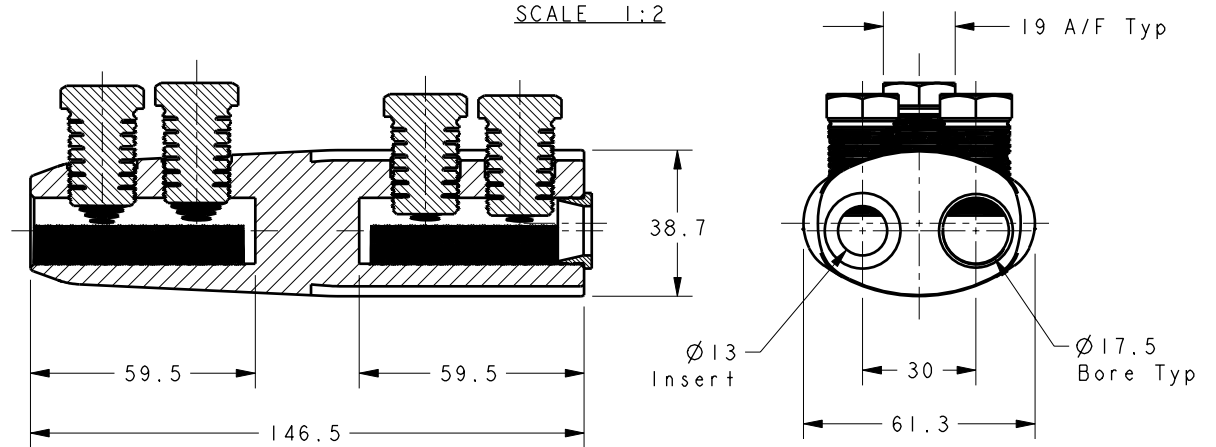


ITEM	PART/DRG NO	QTY	DESCRIPTION
1	01-303-0002	1	PLASTIC REDUCING BUSH FOR MXSU BRANCH CONNECTOR - 17.8 O/D 13.0 I/D
2	01-303-0015	1	22kV ALUMINIUM BRANCH CONNECTOR BODY MXSU - WITH 17.5 BORES
3	01-701-0013	6	M18x1.5 19 A/F 31.75 LONG BRASS MULTI-SHEAR BOLT

NOTE :

1. FIT PLASTIC REDUCING BUSH IN BORE AS SHOWN.

SCALE 1:2



Min. Conductor	Ø9.4
Max Conductor	Ø16.2

Bolt Shear Torque (1st Groove)	
Nm	lb/ft
43 ⁺⁴ ₋₀	32 ⁺³ ₋₀

S	ASSEMBLY 'NOTE 1' ADDED	BH-00218	01/12/06
R	DRAWING LAYOUT REVISED	S.P.W	12.8.03
P	TITLE BLOCK REVISED, B&H SHORT DESCRIPTION ADDED	S.P.W	17.1.03
N	PART No WAS MBRA-0012-0095/0150, DRG No WAS B04-A00-A05	S.P.W	10.9.00
M	PART No REVISED - BH SUFFIX ADDED	S.P.W	9.5.01
L	BOLT SHEAR TORQUES ADDED	S.P.W	20.7.00
K	DESCRIPTION REVISED	S.P.W	13.6.00
J	REDRAWN, MSXU WAS CART, DRG No WAS 0072-AS1	S.P.W	6.12.99
I	CONNECTOR BODY LENGTH INCREASED, NOTE ADDED	E.T	8.4.99
H	DRAWING DISTRIBUTION TABLE ADDED	E.T	21.3.99
G	REVISED TABLE	E.T	13.10.98
F	REVISED TABLE & C'BORE DETAILS	E.T	7.10.98
E	REVISED TABLE & TITLE	E.T	9.6.98
D	2mm COUNTERBORE DEPTH REMOVED	E.T	7.7.98
C	BOLT CENTRE TO EDGE DIMENSIONS REVISED	E.T	9.6.97
B	FIRST ISSUE	E.T	21.3.97
Revision	Description	Name/DMR	Date

tyco
Electronics
B&H

Tyco Electronics UK Ltd
Freebournes Road, Witham
Essex, CM8 3AH, UK.
Tel: +44 1376 509509
Fax: +44 1376 509511
<http://energy.tycoelectronics.com>

Material VARIES
Finish VARIES
Tolerances (UOS) -
B&H Short Desc. MBRA-0012-0095/0150

IF IN DOUBT ASK - DO NOT SCALE
Part Description
22kV ALUMINIUM BRANCH CONNECTOR
MXSU WITH Ø17.5 BORES
(RAYCHEM REF: MBRA-0012-0095/0150-BH)

Design/Drawn S.P.WEST Date: 06-Dec-99 Scale (UOS) 4:5
PCN/RPN No 294756-000 Checked/Approved by
Drawing/Part No. 02-303-0006 Drawing Type ASSEMBLY/CUSTOMER
THIRD ANGLE PROJECTION
A4
Revision S