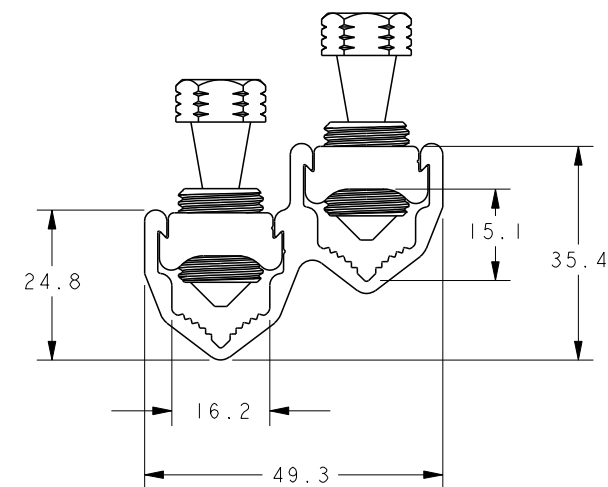
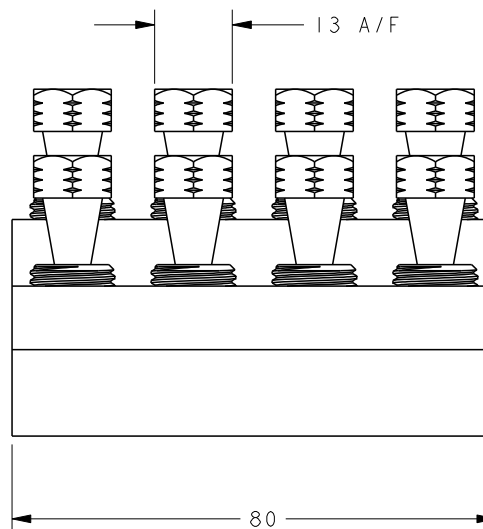
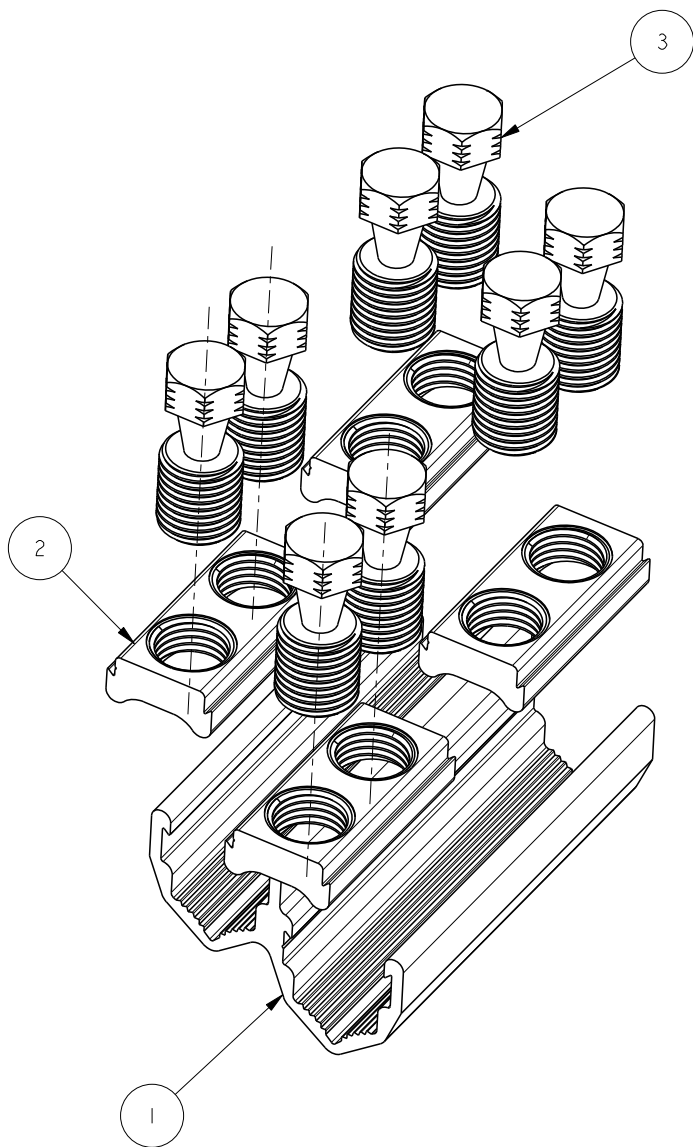


ITEM	PART/DRG NO	QTY	DESCRIPTION
1	01-300-0004	1	UNIVERSAL 95mm <sup>2</sup> BRANCH BOTTOM INSERT (8 BOLT)
2	01-710-0019	4	UNIVERSAL 95mm <sup>2</sup> TOP INSERT (2 BOLT)
3	BAH-017000152	8	M14x1.5 13 A/F 37.5 LONG ALUMINIUM SINGLE-SHEAR FLAT TIP BOLT



E	BAH-017000152 REPLACED BAH-017000056		BH-01100	30/06/15
D	PART No WAS UBR095-4, DRG No WAS B02-A00-A26		S.P.W	24.8.01
C	EXTRUSION REVISED - ITEM 1 & 3		S.P.W	1.3.01
B	PART No REVISED		S.P.W	26.6.00
A	FIRST ISSUE		S.P.W	5500
Revision	Description		Name/DMR	Date
Design/Drawn	S.P.WEST	Date	5 MAY 00	Scale (UOS) 4:5
TCPN	732988-000	Part Weight	196.80g	
Drawing/Part No	BAH-023000040		Drawing Type	CUSTOMER
			THIRD ANGLE PROJECTION	A4
			Rev	E



Material	VARIES
Finish	VARIES
Tolerances (UOS)	-
B&H Short Desc.	UBRD095

Part Description	- IF IN DOUBT ASK - DO NOT SCALE -
<b>UNIVERSAL 95mm<sup>2</sup> BRANCH CONNECTOR (8 BOLT)</b>	

REMOVE ALL BURRS AND SHARP EDGES - SURFACES TO BE FREE FROM SCRATCHES AND DEFECTS - ALL THREADS TO BS3643 PT 2

© 2015 TYCO ELECTRONICS UK LTD, WITHAM, UK