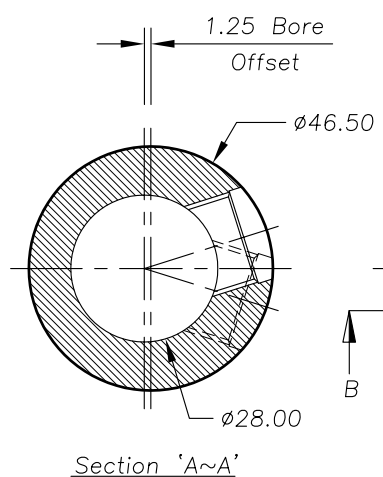
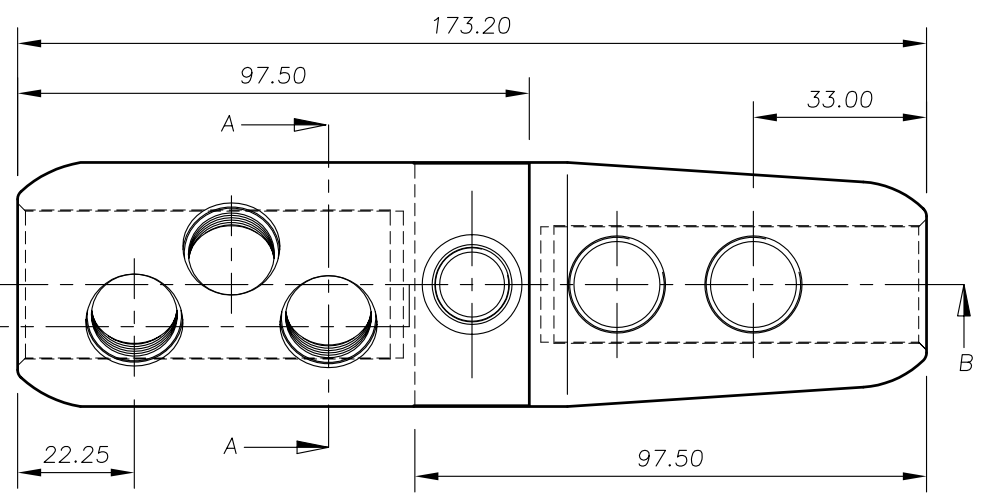


Connector Mid-Bolt

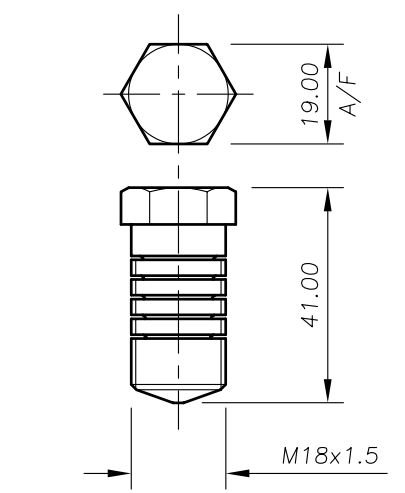
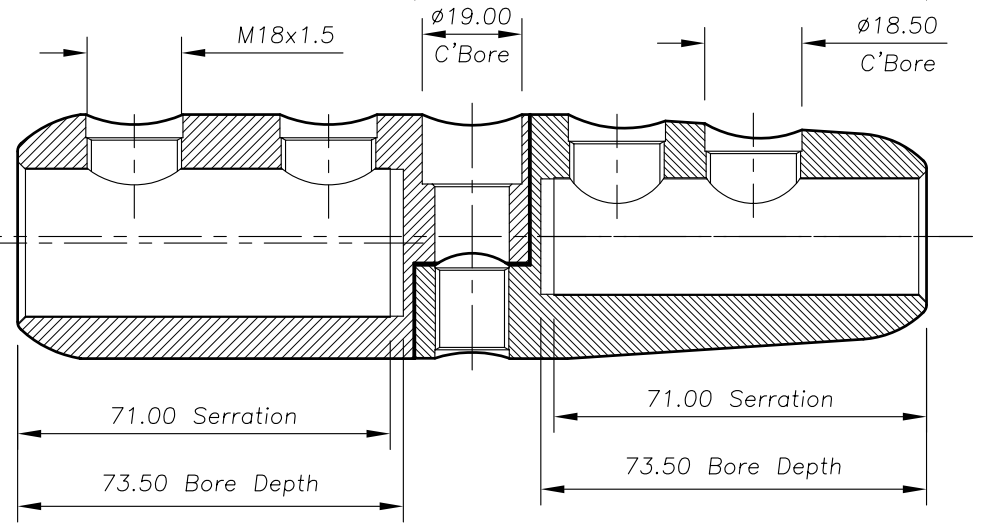


Connector Body

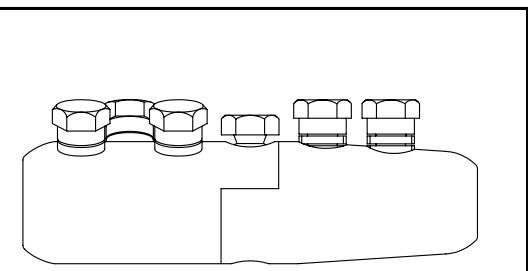
Section 'A~A'



Section 'B~B'



M18 Conductor Clamping Bolt



Assemble Connector as Shown

PART/DRG NO.	QTY.	DESCRIPTION
01-211-0082	1	33kV BRASS STRAIGHT VEE TYPE CONNECTOR - 46.5 O/D 28.0/21.0 I/D (TAPERED ENDED) THREADED HALF
01-211-0081	1	33kV BRASS STRAIGHT VEE TYPE CONNECTOR -46.5 O/D 28.0/21.0 I/D (TAPERED ENDED) C'BORED HALF
01-702-0015	1	M14x1.5 19 A/F 56.3 LONG BRASS MID-BOLT
01-701-0010	5	M18x1.5 19 A/F 41.0 LONG BRASS MULTI-SHEAR BOLT

Revision	Description	Name	Date
E	MID-BOLT MATERIAL REVISED	S.P.W	12.6.02
D	PART No WAS VTPB28/22UTB, DRG No WAS S17-B02-A03	S.P.W	18.1.02
C	MID-BOLT REVISED	S.P.W	30.1.01
B	REDRAWN, PART No REVISED, WAS RAYC-SPC-V400/185, DRG No REVISED, WAS 0141-AS2	S.P.W	29.8.00
A	FIRST ISSUE	E.T	22.5.99

Issued to: Commercial Quality Stores Production

tyco
Electronics
Energy Division

B&H
Middlemore Lane West,
Redhouse Ind. Est. Aldridge,
West Midlands WS9 8EA
Phone:+44(0)1922 744144
Fax:+44(0)1922 744150

Material VARIES
Finish VARIES
Tolerances (UOS) -
Remove all Burrs and Sharp Edges
All Threads to BS3643 Pt 2

IF IN DOUBT ASK! - DO NOT SCALE

Part Description
33kV BRASS STRAIGHT VEE TYPE CONNECTOR
46.5 O/D 28.0/21.0 I/D (TAPERED ENDED)
(RAYCHEM REF: MSFE-0014-0400/0185)

Design/Drawn S.P.WEST Date: 29 AUG 1999 Scale (UOS) 1:1.5

Checked by Approved by

Drawing/Part No. 02-211-0050 Drawing Type ASSEMBLY

THIRD ANGLE PROJECTION

A4

Revision. E