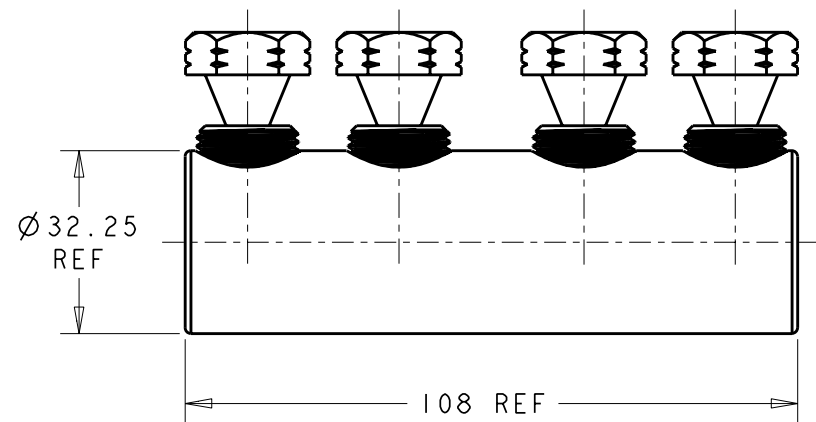
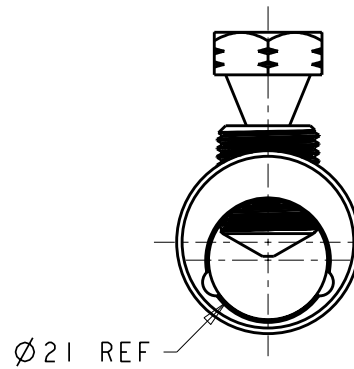
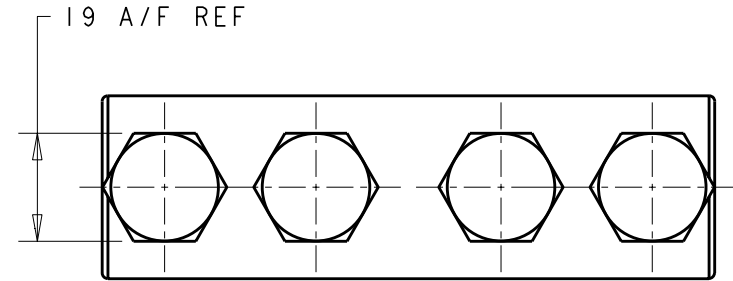
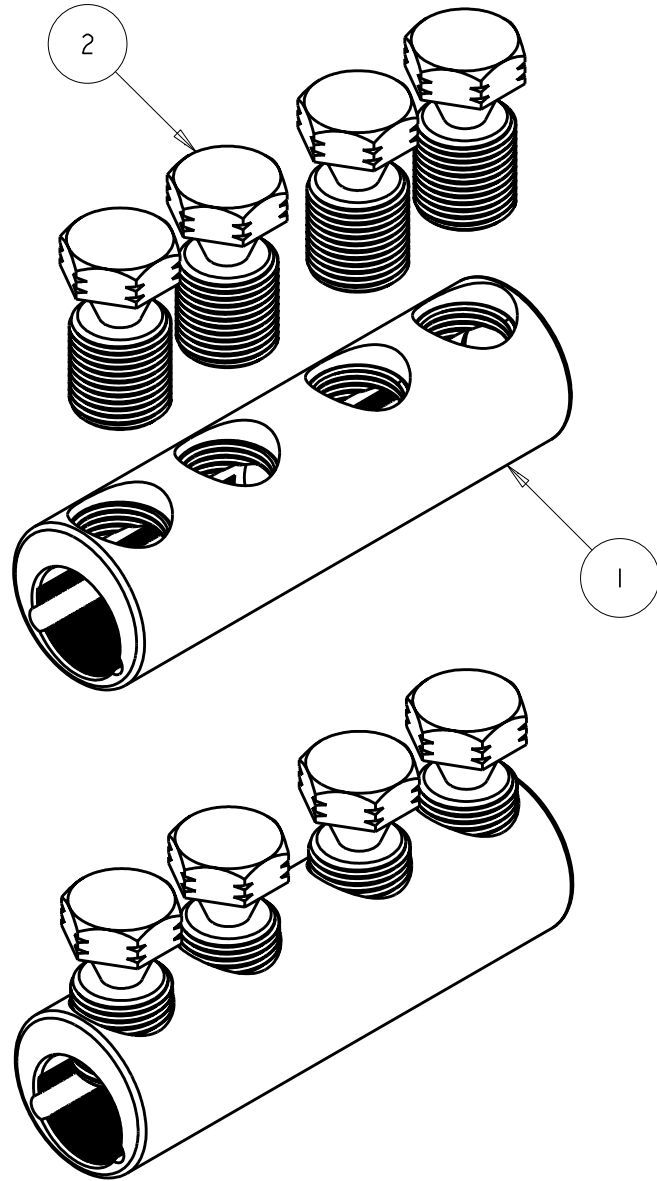


ITEM	PART/DRG NO	QTY	DESCRIPTION
1	BAH-012090093	1	11kV ALUMINIUM STRAIGHT BLOCKED CONNECTOR BODY - BROACHED TYPE 32.25 O/D 21.0 I/D (ELECTRO-TIN PLATED)
2	BAH-017000125	4	M18x1.5 19 A/F 39.5 LONG ALUMINIUM SINGLE-SHEAR BOLT (WAXED)



C	PART RE-ISSUED AFTER BEING MADE OBSOLETE ON DMR BH-00573 DATED 21/05/2009	BH-00613	07/01/10
B	BODY Ø 32.25 WAS Ø 35, BORE Ø 21.0 WAS Ø 20.9, LENGTH 108 WAS 124 & B&H SHORT DESC. SBA21PGB/AG2M18W WAS HVSTM18SOPGB/AG2M18W	BH-00527	12/11/08
A	FIRST ISSUE	BH-00520	08/10/08
Revision	Description	Name/DMR	Date
Design/Drawn	D M EATON	Date	08-Oct-08
PCN/RPN No	EBO654-000	Checked/Approved by	Scale (UOS) 3:4
Drawing/Part No	BAH-022090094	Drawing Type	ASSEMBLY/CUSTOMER
		THIRD ANGLE PROJECTION	Rev C

Tyco Electronics

Tyco Electronics UK Ltd, Freebournes Road,
Witham, Essex, CM8 3AH, UK

Tel: +44 870 870 7500 Fax: +44 870 240 5289

Material	VARIES
Finish	VARIES
Tolerances (UOS)	-
B&H Short Desc.	SBA21PGB/AG2M18W

- IF IN DOUBT ASK - DO NOT SCALE -
Part Description
**11kV ALUMINIUM STRAIGHT BLOCKED CONNECTOR
- BROACHED TYPE 32.25 O/D 21.0 I/D
(ELECTRO-TIN PLATED & WAXED BOLTS)**

REMOVE ALL BURRS AND SHARP EDGES - SURFACES TO BE FREE FROM SCRATCHES AND DEFECTS - ALL THREADS TO BS3643 PT 2

© 2010 TYCO ELECTRONICS UK LTD, WITHAM, UK