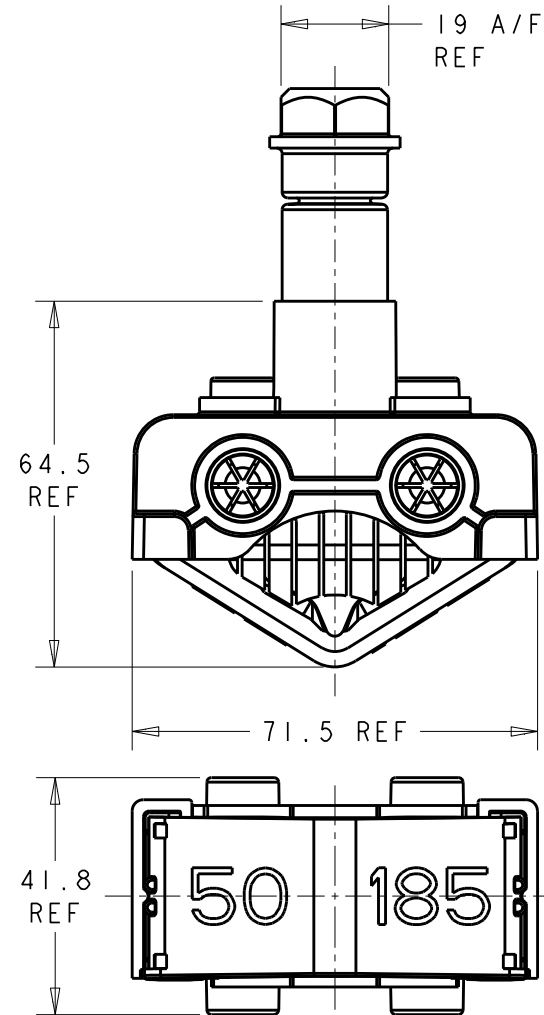
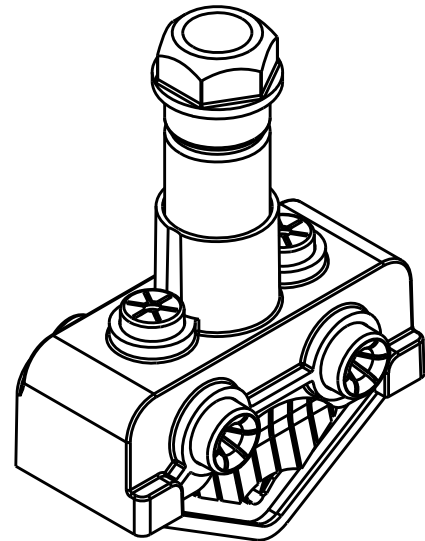
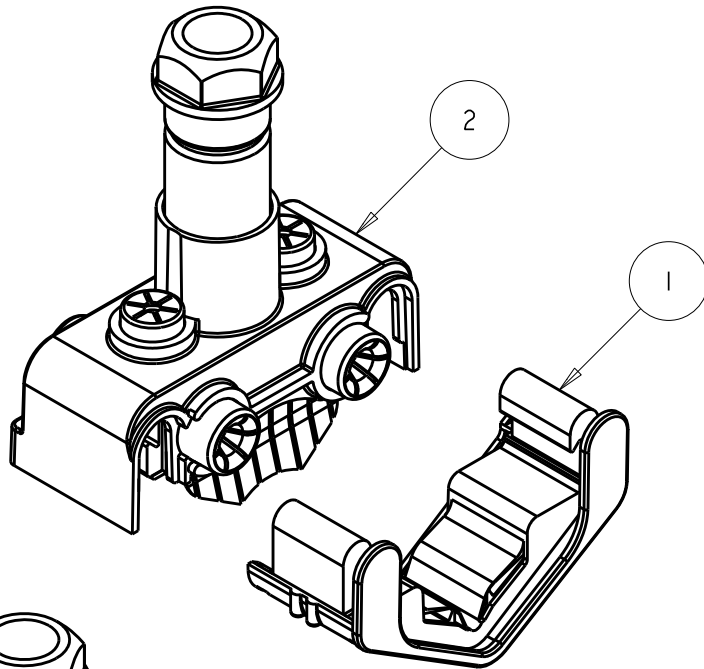


ITEM	PART/DRG NO	QTY	DESCRIPTION
1	BAH-021500036	1	IIPC50-185 BOTTOM INSERT SUB-ASSEMBLY
2	BAH-021500053	1	IIPC50-185 TOP INSERT SUB-ASSEMBLY



NOTE :

1. PART WEIGHT APPROX = 117.70g

C	BAH-021500053 (x1) WAS BAH-021500035 (x1)	BH-00861	25/02/13
B	PICTORIAL CHANGE ONLY TO BAH-011500048	BH-00812	19/07/12
A	FIRST ISSUE	BH-00722	12/07/11
Revision	Description	Name/DMR	Date



Material	VARIES
Finish	VARIES
Tolerances (UOS)	N/A
B&H Short Desc.	IIPC50-185

Part Description	
- IF IN DOUBT ASK - DO NOT SCALE -	
IIPC50-185 MAINS-SERVICE CONNECTOR ASSEMBLY	

Design/Drawn	D M EATON	Date	12-Jul-11	Scale (UOS)	3:4	THIRD ANGLE PROJECTION	A4
PCN/RPN No	CU8610-000	Checked/Approved by					
Drawing/Part No	BAH-021500032	Drawing Type	ASSEMBLY/CUSTOMER		Rev	C	