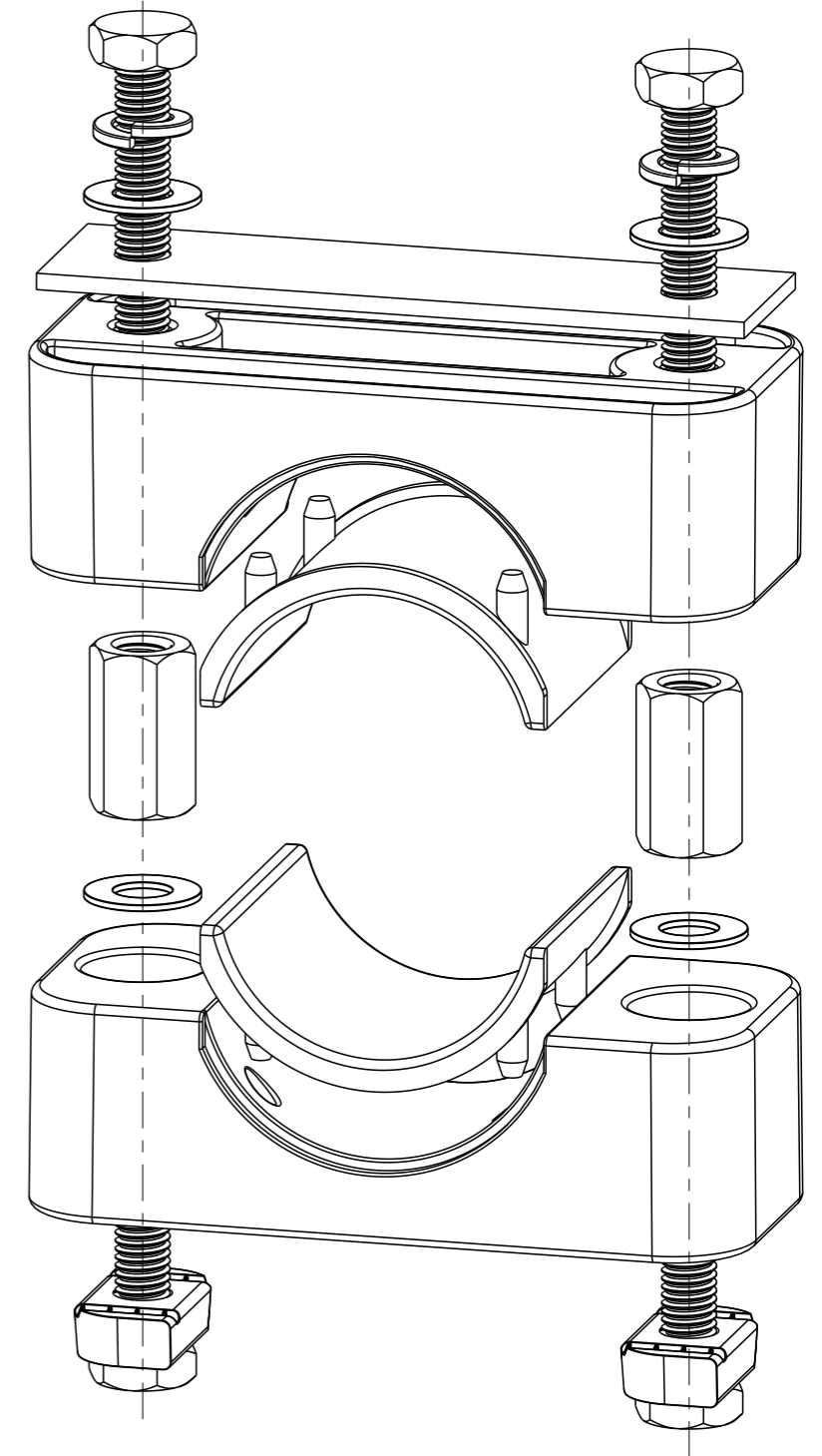
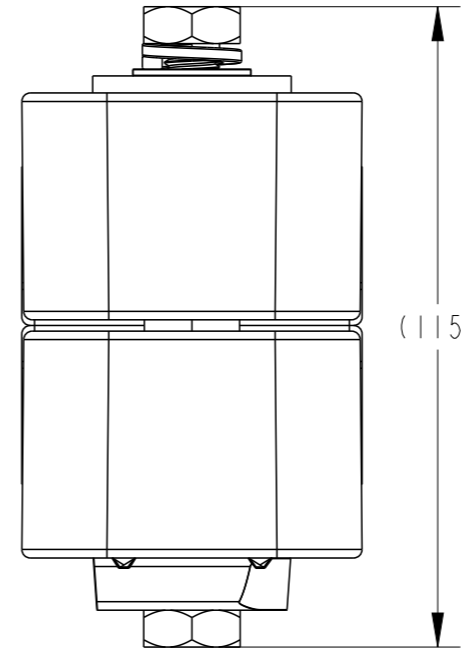
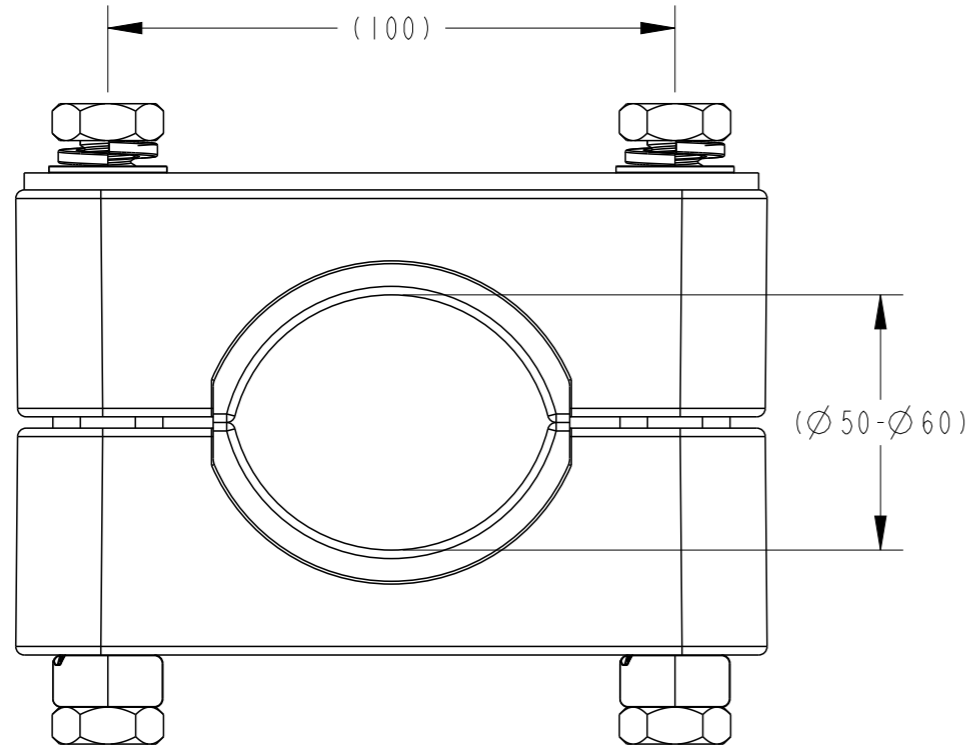
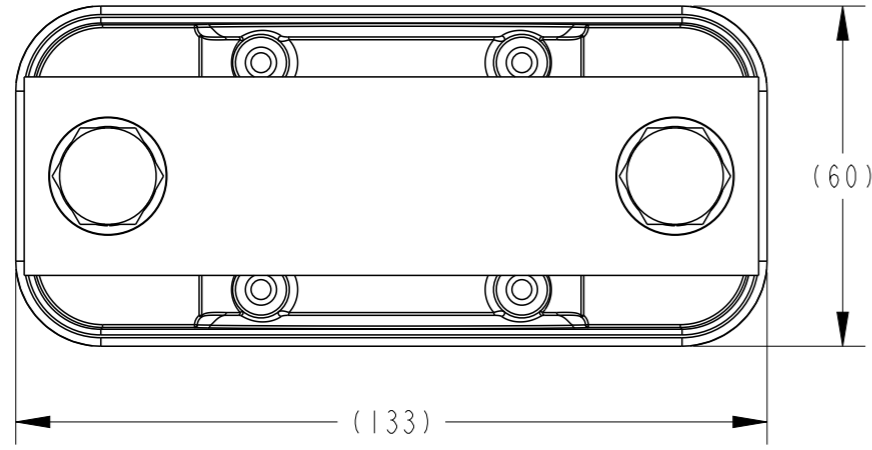



PART NO.	CATALOGUE NO.	REFERENCE NO.
EF1279-000	CC50-60-SN-M10	TAPI0907A
EF8404-000	CC50-60-SN-M12	—



LOC																								
DIST	—	I	NEW RELEASE	19-02-2015	MB	AT	IMPLIED NOTES BURRS AND SHARP EDGES REMOVED SCREW THREADS ARE TO AS 1275 DO NOT WORK TO DIMS MARKED REF SURFACE FINISH 6.3 U.N.O. DIMS ARE IN mm. DO NOT SCALE		IMPLIED TOLERANCES HOLE DIA AND LOCATIONS: ±0.5mm. DIMENSIONS UP TO 30mm: ±1.5mm. DIMENSIONS OVER 30mm: ±5% UP TO A MAX OF±5mm. ANGULAR DIMENSIONS:±5°		TCPN REFER TABLE	TITLE CABLE CLEAT Ø50-Ø60 STRUT NUT M10 & M12		DATE 19-02-2015	DRAWN MB		 TE Connectivity 2/3 Corella Close Berkeley Vale NSW 2261 Australia	REV	OF	SHEET	DRAWING NO AU34559	SCALE 3:4	PROJECTION 3RD ANGLE	SIZE A3
POS	REV	REVISION RECORD			DATE	DWN	APVD	MATERIAL NO -	MATL SPEC/STD/DRG NO -	PROCESS SPEC HEAT TREAT/PLATING NO -	Cat No REFER TABLE	CHECKED RN	APPROVED AT	APPROVED	DRAWING NO AU34559	SCALE 3:4		PROJECTION 3RD ANGLE	SIZE A3	MATERIAL DESC -				