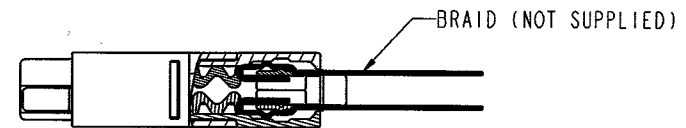
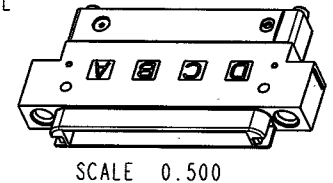
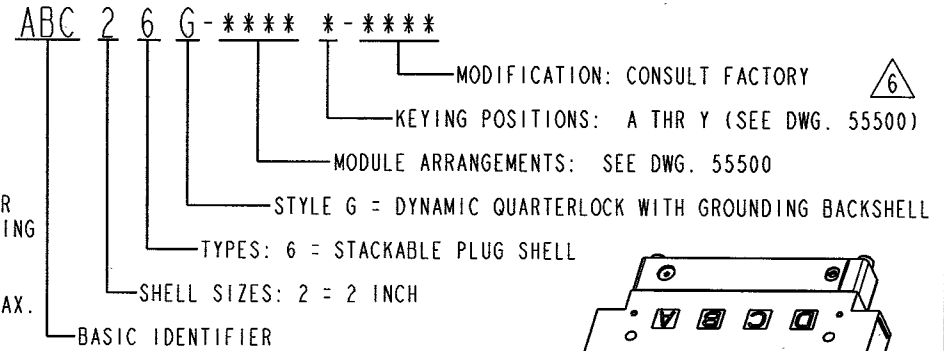
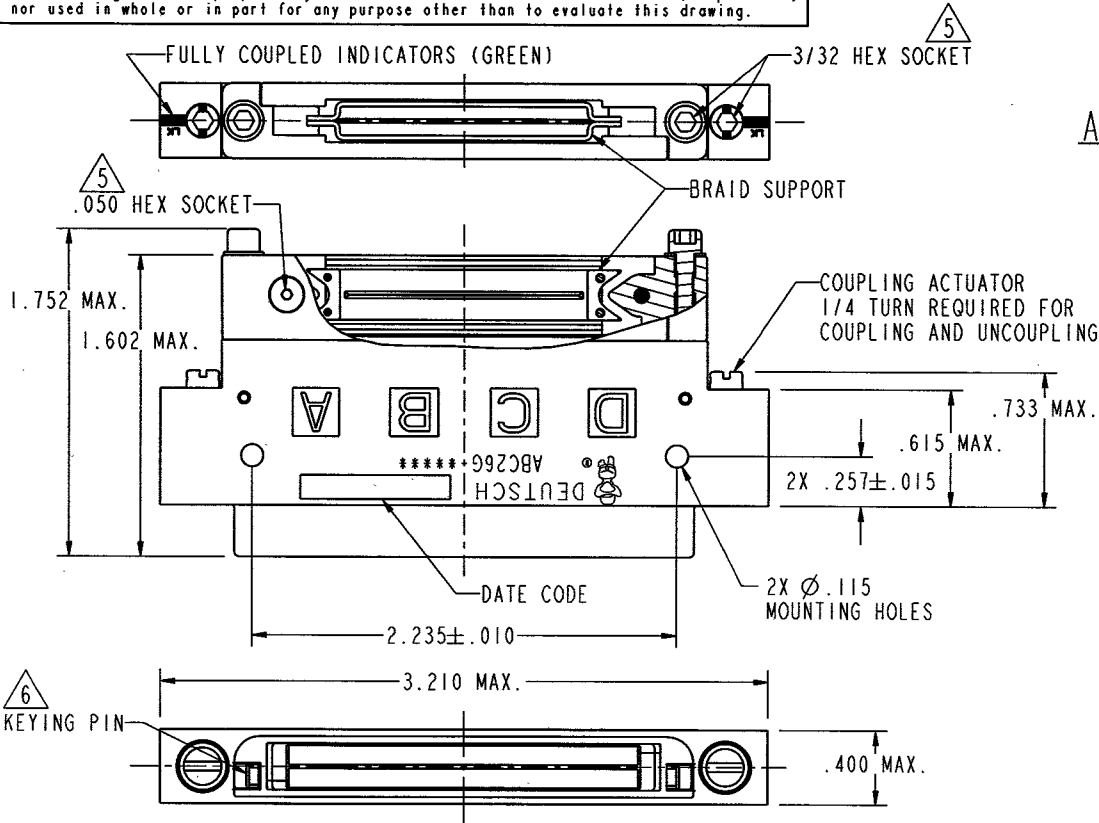


PROPERTY OF DEUTSCH E.C.D.

This drawing contains proprietary information that shall not be disclosed, duplicated, nor used in whole or in part for any purpose other than to evaluate this drawing.

A ABC26G-\*\*\*\*\*

REVISIONS			
REV	DESCRIPTION	DATE	APPROVED
A	REVISED PER E.O. C6553	060531	PC



7. ALL MOUNTING HARDWARE SUPPLIED WITH CONNECTOR.

6. WHEN NO LETTER IS CALLED OUT, KEYING PINS ARE SHIPPED LOOSE AND INSTALLED BY CUSTOMER (EXAMPLE P/N: ABC26G-1972). IF LETTER A-Y IS CALLED OUT FACTORY INSTALLS THE KEYING PINS (EXAMPLE P/N: ABC26G-1972A).

5. TOOLS REQUIRED (NOT SUPPLIED): 5/64 INCH HEX KEY AND 3/32 INCH HEX KEY.

4. FINISH: SHELL - DEUTSCH SPECIAL METALIZED SURFACE IN CONFORMANCE WITH THE PERFORMANCE REQUIREMENTS OF AFLC8810310  
 CONTACTS - GOLD OVER NICKEL IN CONFORMANCE WITH AS39029

3. MATERIAL: SHELL - COMPOSITE IN CONFORMANCE WITH THE PERFORMANCE REQUIREMENTS OF AFLC8810310  
 MOUNTING HARDWARE - IN CONFORMANCE WITH AFLC8810310  
 CONTACTS - COPPER ALLOY IN CONFORMANCE WITH AS39029  
 BRAID SUPPORT - ALUMINUM

2. FOR AVAILABILITY, CONSULT FACTORY.

1. DIMENSIONS ARE IN INCHES.

NOTES, UNLESS OTHERWISE SPECIFIED:

SIGNATURE & DATE	
DR	A. RASMUSSEN 050701
CHK	PAULA CARNAHAN 050718
PE	A. RASMUSSEN 050701
APPD	<i>A. Rasmussen</i> 060531
SCALE	WT NONE

PLUG  
 ABC CONNECTOR  
 STRAIGHT GROUNDING  
 BACKSHELL  
 QUARTER LOCK COUPLING  
 ENVELOPE

CP	MATL CODE
---	---
<b>DEUTSCH</b> ENGINEERED CONNECTING DEVICES 5733 W. Whittier Ave. Hemet, California	
<b>A</b>	ABC26G-*****
DWG SIZE	CODE 11139 SHEET   OF