

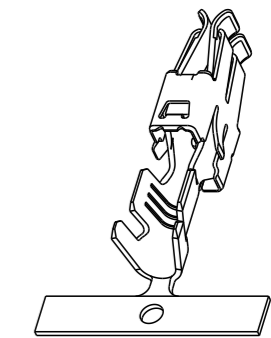
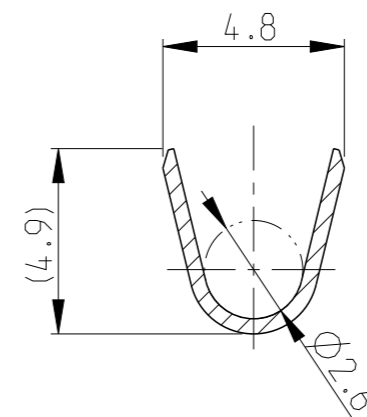
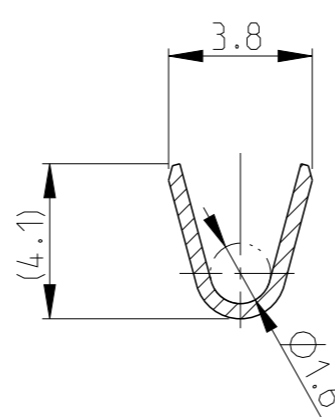
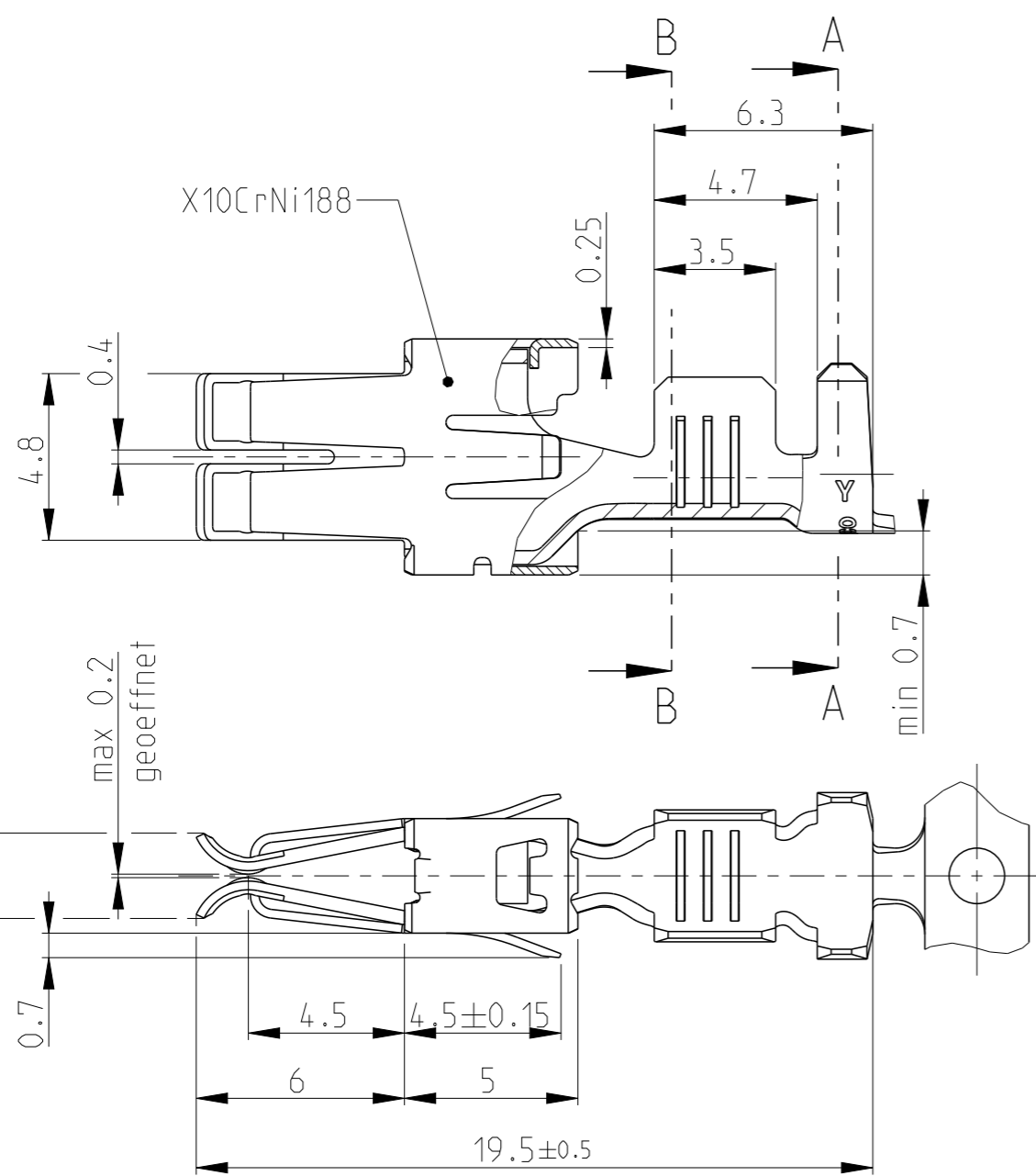
THIS DRAWING IS UNPUBLISHED.

RELEASED FOR PUBLICATION

© COPYRIGHT -

ALL RIGHTS RESERVED.

LOC	DIST	REVISIONS					
		P	LTR	DESCRIPTION	DATE	DWN	APVD
A1	-		C 10	ECR-19-019847	20DEC2019	KD	FL
			C 11	ECR-21-124363	28JAN2022	TL	FL
			C 12	ECR-24-205012	08APR2024	TL	FL
			C 13	ECR-24-215745	26AUG2024	SM	FL


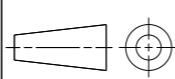


Notes

- 1 OBSOLETE
- 2 PRELIMINARY - NOT RELEASED FOR PRODUCTION
- 3 CONTACT ZONE SELECTIVE PRE SILVER PLATED MIN 1-1.5 µm
- 4 GENERAL TOLERANCE: ± 0.2, ± 1°
- 5 PACKAGING CAN BE DIFFERENT BASED ON THE MANUFACTURING LOCATION. QUANTITY AND MACHINE FITTING ARE THE SAME

INSUL. RANGE Ø2.2-3.0 mm	WIRE RANGE >1-2.5 mm <sup>2</sup>
--------------------------------	---

2.5	1	<del>1241826-5</del>	vorversilbert/PRESILVERED	CuFe2	964203-5	C
2.5	1	<del>1241826-4</del>	vorversilbert/PRESILVERED 1-1.5 µm	CuSn4	964203-4	C
2.5	1	<del>1241826-3</del>	vorversilbert/PRESILVERED 3-4.5 µm	CuSN4	964203-3	C
2.5	1	<del>1241826-2</del>	vorverzinnt/PRETINNED	CuSN4	964203-2	C
2.5	1	<del>1241826-1</del>	vorverzinnt/PRETINNED	CuFe2	5 964203-1	C
A		LP NO	FINISH	MATERIAL	PART NO.	REV

THIS DRAWING IS A CONTROLLED DOCUMENT.		DWN ATZMANN 06.01.94	 TE Connectivity			
DIMENSIONS: mm		CHK BARTOSCH				
TOLERANCES UNLESS OTHERWISE SPECIFIED:		APVD Bleicher, M.	NAME STANDARD POWER TIMER KONTAKT ( Gerade Tulpe )			
		PRODUCT SPEC 108-18049-1	SIZE A 3			
MATERIAL -		APPLICATION SPEC 114-18037	CAGE CODE 00779	DRAWING NO C=964203	RESTRICTED TO -	
FINISH -		WEIGHT 0.82g ref	SCALE 5:1		SHEET 1 OF 10	REV 13
Customer Drawing						

THIS DRAWING IS UNPUBLISHED.

RELEASED FOR PUBLICATION

© COPYRIGHT -

ALL RIGHTS RESERVED.

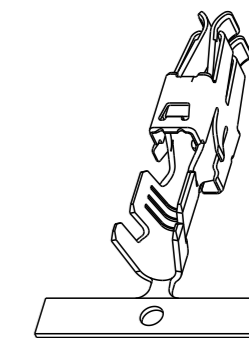
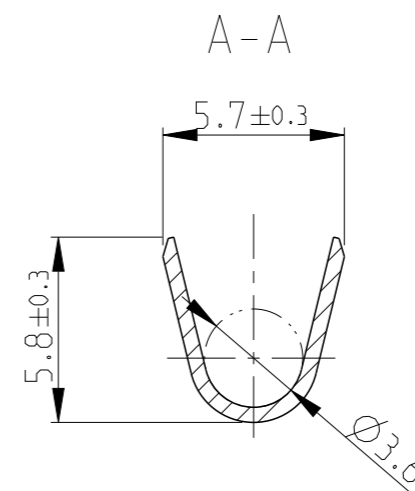
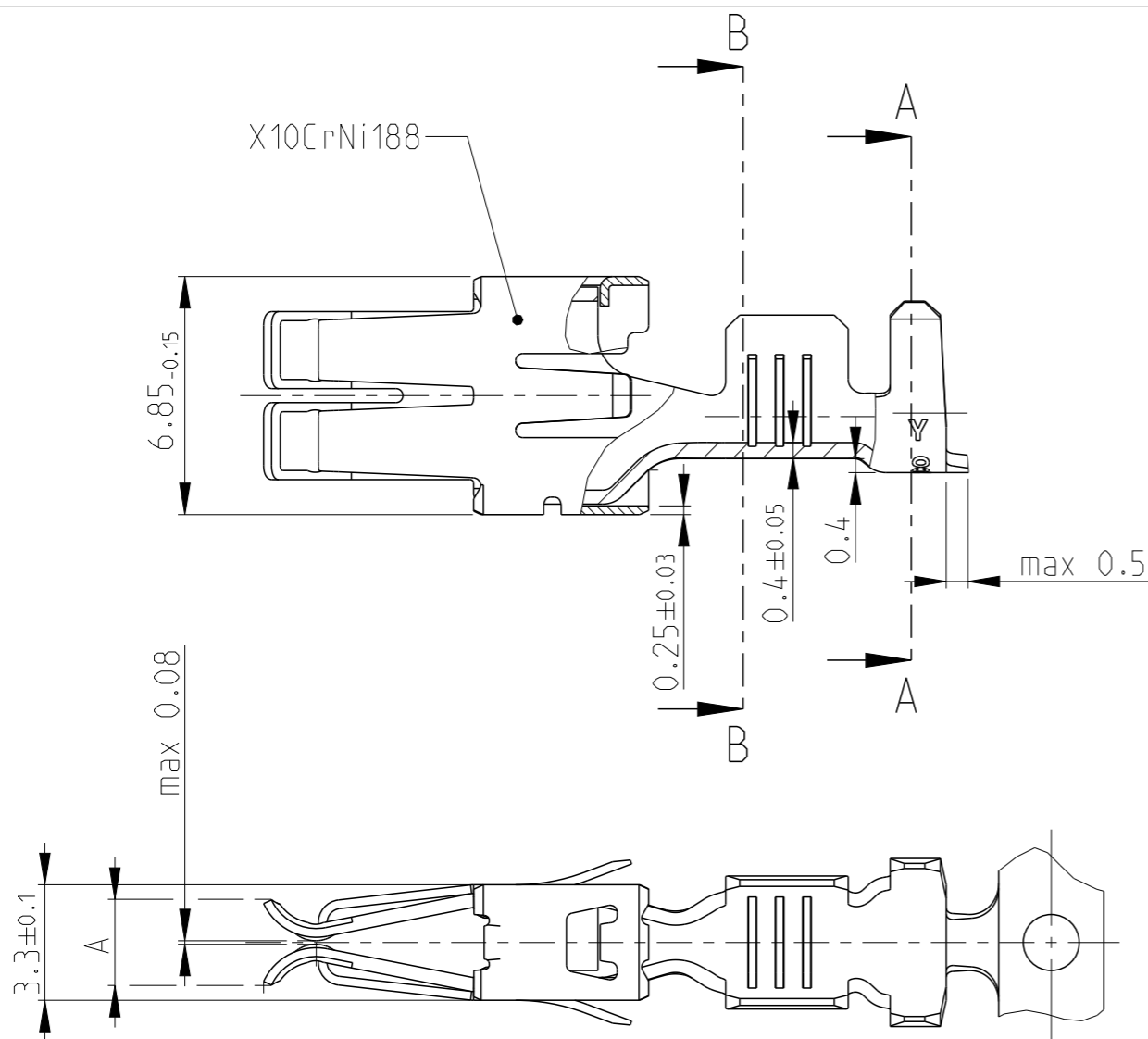
LOC  
A1

DIST  
-

REVISIONS

P	LTR	DESCRIPTION	DATE	DWN	APVD
-	-	SEE SHEET 1	-	-	-

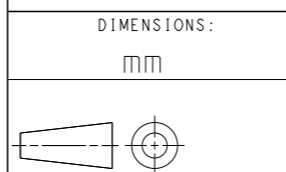
ONLY FOR 3-927833-1 & 3-927833-2  
OTHER DIMENSIONS SEE SHEET 1



2:1

INSUL. RANGE $\varnothing$ 2.7-3.7 mm	WIRE RANGE >1-2.5 mm <sup>2</sup>	2.3 $\pm$ 0.15	-	PRETINNED	CuSn4	<del>3-927833-2</del> 1	A
		2.3 $\pm$ 0.15	-	PRETINNED	CuFe2	<del>3-927833-1</del> 1	A
		A	LP NO	FINISH	MATERIAL	PART NO.	REV

THIS DRAWING IS A CONTROLLED DOCUMENT.



MATERIAL -

TOLERANCES UNLESS OTHERWISE SPECIFIED:

0 PLC  $\pm$

1 PLC  $\pm$

2 PLC  $\pm$  0.2

3 PLC  $\pm$

4 PLC  $\pm$

ANGLES  $\pm$ 1°

FINISH -

DWN ATZMANN 06.01.94

CHK BARTOSCH 18.01.94

APVD Bleicher, M. 28.11.07

PRODUCT SPEC 108-18049-1

APPLICATION SPEC 114-18037

WEIGHT -

**STE** TE Connectivity

NAME  
STANDARD POWER TIMER KONTAKT  
( Gerade Tulpe )

SIZE	CAGE CODE	DRAWING NO	RESTRICTED TO
A3	00779	C=964203	-

Customer Drawing SCALE 5:1 SHEET 2 OF 10 REV 13

THIS DRAWING IS UNPUBLISHED.

RELEASED FOR PUBLICATION

© COPYRIGHT -

ALL RIGHTS RESERVED.

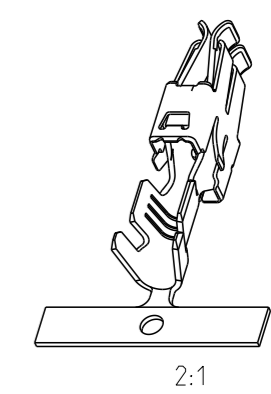
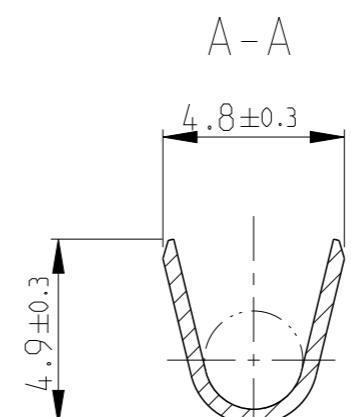
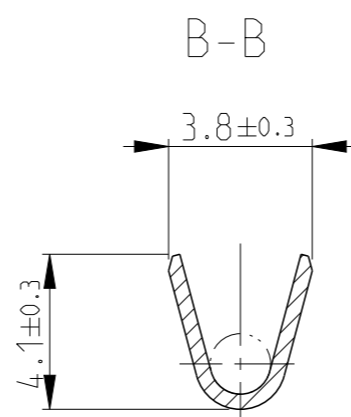
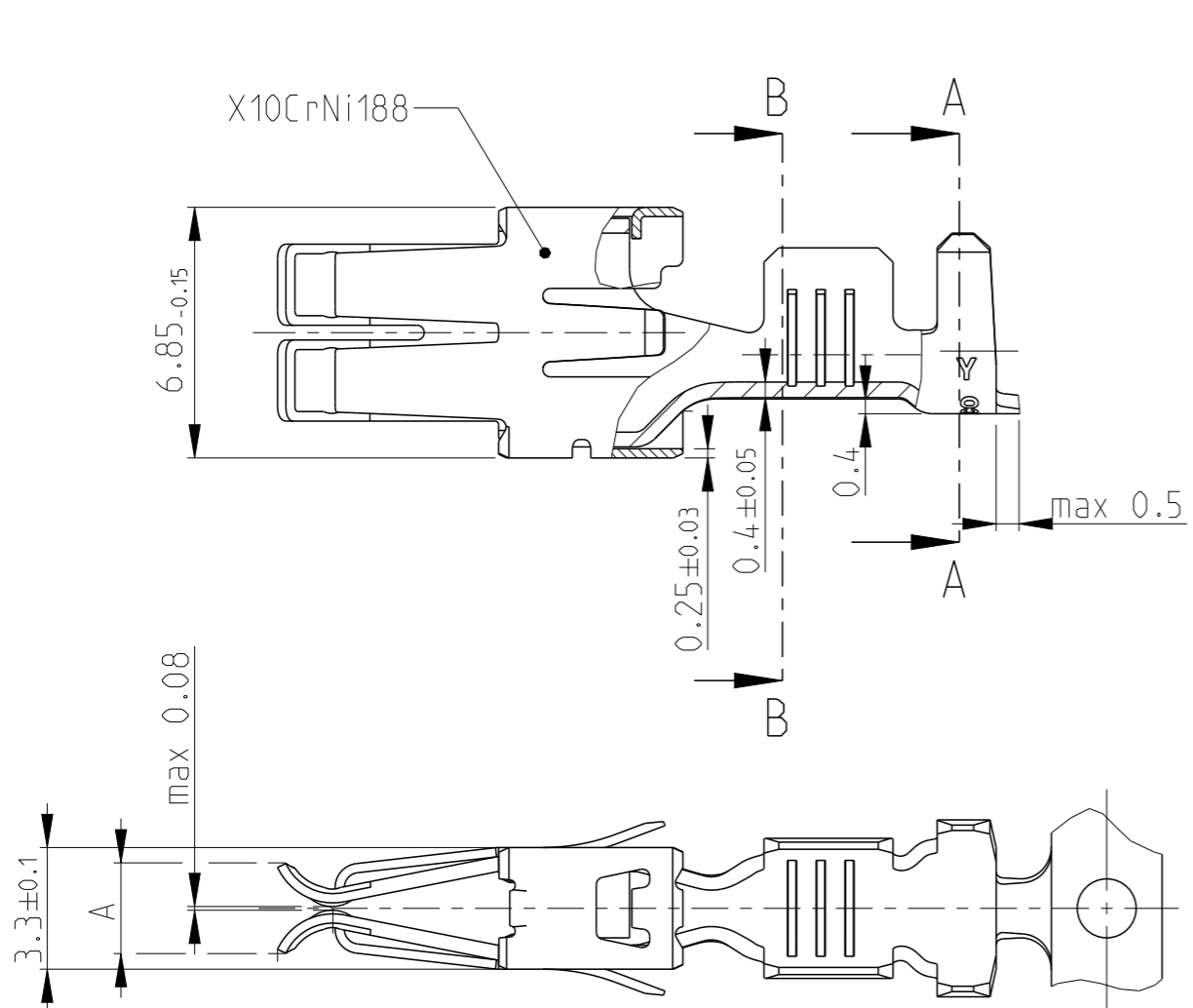
LOC  
A1

DIST  
-

REVISIONS

P	LTR	DESCRIPTION	DATE	DWN	APVD
-	-	SEE SHEET 1	-	-	-

ONLY FOR 3-927837-1, 3-927837-2,  
3-927837-4 & 3-927837-5  
OTHER DIMENSIONS SEE SHEET 1



2:1

INSUL. RANGE Ø 2.2-3.0 mm	WIRE RANGE >1-2.5 mm <sup>2</sup>
---------------------------------	---

2.3 ± 0.15	-	PRESILVERED	3	CuFe2	3-927837-5	1	A
2.3 ± 0.15	-	PRESILVERED	3	CuSn4	3-927837-4	1	A
2.3 ± 0.15	-	PRETINNED		CuSn4	3-927837-2	1	A
2.3 ± 0.15	-	PRETINNED		CuFe2	3-927837-1	1	A
A	LP NO	FINISH		MATERIAL	PART NO.		REV

THIS DRAWING IS A CONTROLLED DOCUMENT.

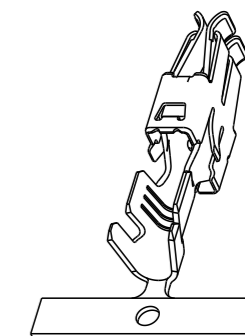
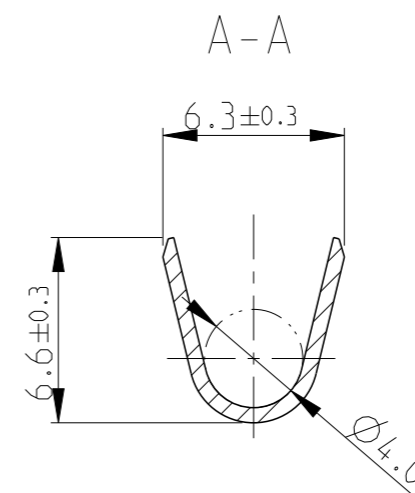
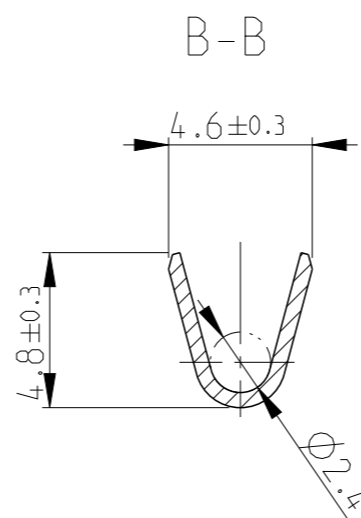
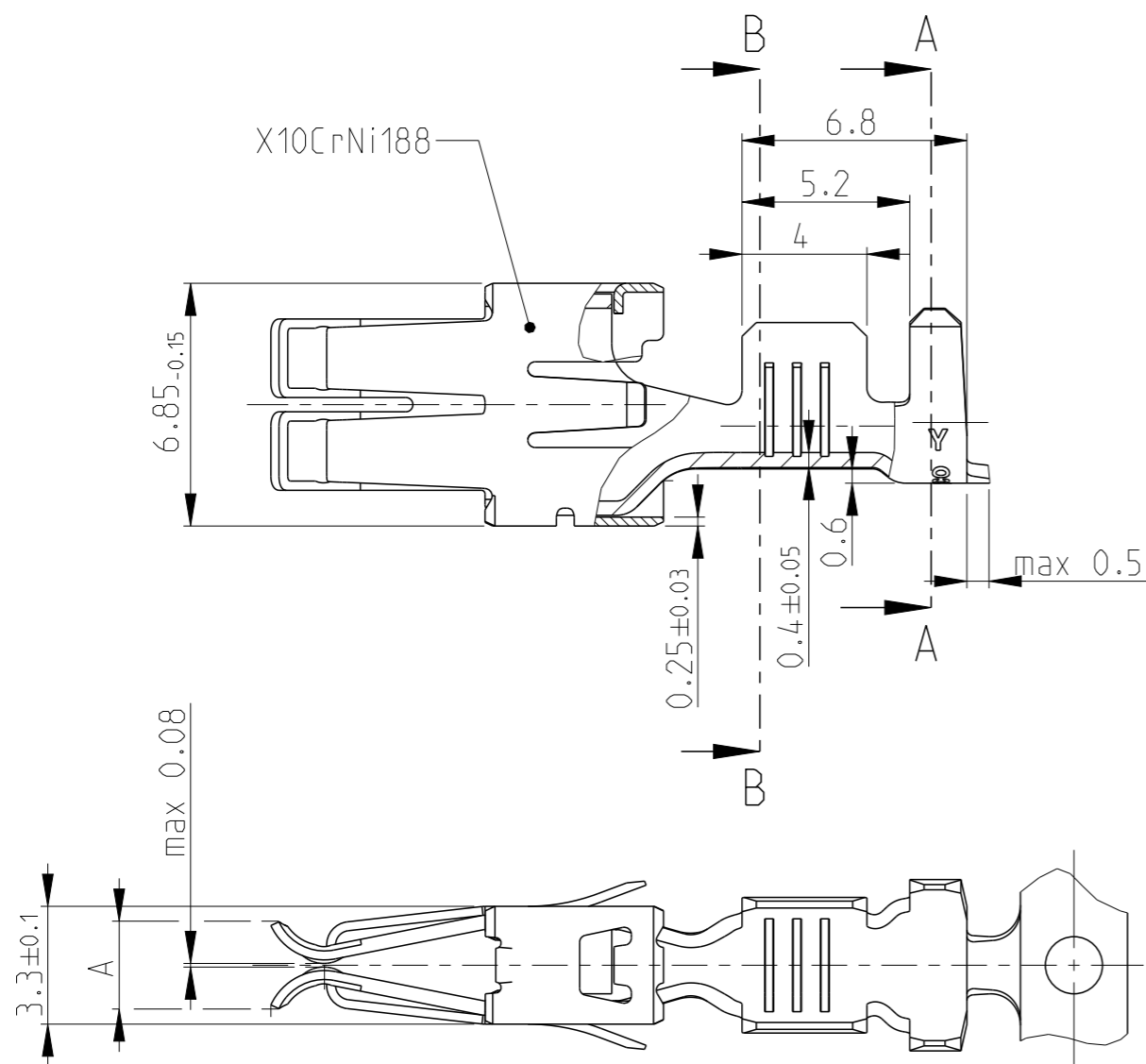
DIMENSIONS: mm	TOLERANCES UNLESS OTHERWISE SPECIFIED: ±0.2 ±1°
MATERIAL -	FINISH -

DWN ATZMANN	06.01.94
CHK BARTOSCH	18.01.94
APVD Bleicher, M.	28.11.07
PRODUCT SPEC	108-18049-1
APPLICATION SPEC	114-18037
WEIGHT	-

<b>STE</b> TE Connectivity			
NAME STANDARD POWER TIMER KONTAKT ( Gerade Tulpe )			
SIZE A3	CAGE CODE 00779	DRAWING NO C=964203	RESTRICTED TO -
Customer Drawing		SCALE 5:1	SHEET 3 OF 10
		REV 13	

P	LTR	DESCRIPTION	DATE	DWN	APVD
-	-	SEE SHEET 1	-	-	-

ONLY FOR 3-927824-1 & 3-927824-2  
OTHER DIMENSIONS SEE SHEET 1



2:1

INSUL. RANGE Ø3.3-4.5 mm	WIRE RANGE >2.5-4.0 >mm <sup>2</sup>	2.3 ± 0.15	-	PRETINNED	CuSn4	<del>3-927824-2</del> 1	A
		2.3 ± 0.15	-	PRETINNED	CuFe2	<del>3-927824-1</del> 1	A
		A	LP NO	FINISH	MATERIAL	PART NO.	REV

THIS DRAWING IS A CONTROLLED DOCUMENT.

DIMENSIONS:  
mm



TOLERANCES UNLESS OTHERWISE SPECIFIED:

0 PLC	±	±0.2
1 PLC	±	
2 PLC	±	
3 PLC	±	
4 PLC	±	±1°
ANGLES	±	
FINISH	-	

MATERIAL -

DWN	ATZMANN	06.01.94
CHK	BARTOSCH	18.01.94
APVD	Bleicher, M.	28.11.07
PRODUCT SPEC	108-18049-1	
APPLICATION SPEC	114-18037	
WEIGHT	-	



STANDARD POWER TIMER KONTAKT  
( Gerade Tulpe )

NAME	-			RESTRICTED TO	-
SIZE	A3	CAGE CODE	00779	DRAWING NO	©=964203

Customer Drawing	SCALE	5:1	SHEET	4	OF	10	REV	13
------------------	-------	-----	-------	---	----	----	-----	----

4

3

2

1

THIS DRAWING IS UNPUBLISHED.

RELEASED FOR PUBLICATION

© COPYRIGHT -

ALL RIGHTS RESERVED.

LOC

DIST

REVISIONS

A1

-

P

LTR

DESCRIPTION

DATE

DWN

APVD

- SEE SHEET 1

ONLY FOR 3-927829-1 & 3-927829-5,  
OTHER DIMENSIONS SEE SHEET 1

X10CrNi188

6.85<sub>-0.15</sub>

0.25 $\pm$ 0.03

6.8

5.2

4

0.4 $\pm$ 0.05

0.6

max 0.5

max 0.08

3.3 $\pm$ 0.1

B-B

4.6 $\pm$ 0.3

4.8 $\pm$ 0.3

$\phi$ 2.4

A-A

5.5 $\pm$ 0.3

5.7 $\pm$ 0.3

$\phi$ 3.3

2:1

INSUL. RANGE $\phi$ 2.7-3.7 mm	WIRE RANGE >2.5-4.0 mm <sup>2</sup>	2.3 $\pm$ 0.15	-	PRESILVERED $\triangle$ 3	CuFe2	3-927829-5/1	A
		2.3 $\pm$ 0.15	-	PRETINNED	CuFe2	3-927829-1/1	A
		A	LP NO	FINISH	MATERIAL	PART NO.	REV

THIS DRAWING IS A CONTROLLED DOCUMENT.

DWN ATZMANN 06.01.94

CHK BARTOSCH 18.01.94

APVD Bleicher, M. 28.11.07

PRODUCT SPEC 108-18049-1

APPLICATION SPEC 114-18037

WEIGHT -

Customer Drawing

DIMENSIONS:  
mm

TOLERANCES UNLESS OTHERWISE SPECIFIED:

0 PLC	$\pm$	$\pm$ 0.2
1 PLC	$\pm$	
2 PLC	$\pm$	
3 PLC	$\pm$	
4 PLC	$\pm$	$\pm$ 1°
ANGLES	$\pm$	
FINISH	-	

MATERIAL -

FINISH -

TE Connectivity

NAME  
STANDARD POWER TIMER KONTAKT  
( Gerade Tulpe )

SIZE CAGE CODE DRAWING NO

A3 00779 C-964203

RESTRICTED TO

-

SCALE 5:1

SHEET 5 OF 10

REV 13

1470-19 (3/11)

THIS DRAWING IS UNPUBLISHED.

RELEASED FOR PUBLICATION

© COPYRIGHT -

ALL RIGHTS RESERVED.

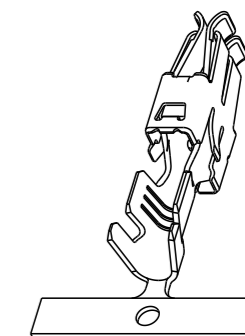
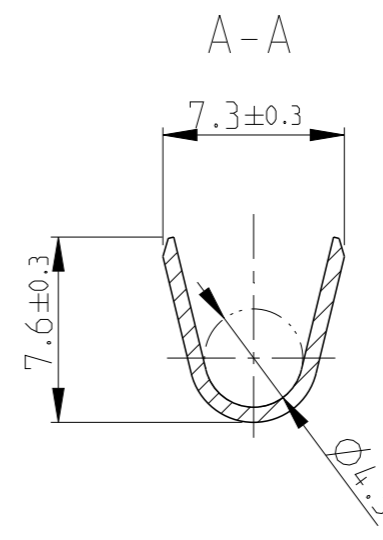
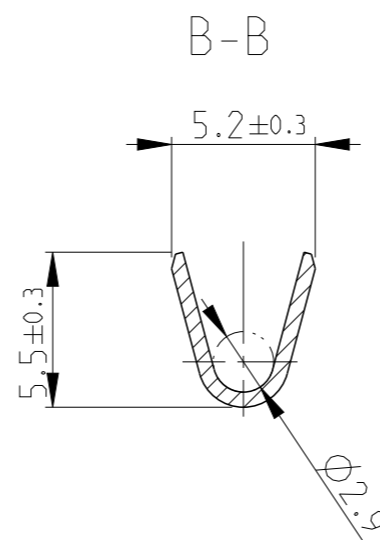
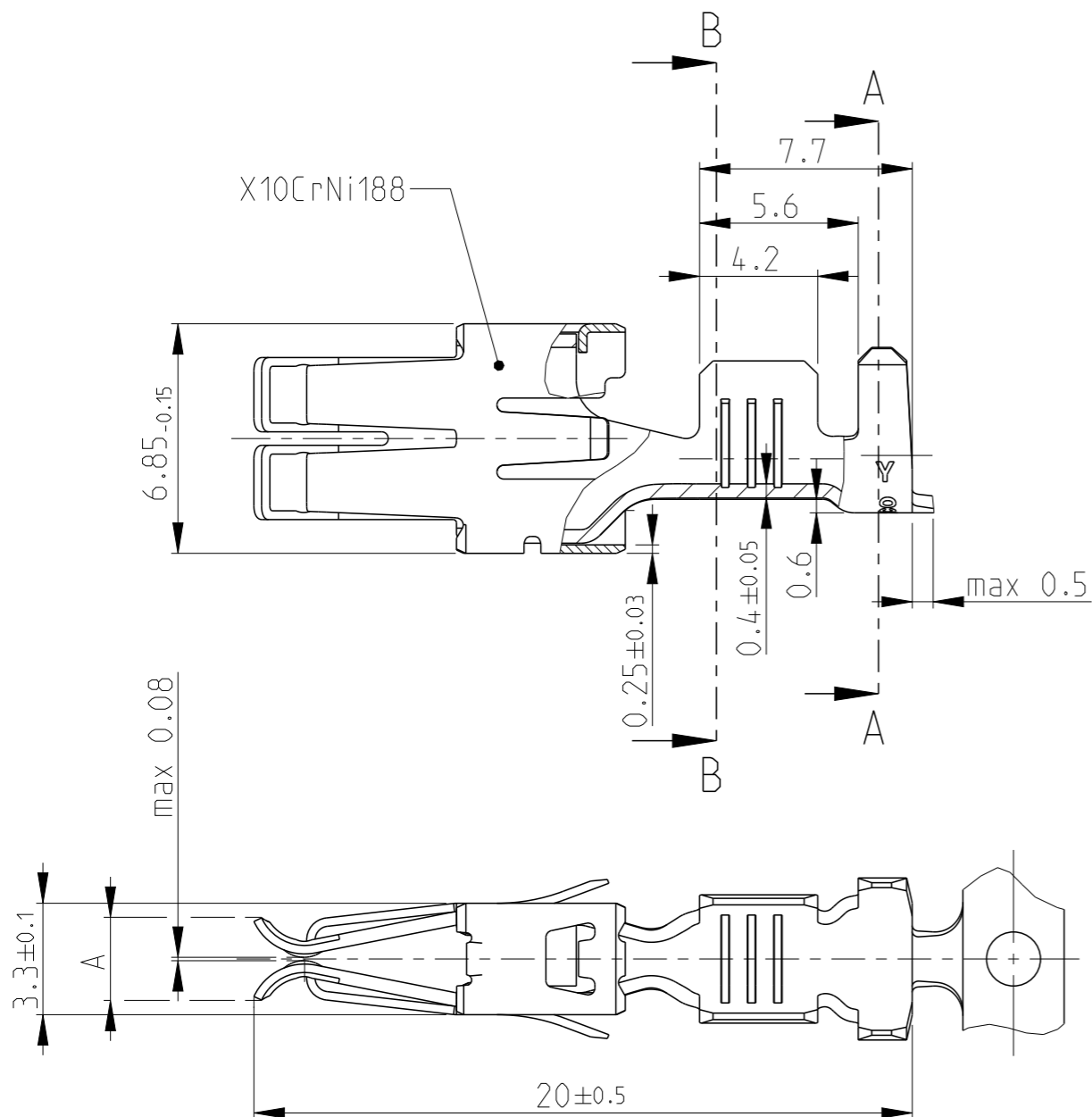
LOC  
A1

DIST  
-

REVISIONS

P	LTR	DESCRIPTION	DATE	DWN	APVD
-	-	SEE SHEET 1	-	-	-

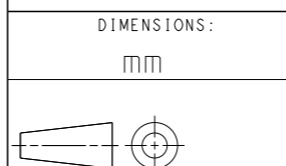
ONLY FOR 3-963709-1  
OTHER DIMENSIONS SEE SHEET 1



2:1

INSUL. RANGE $\phi$ 4.0-5.2 mm	WIRE RANGE 4.0-6.0 mm <sup>2</sup>	2.3 $\pm$ 0.15	-	PRETINNED	CuFe2	3-963709-1/1	A
A	A	LP NO	FINISH	MATERIAL	PART NO.	REV	

THIS DRAWING IS A CONTROLLED DOCUMENT.



MATERIAL -

DIMENSIONS: mm	TOLERANCES UNLESS OTHERWISE SPECIFIED:
0 PLC $\pm$	$\pm$ 0.2
1 PLC $\pm$	
2 PLC $\pm$	
3 PLC $\pm$	
4 PLC $\pm$	
ANGLES	$\pm$ 1°
FINISH	-

DWN ATZMANN	06.01.94
CHK BARTOSCH	18.01.94
APVD Bleicher, M.	28.11.07
PRODUCT SPEC	108-18049-1
APPLICATION SPEC	114-18037
WEIGHT	-

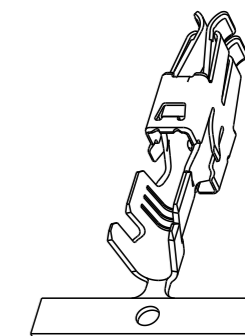
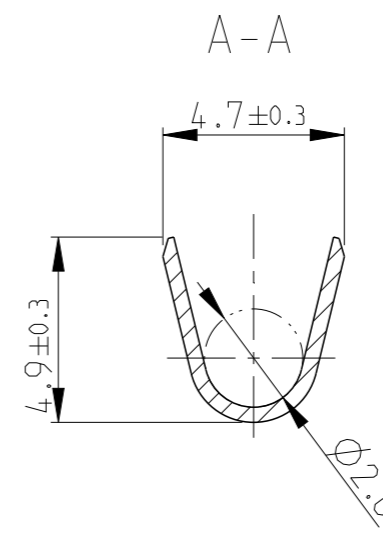
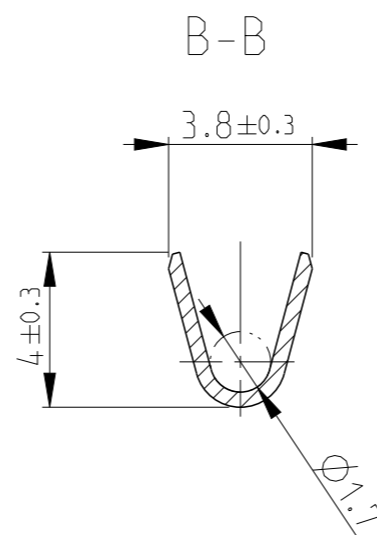
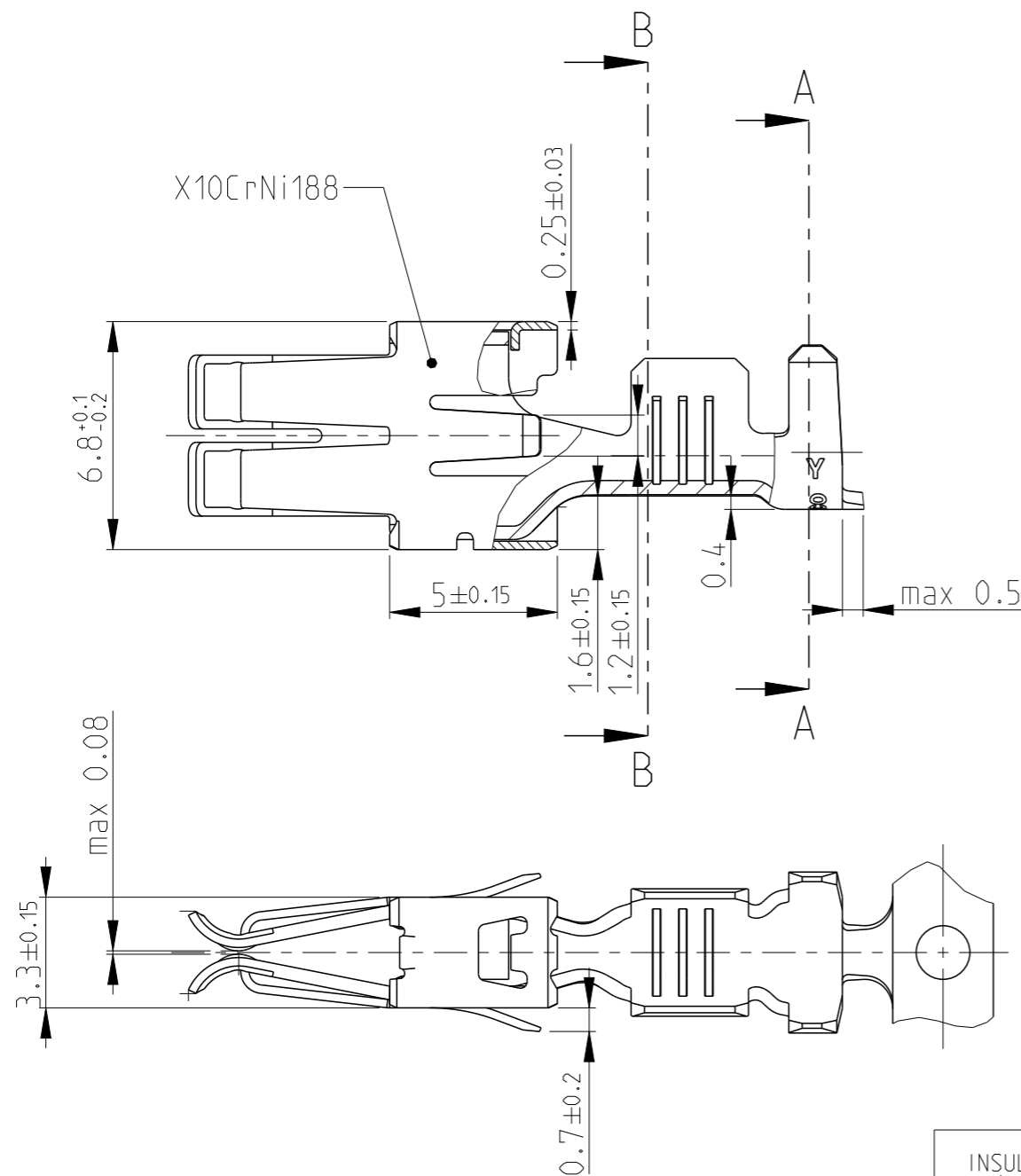


NAME STANDARD POWER TIMER KONTAKT ( Gerade Tulpe )			
SIZE A3	CAGE CODE 00779	DRAWING NO C=964203	RESTRICTED TO -

Customer Drawing	SCALE 5:1	SHEET 6	OF 10	REV 13
------------------	--------------	------------	----------	-----------

P	LTR	DESCRIPTION	DATE	DWN	APVD
-	-	SEE SHEET 1	-	-	-

ONLY FOR 3-964326-1  
OTHER DIMENSIONS SEE SHEET 1



2:1

INSUL. RANGE Ø2.2-3.0 mm	WIRE RANGE >1.0-2.5 mm <sup>2</sup>
--------------------------------	---

THIS DRAWING IS A CONTROLLED DOCUMENT.

DIMENSIONS: mm	TOLERANCES UNLESS OTHERWISE SPECIFIED: ±0.2
	0 PLC ± 1 PLC ± 2 PLC ± 3 PLC ± 4 PLC ± ANGLES ±1°
MATERIAL -	FINISH -

-	PRETINNED	CuFe2	3-964326-1/1	A
LP NO	FINISH	MATERIAL	PART NO.	REV
DWN ATZMANN 06.01.94	CHK BARTOSCH 18.01.94	APVD Bleicher, M. 28.11.07	NAME STANDARD POWER TIMER KONTAKT ( Gerade Tulpe )	
PRODUCT SPEC 108-18049-1	APPLICATION SPEC 114-18037	WEIGHT -	SIZE A3	CAGE CODE 00779
Customer Drawing		SCALE 5:1	DRAWING NO C=964203	RESTRICTED TO -
		SHEET 7	OF 10	REV 13



THIS DRAWING IS UNPUBLISHED.

RELEASED FOR PUBLICATION

© COPYRIGHT -

ALL RIGHTS RESERVED.

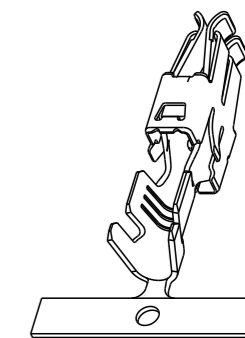
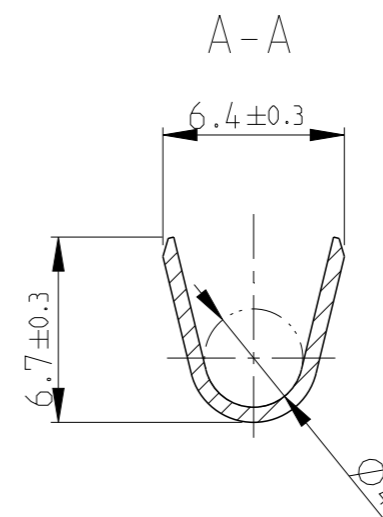
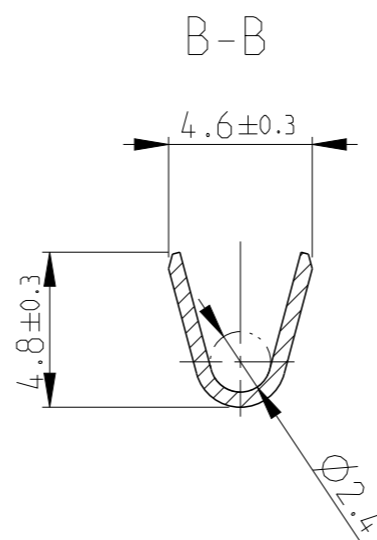
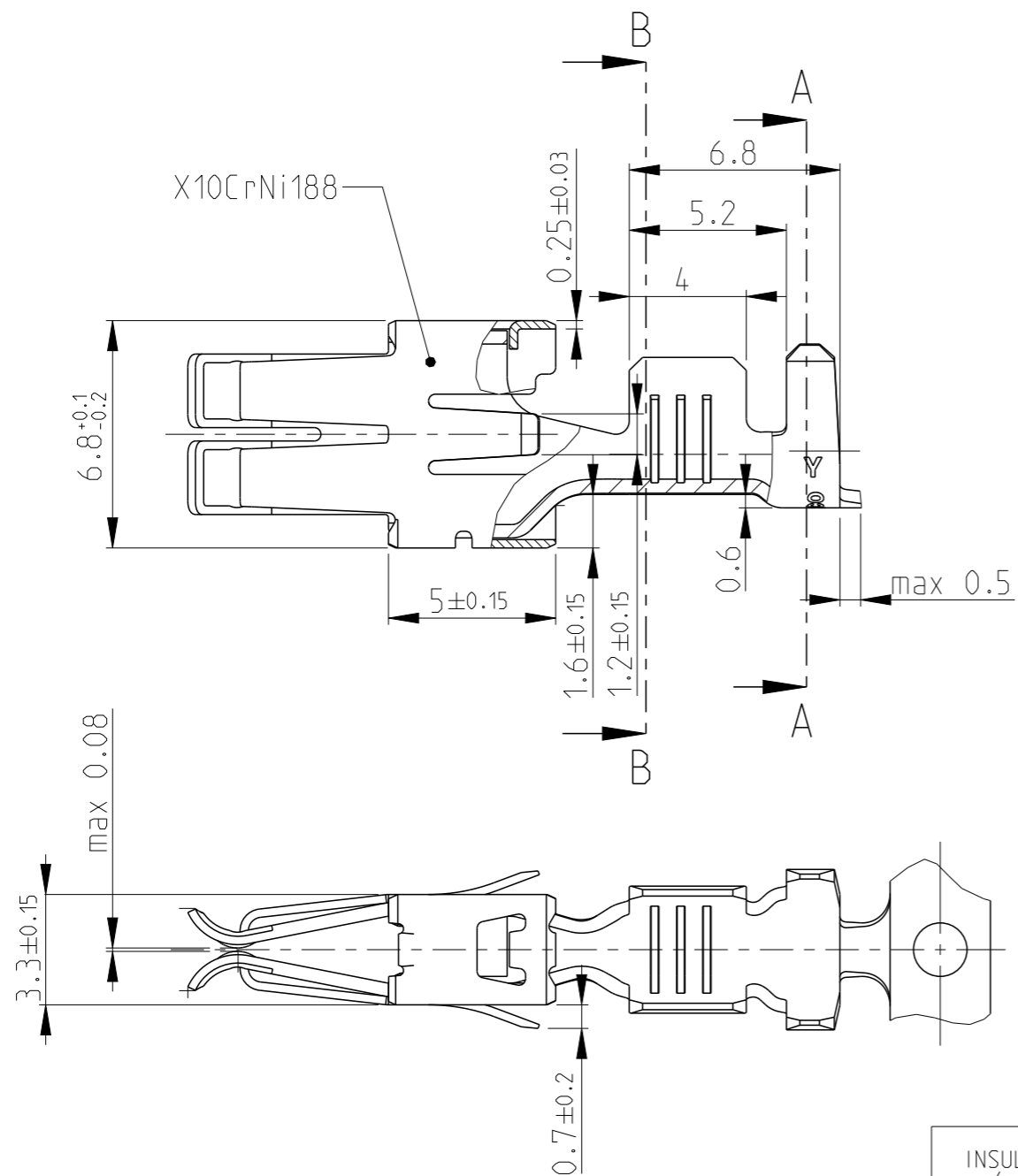
LOC  
A1

DIST  
-

REVISIONS

P	LTR	DESCRIPTION	DATE	DWN	APVD
-	-	SEE SHEET 1	-	-	-

ONLY FOR 3-964328-1  
OTHER DIMENSIONS SEE SHEET 1



2:1

INSUL. RANGE Ø3.3-4.5 mm	WIRE RANGE >2.5-4.0 mm <sup>2</sup>
--------------------------------	---

THIS DRAWING IS A CONTROLLED DOCUMENT.

DIMENSIONS: mm	TOLERANCES UNLESS OTHERWISE SPECIFIED: ±0.2
	0 PLC ±
	1 PLC ±
	2 PLC ±
	3 PLC ±
	4 PLC ±
	ANGLES ±1°
MATERIAL -	FINISH -

-	PRETINNED	CuFe2	<del>3-964328-1</del> 1	A
LP NO	FINISH	MATERIAL	PART NO.	REV

DWN ATZMANN	06.01.94
CHK BARTOSCH	18.01.94
APVD Bleicher, M.	28.11.07
PRODUCT SPEC	108-18049-1
APPLICATION SPEC	114-18037
WEIGHT	-



NAME STANDARD POWER TIMER KONTAKT ( Gerade Tulpe )			
SIZE A3	CAGE CODE 00779	DRAWING NO G-964203	RESTRICTED TO -

Customer Drawing	SCALE 5:1	SHEET 8	OF 10	REV 13
------------------	--------------	------------	----------	-----------



THIS DRAWING IS UNPUBLISHED.

RELEASED FOR PUBLICATION

© COPYRIGHT -

ALL RIGHTS RESERVED.

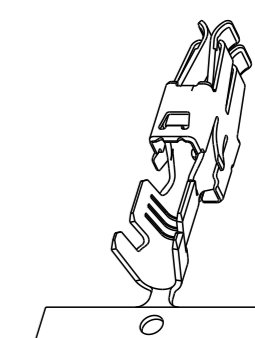
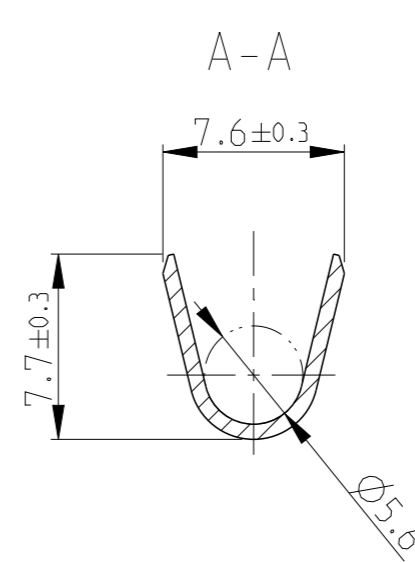
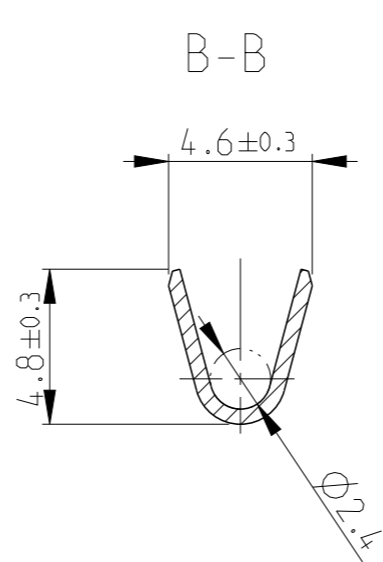
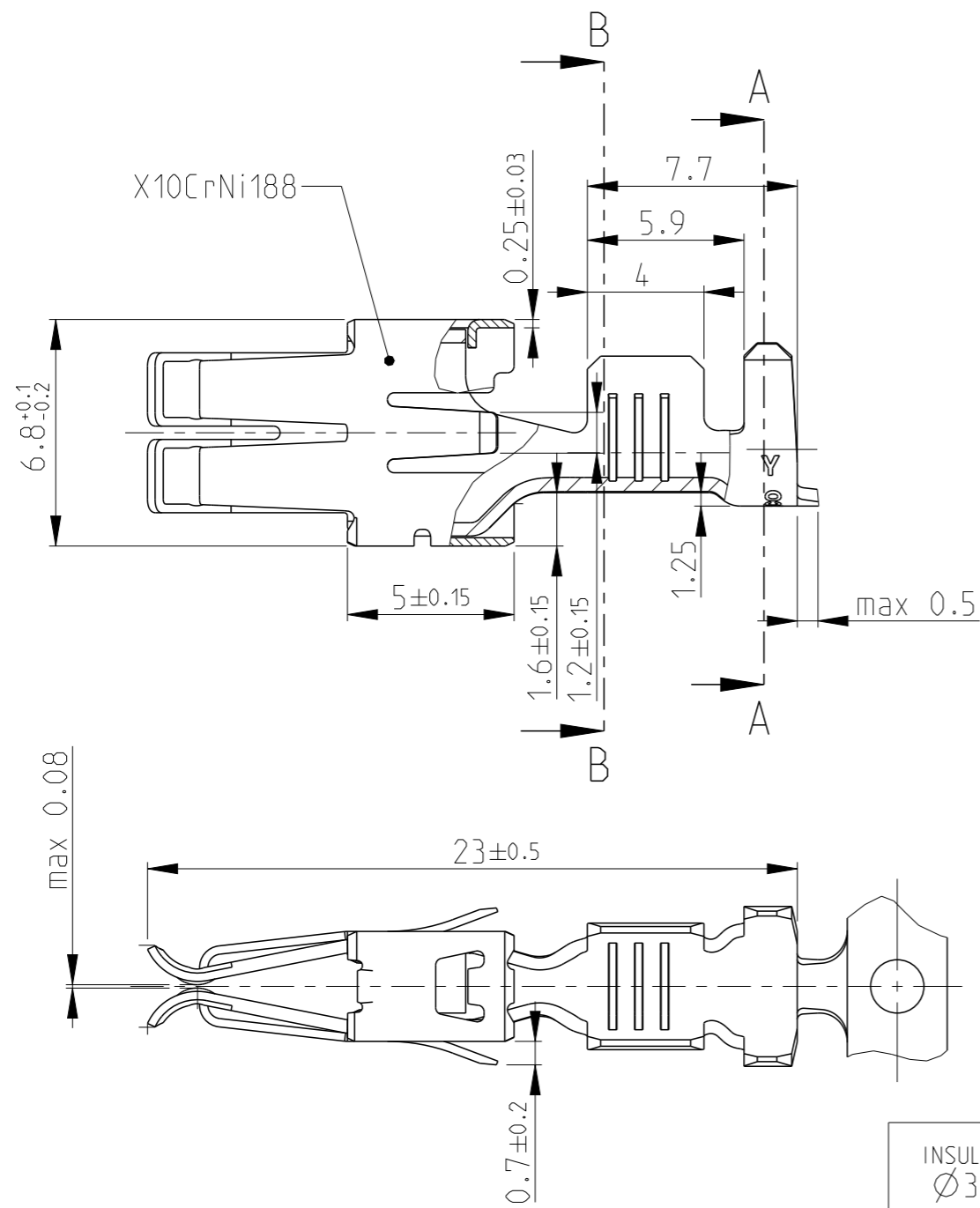
LOC  
A1

DIST  
-

REVISIONS

P	LTR	DESCRIPTION	DATE	DWN	APVD
-	-	SEE SHEET 1	-	-	-

ONLY FOR 3-968037-2  
OTHER DIMENSIONS SEE SHEET 1



2:1

INSUL. RANGE Ø3.4-3.7 mm	WIRE RANGE >2.5-4.0 mm <sup>2</sup>
--------------------------------	---

THIS DRAWING IS A CONTROLLED DOCUMENT.

DIMENSIONS: mm	TOLERANCES UNLESS OTHERWISE SPECIFIED: ±0.2
	0 PLC ± 1 PLC ± 2 PLC ± 3 PLC ± 4 PLC ± ANGLES ±1°
MATERIAL -	FINISH -

-	PRETINNED	CuSn4	<del>3-968037-2</del> 1	A
LP NO	FINISH	MATERIAL	PART NO.	REV
DWN ATZMANN 06.01.94	CHK BARTOSCH 18.01.94	APVD Bleicher, M. 28.11.07	NAME STANDARD POWER TIMER KONTAKT ( Gerade Tulpe )	
PRODUCT SPEC 108-18049-1	APPLICATION SPEC 114-18037	WEIGHT -	SIZE A3	CAGE CODE 00779
Customer Drawing		SCALE 5:1	DRAWING NO C=964203	RESTRICTED TO -
		SHEET 9	OF 10	REV 13



THIS DRAWING IS UNPUBLISHED.

RELEASED FOR PUBLICATION

© COPYRIGHT -

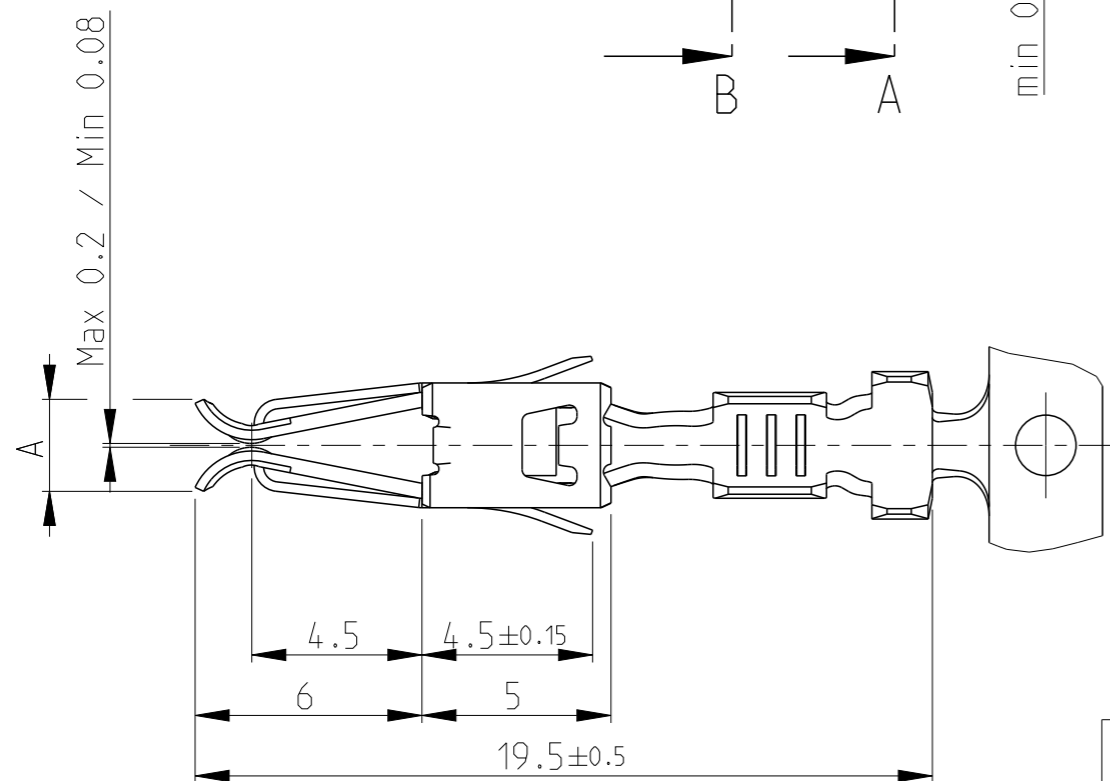
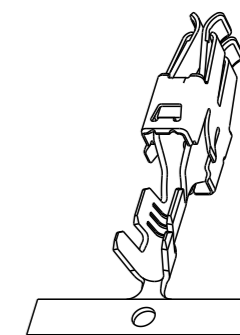
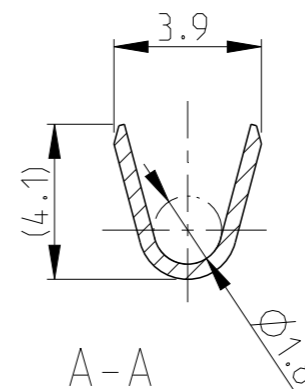
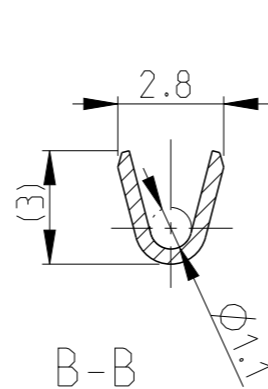
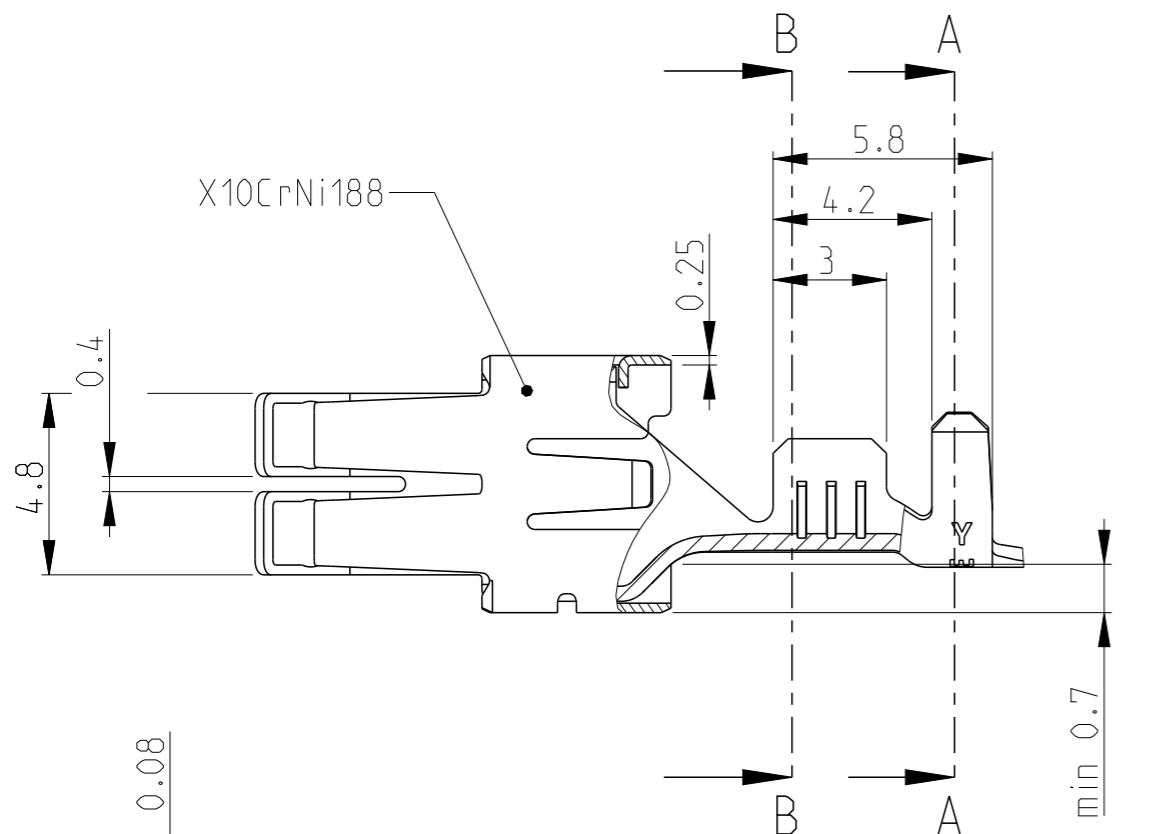
ALL RIGHTS RESERVED.

LOC  
A1

DIST  
-

REVISIONS

P	LTR	DESCRIPTION	DATE	DWN	APVD
-	-	SEE SHEET 1	-	-	-



INSUL. RANGE $\phi 1.4-2.3$ mm	WIRE RANGE 0.5-1.0 mm <sup>2</sup>
--------------------------------------	--

2.5	vorversilbert/PRESILVERED 1-1.5 $\mu$ m	CuSn4	$\triangle 2$ 1-964203-4
A	FINISH	MATERIAL	PART NO.

THIS DRAWING IS A CONTROLLED DOCUMENT.

DWN ATZMANN 06.01.94

CHK BARTOSCH 18.01.94

APVD Bleicher, M. 28.11.07

PRODUCT SPEC 108-18049-1

APPLICATION SPEC 114-18037

WEIGHT -

Customer Drawing

**STE** TE Connectivity

NAME STANDARD POWER TIMER KONTAKT ( Gerade Tulpe )

SIZE CAGE CODE DRAWING NO RESTRICTED TO

A3 00779 C-964203

SCALE 5:1 SHEET 10 OF 10 REV 13

DIMENSIONS: mm	TOLERANCES UNLESS OTHERWISE SPECIFIED: $\pm 0.2$
	0 PLC $\pm$ 1 PLC $\pm$ 2 PLC $\pm$ 3 PLC $\pm$ 4 PLC $\pm$ ANGLES $\pm 1^\circ$
MATERIAL -	FINISH -