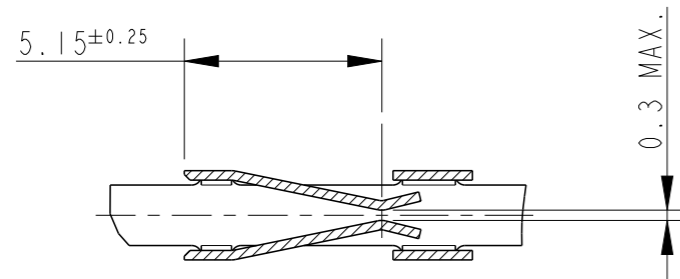
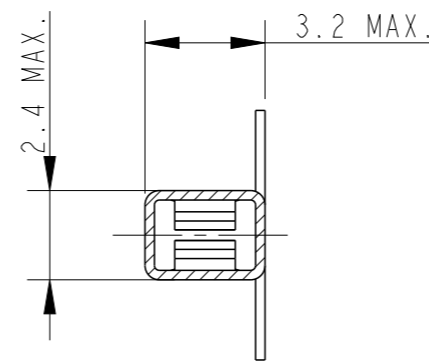
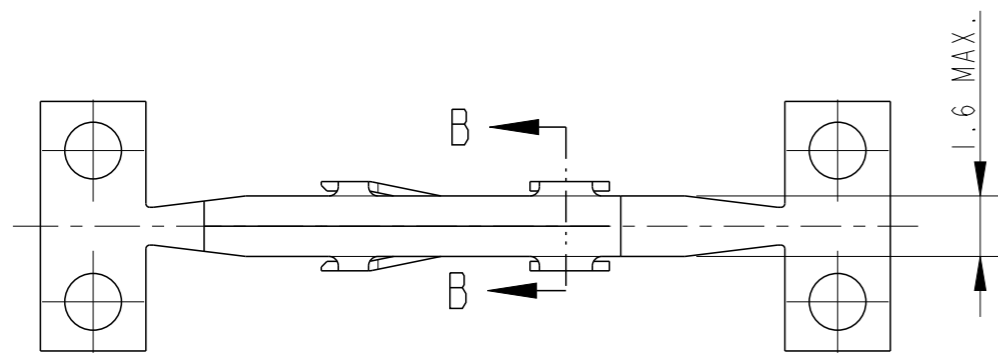


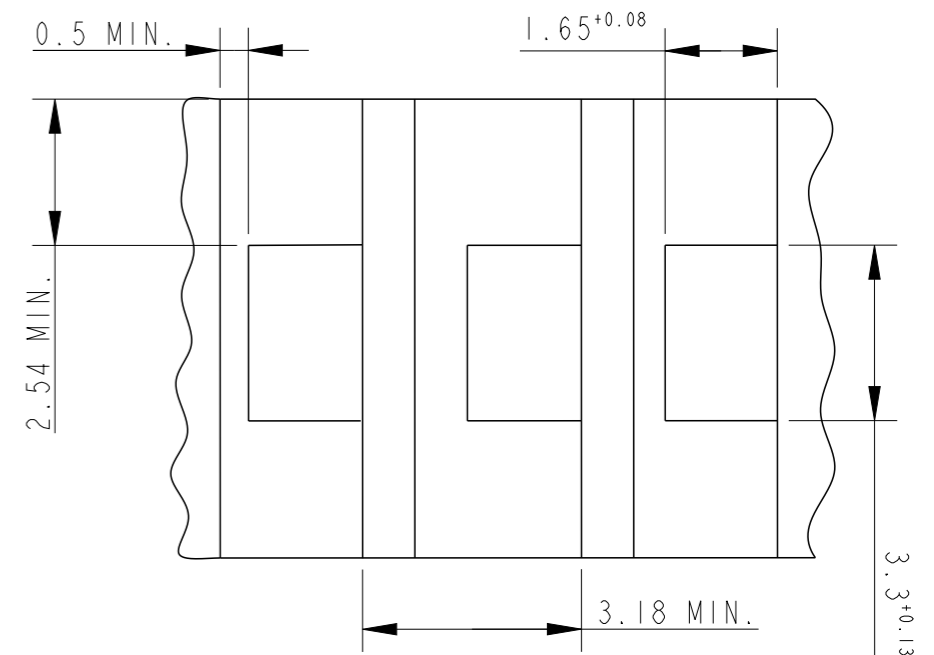
P	LTR	DESCRIPTION	DATE	DWN	APVD
B		Format geändert, -2 neu hinzu	12DEC1991	U.L	-
B1		1- -1 neu hinzu, ohneLötstoppschicht	17JUN1993	M.W	-
B2		REVISED PER ECO-09-026444	28NOV2009	KK	-
C		PN 963846-1 IS WITHOUT SOLDER REPELLENT COATING	28JUN2024	AR	VG



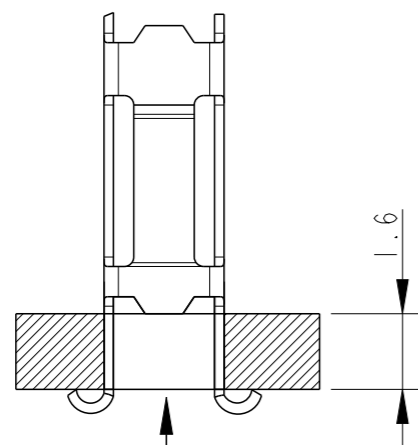
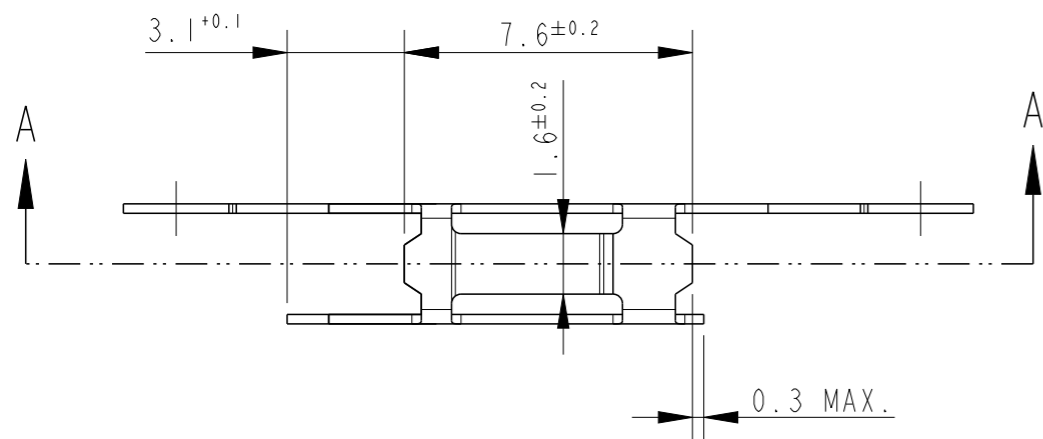
SECTION A-A



SECTION B-B



TOL. OF ANY PITCHES TO EACH OTHER MOUNTING HOLES IN THE PRINTED CIRCUIT BOARD



PIN INSERTION DIRECTION

NOTES:

⚠ OBSOLETE PARTS: OBSOLETE CIS STREAMLINING PER D.RENAUD/D.SINISI

⚠	OBSOLETE	<del>963846-1</del>	PHOSPHOR BRONZE 0.25	PRE-TINNING
⚠	OBSOLETE	<del>963846-2</del>	PHOSPHOR BRONZE 0.25	PRE-SILVER-PLATED WITH SOLDER STOP ZONE
		963846-1	PHOSPHOR BRONZE 0.25	PRE-TINNED
		PART NO.	MATERIAL	SURFACE

THIS DRAWING IS A CONTROLLED DOCUMENT.		DWN	06DEC1991		
		CHK	U. Lehnert		
		CHK	J. Ryll		
		APVD	-	NAME	
		PRODUCT SPEC	-	AMP MODU 1	
		APPLICATION SPEC	-	FEMALE CONTACT (VERTICAL)	
		WEIGHT	-	SIZE	RESTRICTED TO
		CUSTOMER DRAWING	-	A3	-
		SCALE	5:1	CAGE CODE	00779
		SHEET	1 OF 1	DRAWING NO	963846
		REV	C		