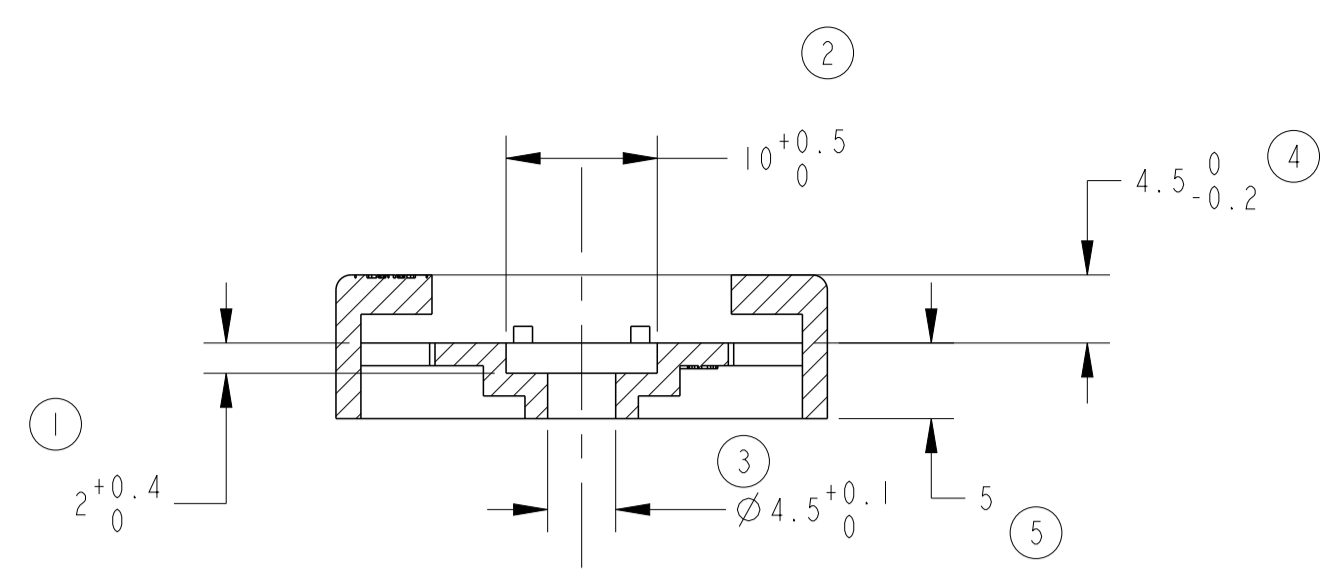
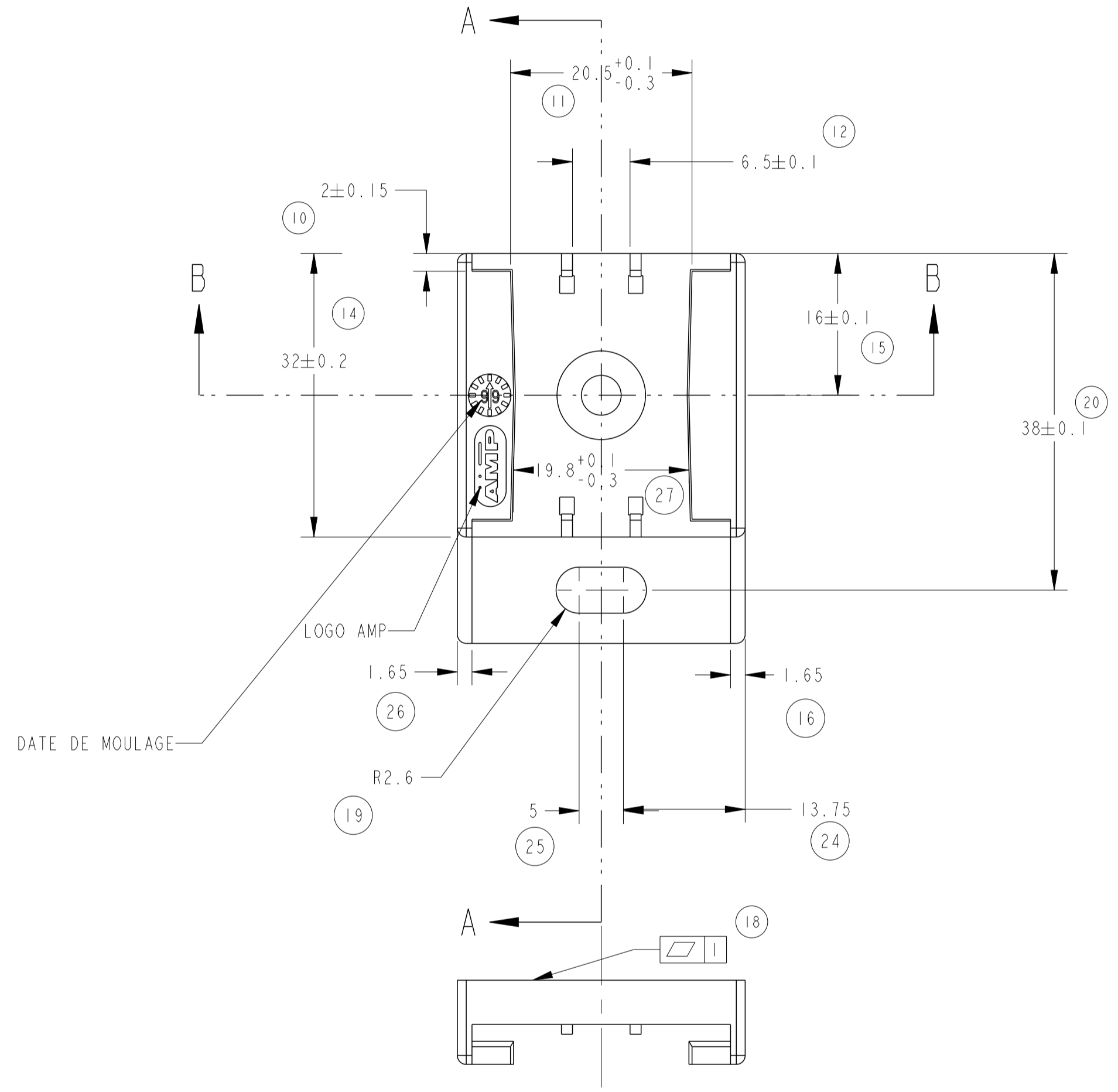
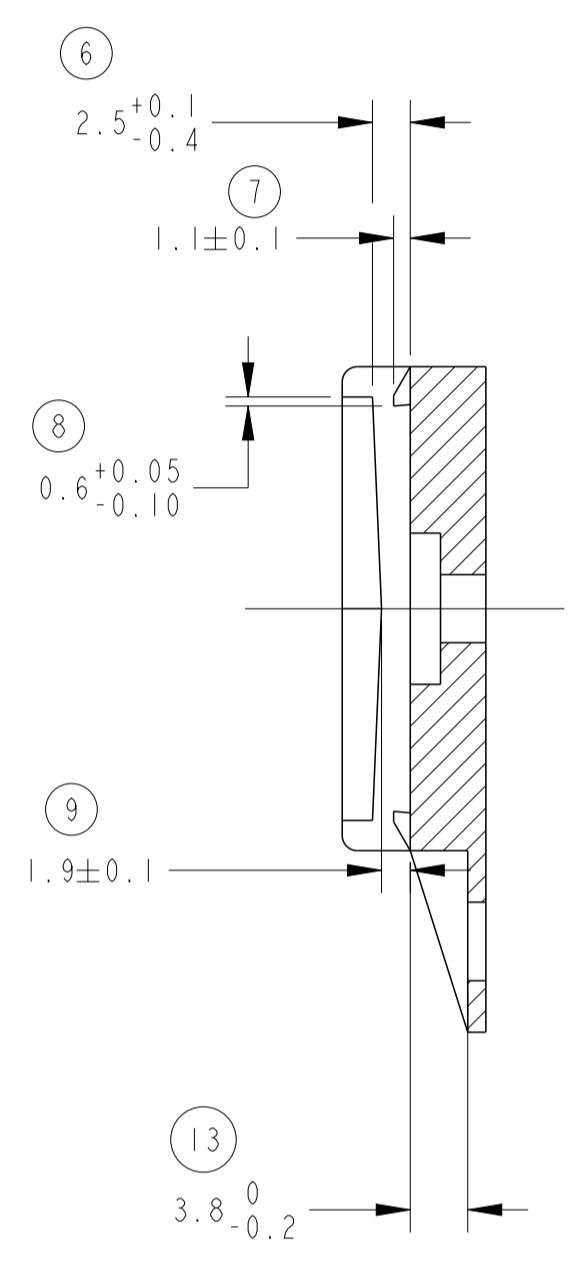


LOC		DIST		REVISIONS			
F	14	P	LTM	DESCRIPTION	DATE	DWN	APVD
		A		mise en conforme tolerance	25JAN2013	CS	JPP
		B		Supprimer texte "logo Renault"	21MAY2014	CS	JPP

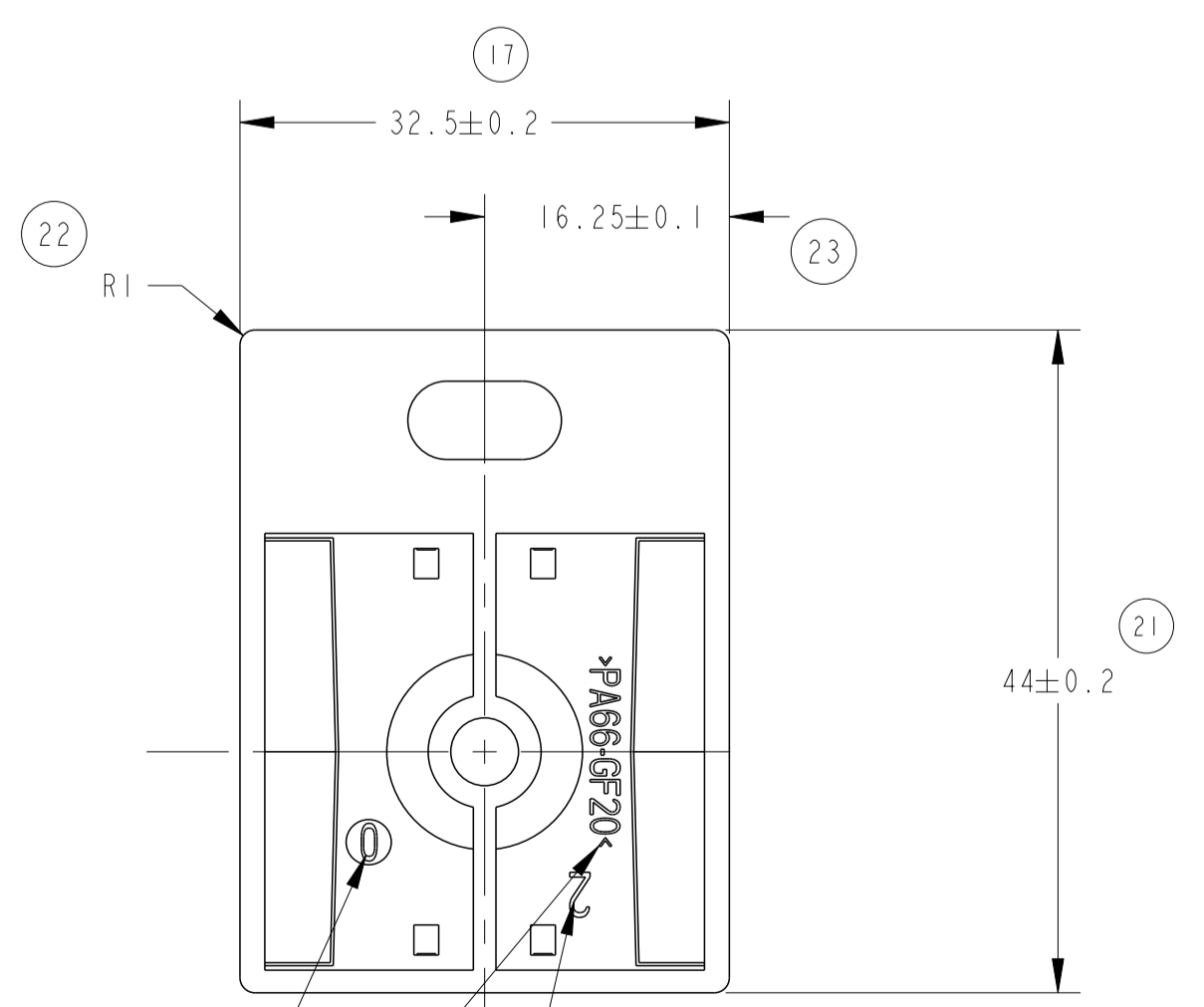
COUPE B-B



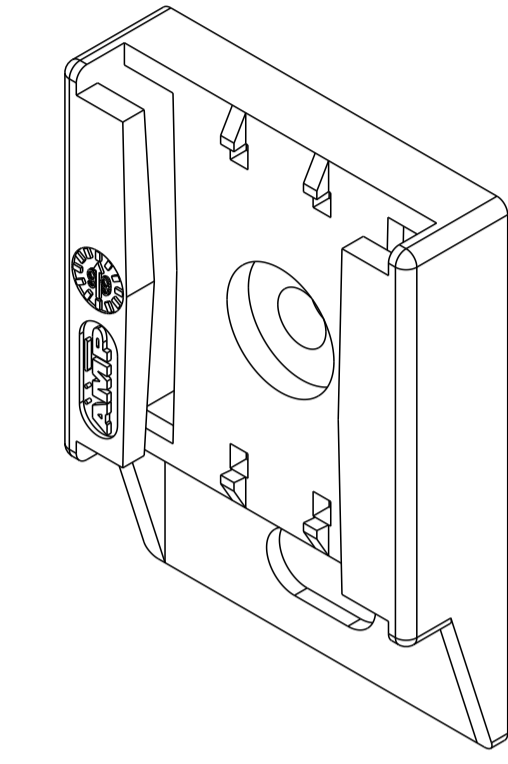
COUPE A-A



LOGO AMP  
 DATE DE MOULAGE



INDICE DE REVISION DE LA PIECE  
 MATIERE  
 NUMERO D'EMPREINTE



ECHELLE 2:1

953653-2

THIS DRAWING IS A CONTROLLED DOCUMENT.		DWN R. PATIN 23-OCT-98	TE Connectivity
DIMENSIONS: mm		CHK JP. PICAUD 3-FEB-99	
TOLERANCES UNLESS OTHERWISE SPECIFIED:		APVD JJ. REVILL 3-FEB-99	NAME
3. PLC ± 2. PLC ±0.2 1. PLC ± 4. PLC ±		PRODUCT SPEC	FIXATION POUR SUPPORT RELAIS
ANGLES FINISH ±5° NOIR		APPLICATION SPEC	SIZE
MATERIAL PA6.6 20XF.V		WEIGHT 4 g	CAGE CODE DRAWING NO
CUSTOMER DRAWING		SCALE 2:1	RESTRICTED TO