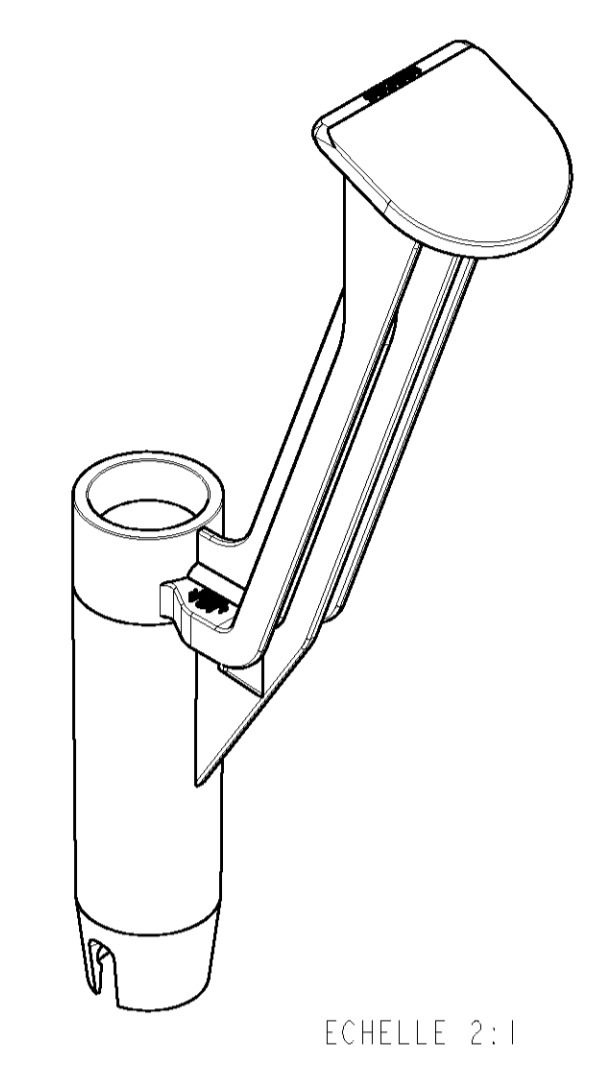
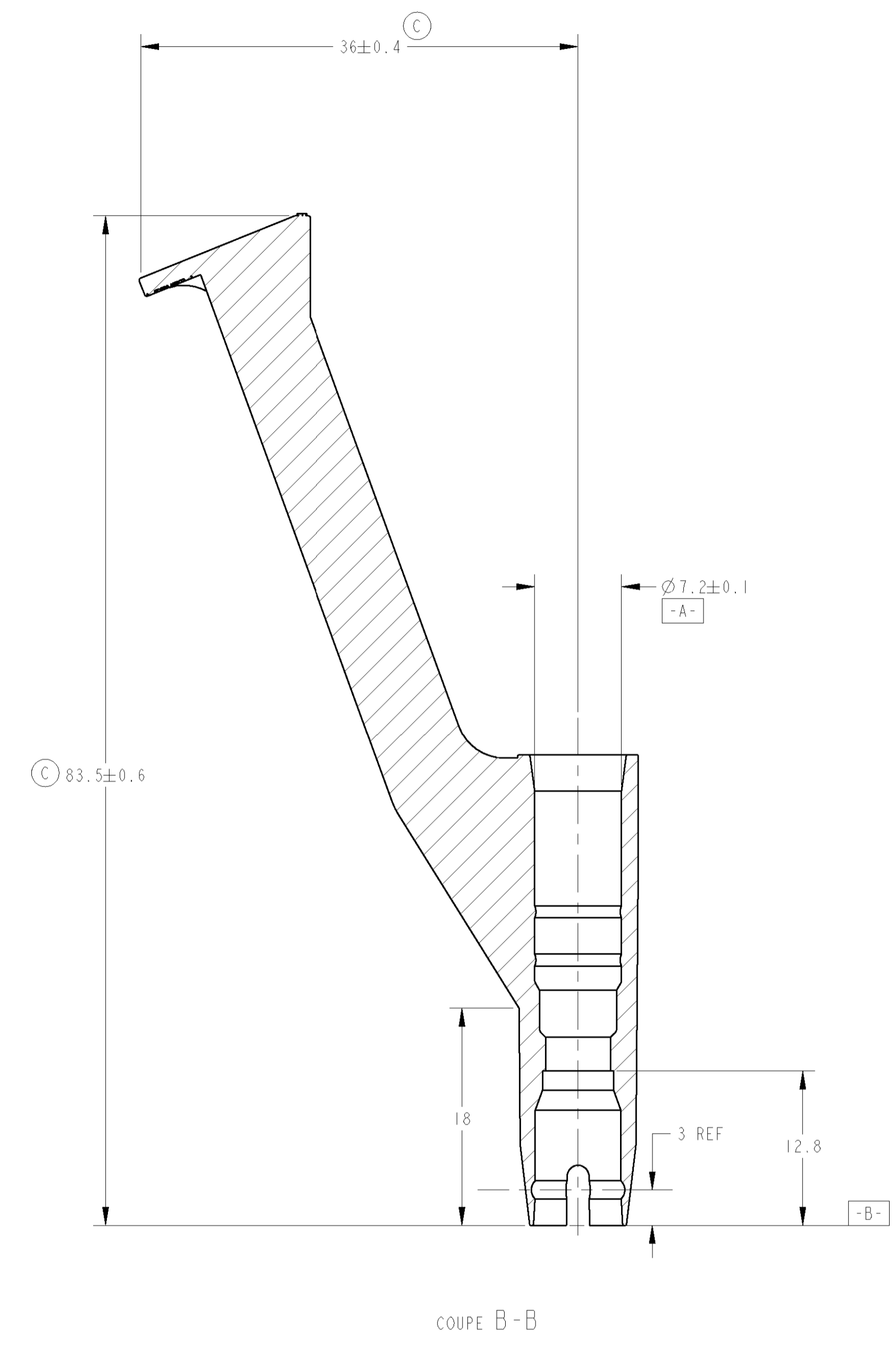
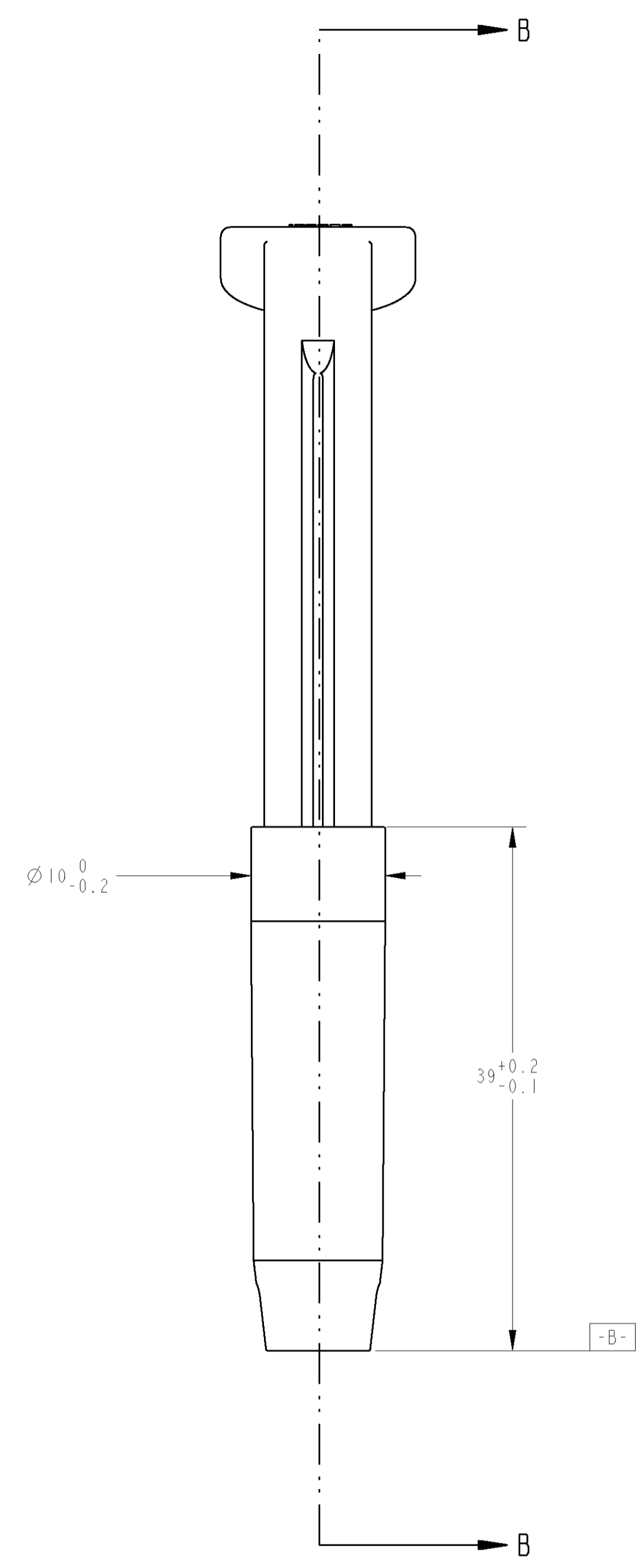
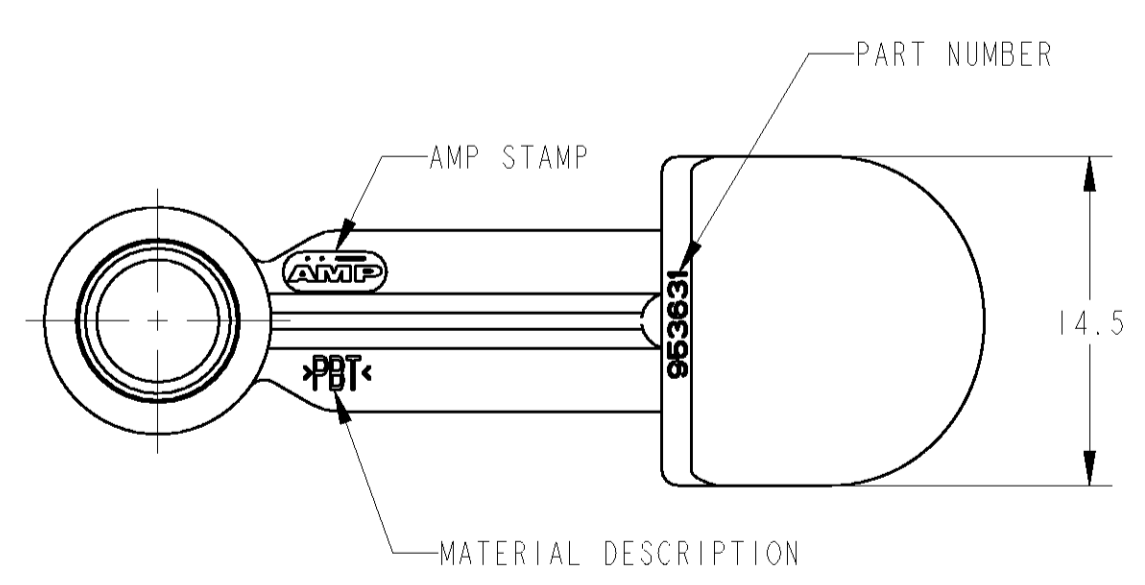
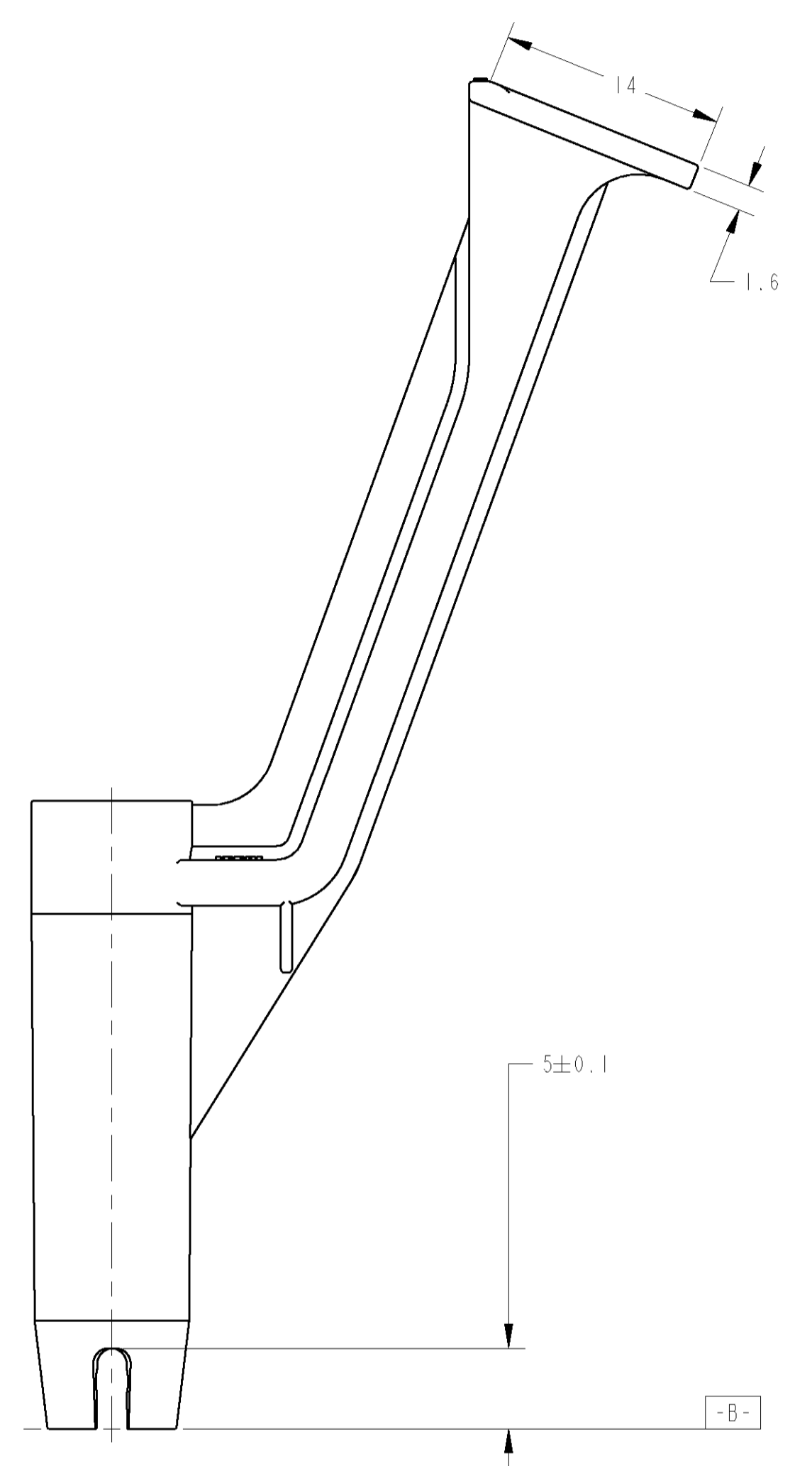
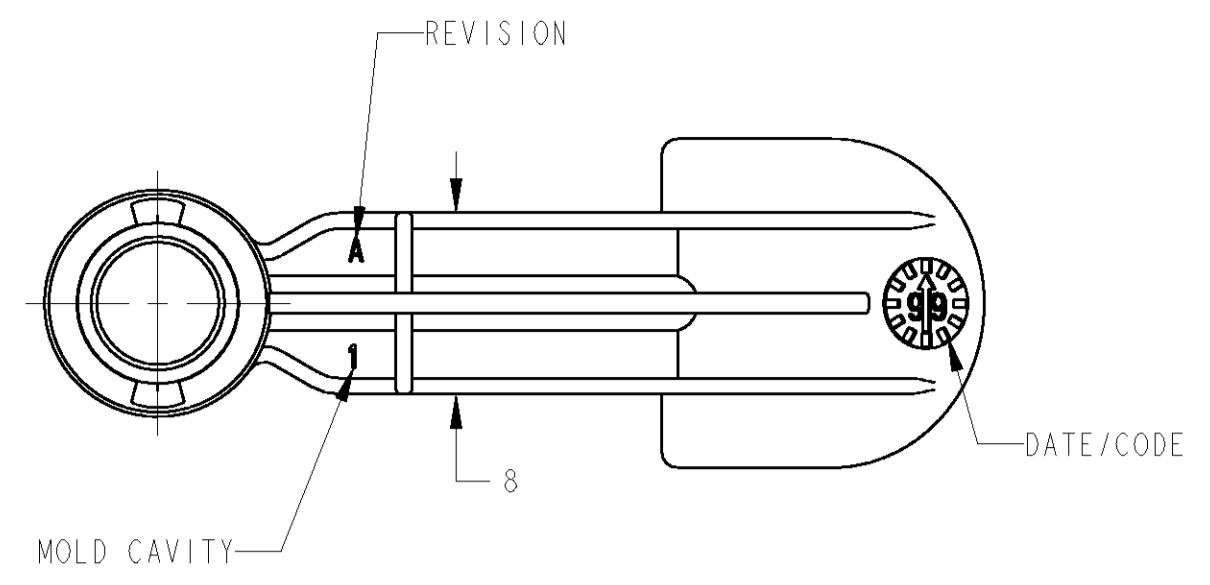


LOC	DIST	REVISIONS					
F	7	P	LTR	DESCRIPTION	DATE	DWN	APVD
		A		RIB ADDED	11FEB2000	SR	JJR
		B		CAVITY MOVING	30OCT2001	SR	JJR
		C		TOLERANCES CHANGE	01OCT2004	AR	JPP
		D		CORRECTION ERROR REF. CONTACT	07DEC2004	FJ	JPP



ASSOCIATED COMPONENTS					
PART NUMBER	DESCRIPTION				
963244-1	SEAL (insulation Ø2.2 - 3mm)				
963245-1	SEAL (insulation Ø3.1 - 3.7mm)				
962956-1	SOCKET CONTACT Ø4MM				
953631-1	A	BLACK	PBT	HOUSING	3.4 g
PART NUMBER	PART REVISION CODE	FINISH	MATERIAL	DESCRIPTION	WEIGHT

EXTRACTION TOOL	
DESCRIPTION	PART NUMBER
EXTRACTION TOOL	965700-1
SPARE BLADE	965701-1

DIMENSIONS: mm		TOLERANCES UNLESS OTHERWISE SPECIFIED:		DWN: S. RONOT 14DEC99	AMP DE FRANCE 95301 PONTOISE
MATERIAL: SEE TABLE		FINISH: SEE TABLE		CHK: F. JODON 14DEC99	
APVD: J. REVILL 14DEC99		APVD: J. REVILL 14DEC99		NAME: IW HOUSING FOR GLOW PLUG 39RC VERSION	
APPLICATION SPEC: 411-15605		APPLICATION SPEC: 108-15194		SIZE: CAGE CODE: DRAWING NO: 00779 C=953631	
CUSTOMER DRAWING				WEIGHT: SEE TABLE	RESTRICTED TO: -
SCALE: 3:1				SHEET: 1 OF 1	REV: D