

4

3

2

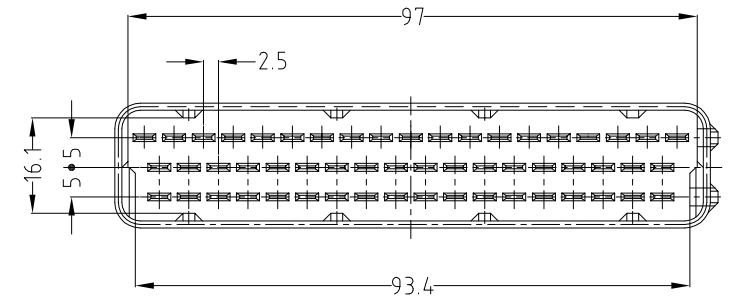
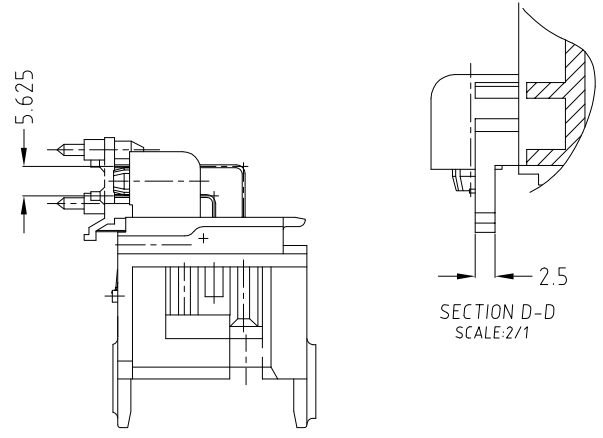
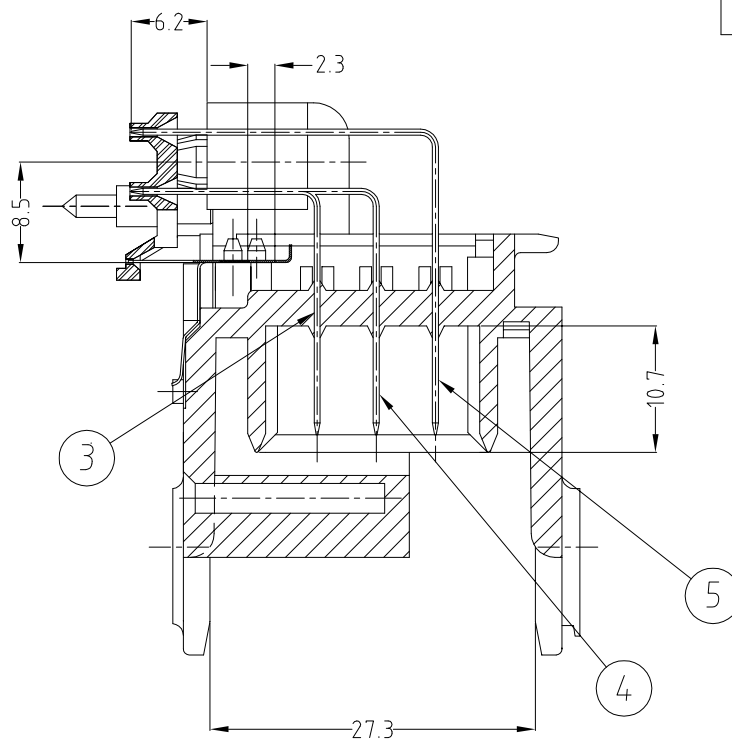
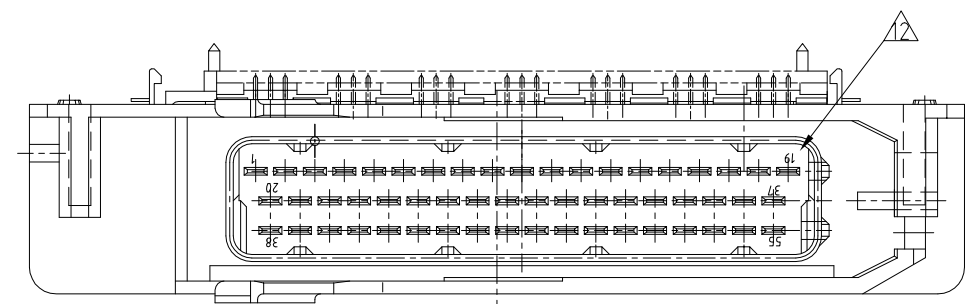
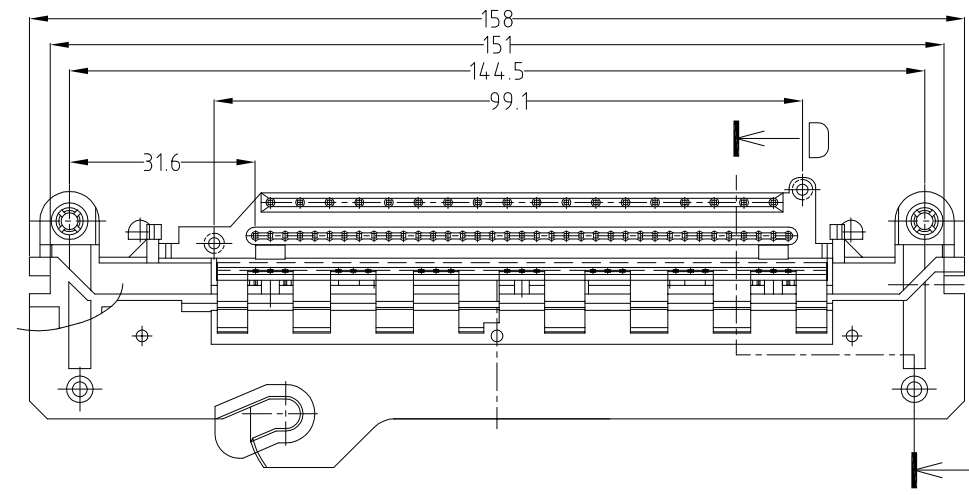
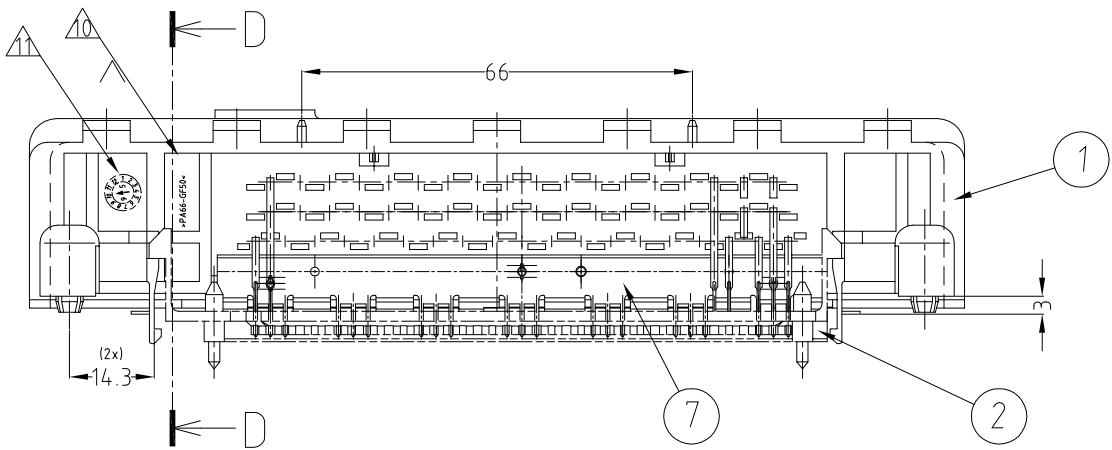
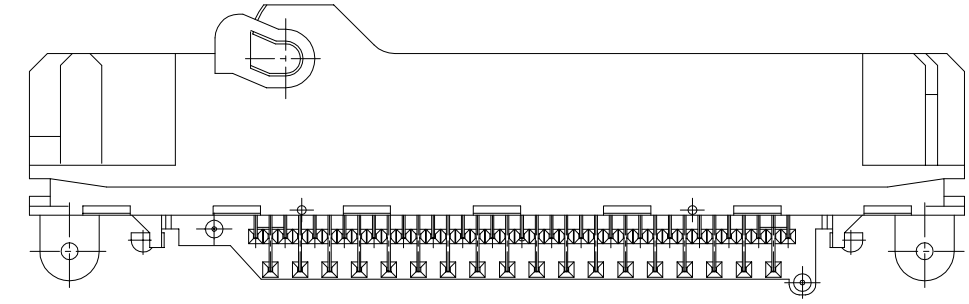
1

THIS DRAWING IS UNPUBLISHED. RELEASED FOR PUBLICATION

© COPYRIGHT BY TYCO ELECTRONICS CORPORATION, ALL RIGHTS RESERVED.

REVISIONS

P	LTR	DESCRIPTION	DATE	DWN	APVD
	□	RELEASED (FC00-0111-03)	08.AUG.03	JW	CS
	A	REVISED (ECR-05-009663)	23.AUG.05	YH	JK
	A1	REVISED (ECR-06-012837)	29.MAY.06	YH	JK
	A2	REVISED (ECR-07-013662)	08.JUN.07	BS	JK



NOTES.

1. AVOID ANY DEFECT : BURR, FRACTURE, CHIP
 2. PARTITION BURR : H= 0.2MAX, T= 0.1 MAX
 3. NO FOREIGN MATERIAL IN PLASTIC
 4. MARKED VENDOR NO. ON CONNECTOR
 5. WITHSTAND VOLTAGE IN BLADE TERMINAL : 1000V/ 1sec
 6. UNSPECIFIED R, RECTANGULAR EDGE: R= 0.3
 7. FINISH OF BLADE TERMINAL : ELECTRODEPOSITED Sn 1~4 μm
 8. EXTRACTION FORCE : 50N MIN AT 25°
 9. DRAFT ANGLE : MAX 1°
- ▲ RECYCLE MARKING
 ▲ DATE CODE
 ▲ CIRCUIT NO.

NO	DESCRIPTION	PART NO.	MATERIAL	COLOR/FINISH	ASS'Y FOR Q'TY
6	SHIELD PLATE	0-936885-1 OR 0-1743947-1	CuSn6	Sn PLATING (Bright) 8~12 μm	1 1
5	TAB(LONG)	1-368030-6	BRASS T-4	▲	18 18
4	TAN(MIDDLE)	1-368030-4	BRASS T-4	▲	18 18
3	TAB(SHORT)	1-368030-2	BRASS T-4	▲	19 19
2	JOINTER HOUSING	0-85270-1	PA66 GF50	NATURAL	1 1
1	HEADER HOUSING	0-85269-2	PA66 GF50	BLACK	1 1

THIS DRAWING IS A CONTROLLED DOCUMENT FOR TYCO ELECTRONICS CORPORATION IT IS SUBJECT TO CHANGE AND THE CONTROLLING ENGINEERING ORGANIZATION SHOULD BE CONTACTED FOR THE LATEST REVISION.

DIMENSIONS: MM	TOLERANCES UNLESS OTHERWISE SPECIFIED: 0 <XX<10 ± 0.2 10<XX<30 ± 0.25 30<XX ± 0.3 ANGLES ± 3°
3rd ANGLE PROJECTION	
MATERIAL SEE NOTE.	FINISH SEE NOTE.

DWN BS YOO	NAME
CHK YM CHOI	JR TIMER 55P HEADER ASS'Y (M-3 TYPE)
APVD JK SONG	SIZE
PRODUCT SPEC	CAGE CODE
APPLICATION SPEC	DRAWING NO
WEIGHT	RESTRICTED TO
CUSTOMER DRAWING	A3 00779 © 936556

TE TE Connectivity

SCALE 1/1 SHEET 1 OF 1 REV A2

FOR CHINA MANUFACTURING(F47)	REMARK
1-936556-1	
0-936556-1	
ASS'Y P/N	