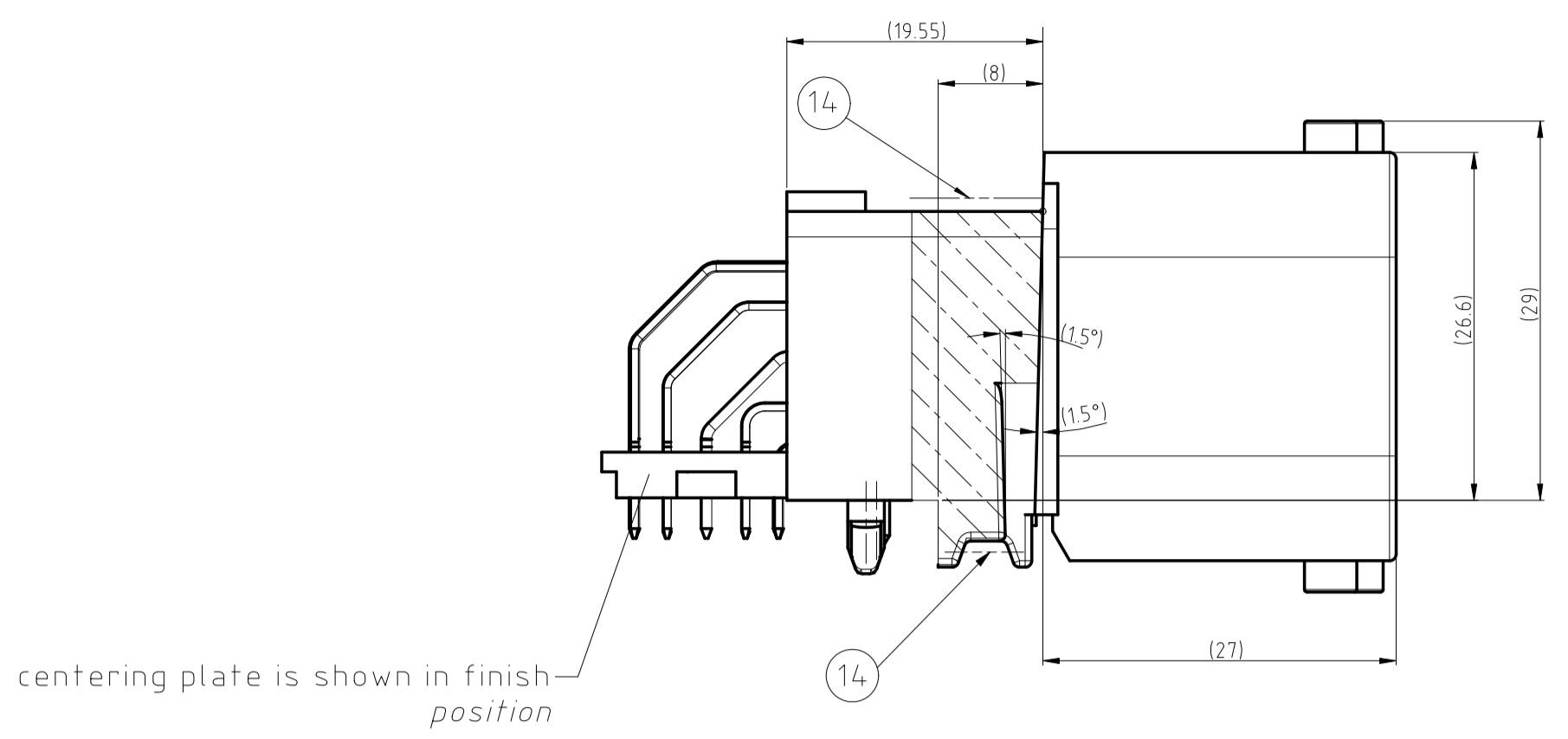
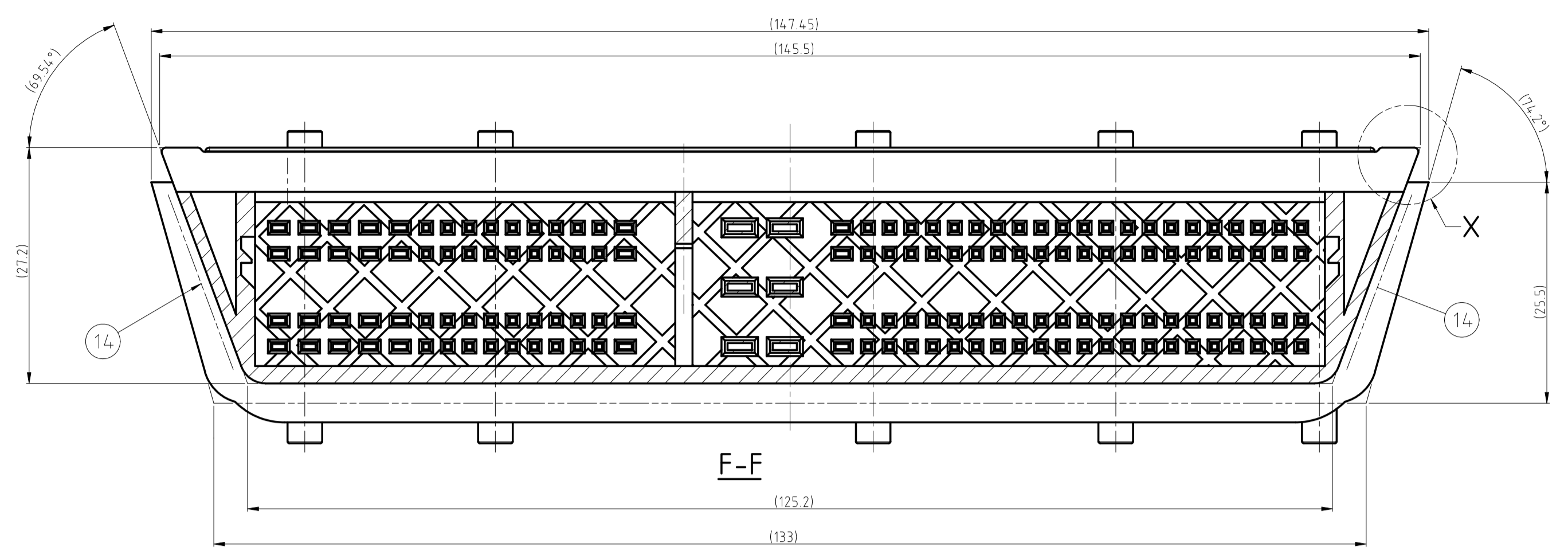
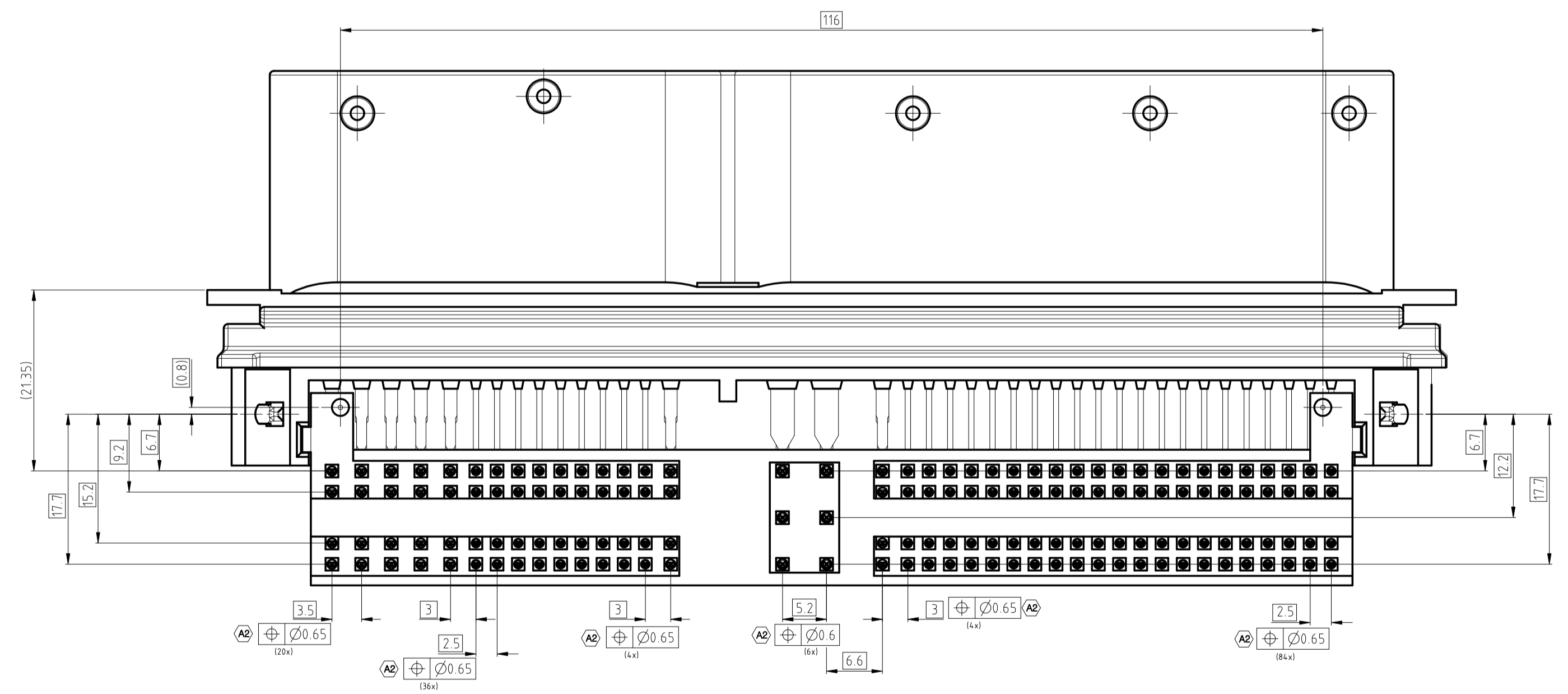
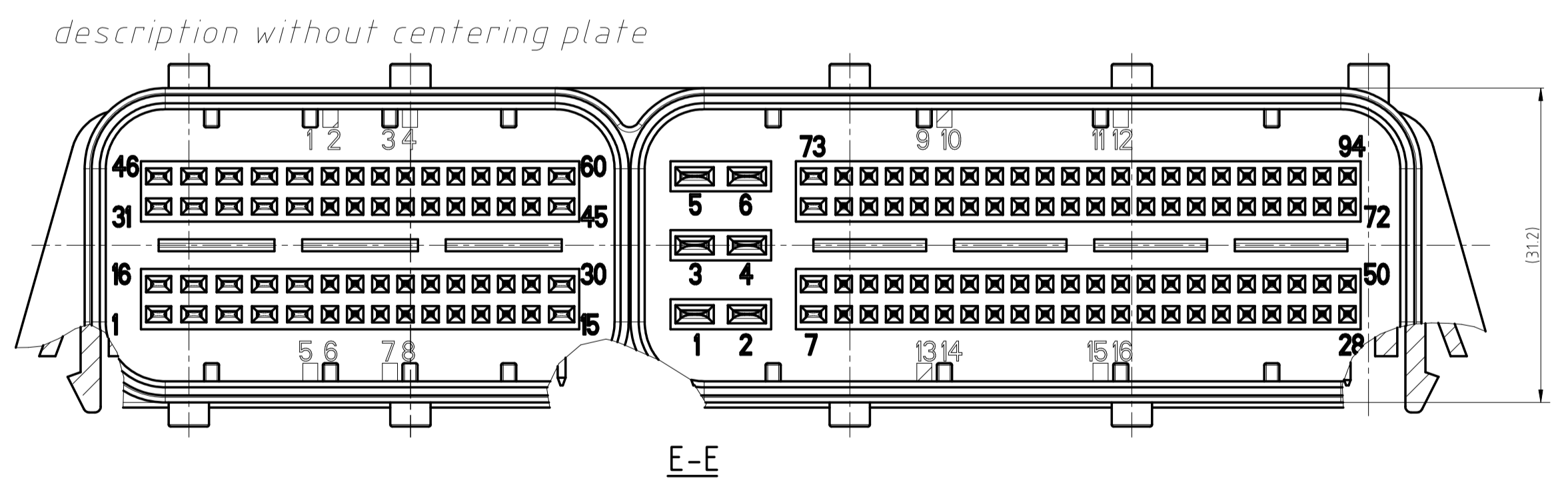
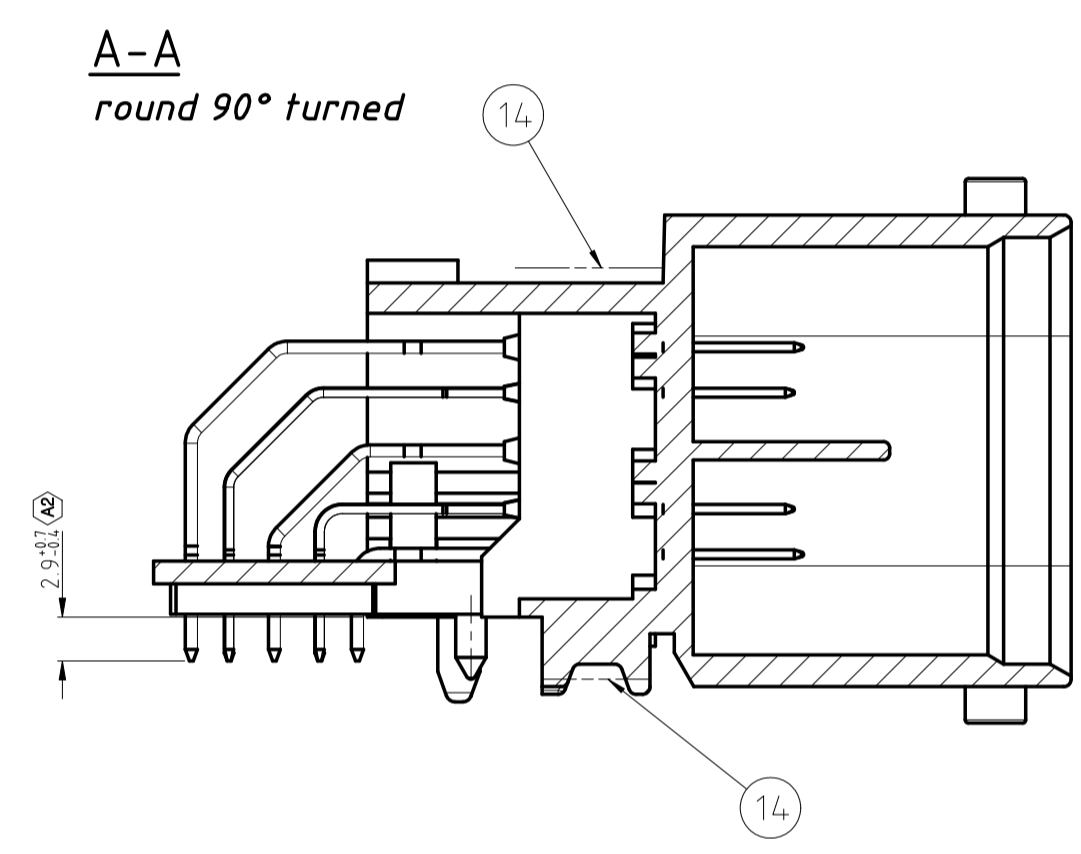
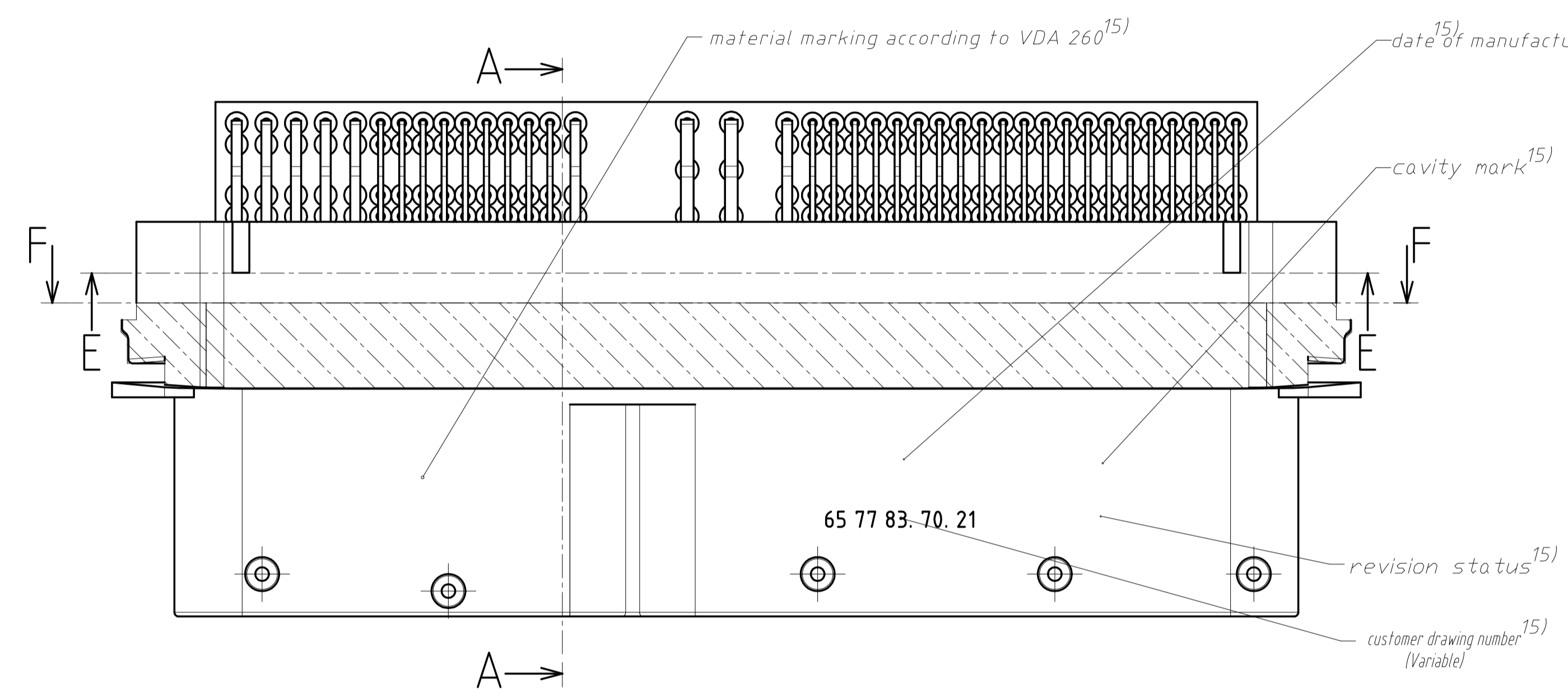


LOC	DIST	REVISIONS			
R	LTR	DESCRIPTION	DATE	DNW	APVD
A		REVISED (FC00-0188-04)	09/SEP/04	YH	CS
A1		REVISED (ECR-06-018994)	09/AUG/06	BH	JK
A2		REVISED (ECR-23-172713)	09/MAR/23	YH	KT

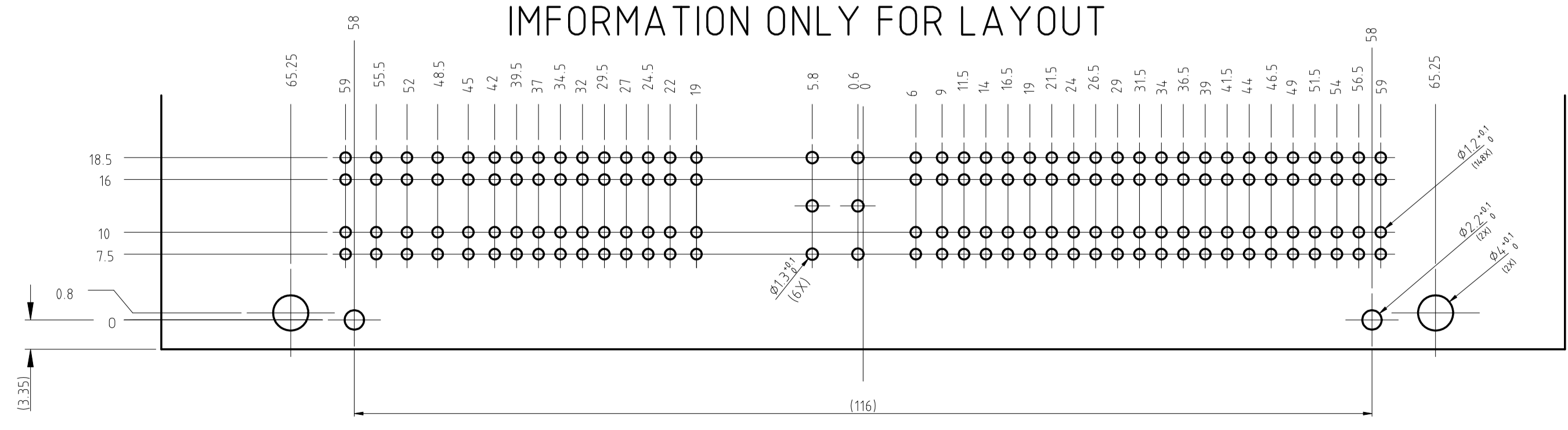


- comments:
- 1 dimensions requiring process capability analysis
 - 2 pins 0.63x0.63: CuSn6 F41 DIN 17670, alternative F48
plug side: 3- μ m fire tinned or galvanic tin
current load: 3A max. at room temperature
contact-eject force min 40N - test speed 50mm/min
 - 3 flat pin 2.8x0.8: CuSn6 F41 DIN 17670, alternative F48
plug side: 2- μ m fire tinned
current load: 15A max. at room temperature
contact-eject force min. 80N test speed 50mm/min
 - 4 flat pin 1.5x0.6: CuSn6 F41 DIN 17670, alternative F48
plug side: 2- μ m fire tinned
current load: 15A max. at room temperature
contact-eject force min. 55N test speed 50mm/min
 - 5 solderability according to DIN IEC 68, part 2-20
6 isolation resist between contacts > 100M Ω
 - 7 plastic part connector (PA66-GF30)
centering plate PA66-GF 50
 - 8 leak rate of the connector in the housing
max. 10ml/min at -200mbar (depression)
 - 9 life time: 10 plug cycle, test at room temperature
 - 10 delivery with centering plate in pre-lock position
 - 11 radii without dimension R=0.5
 - 12 burr max 0.3 raised - not allowed in sealing area
 - 13 not injection mark in sealing area and in front of the pin header
 - 14 sealing area (no parting allowed)
 - 15 deepend area, font and marking raised

centering plate is shown in finish position

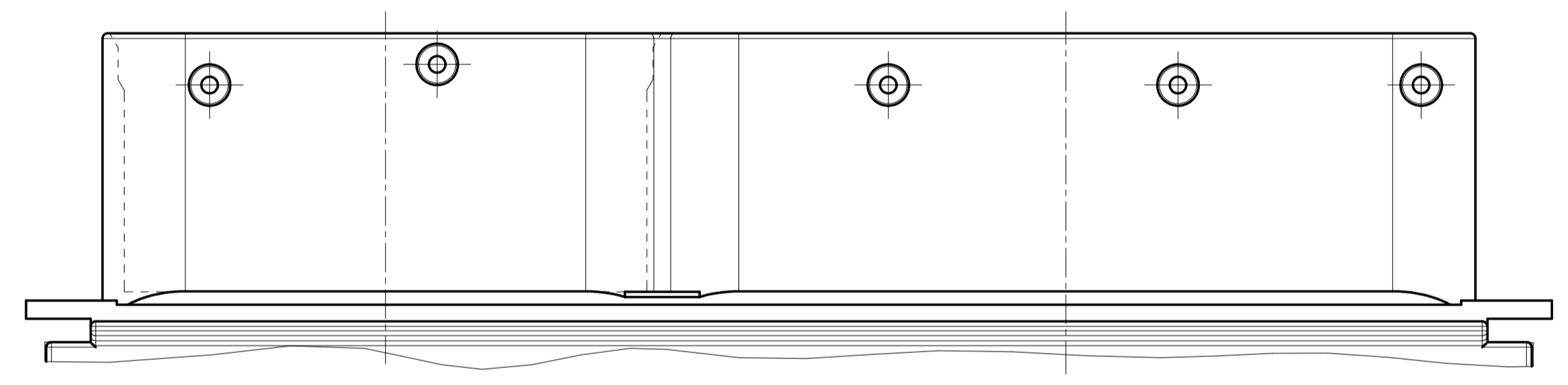
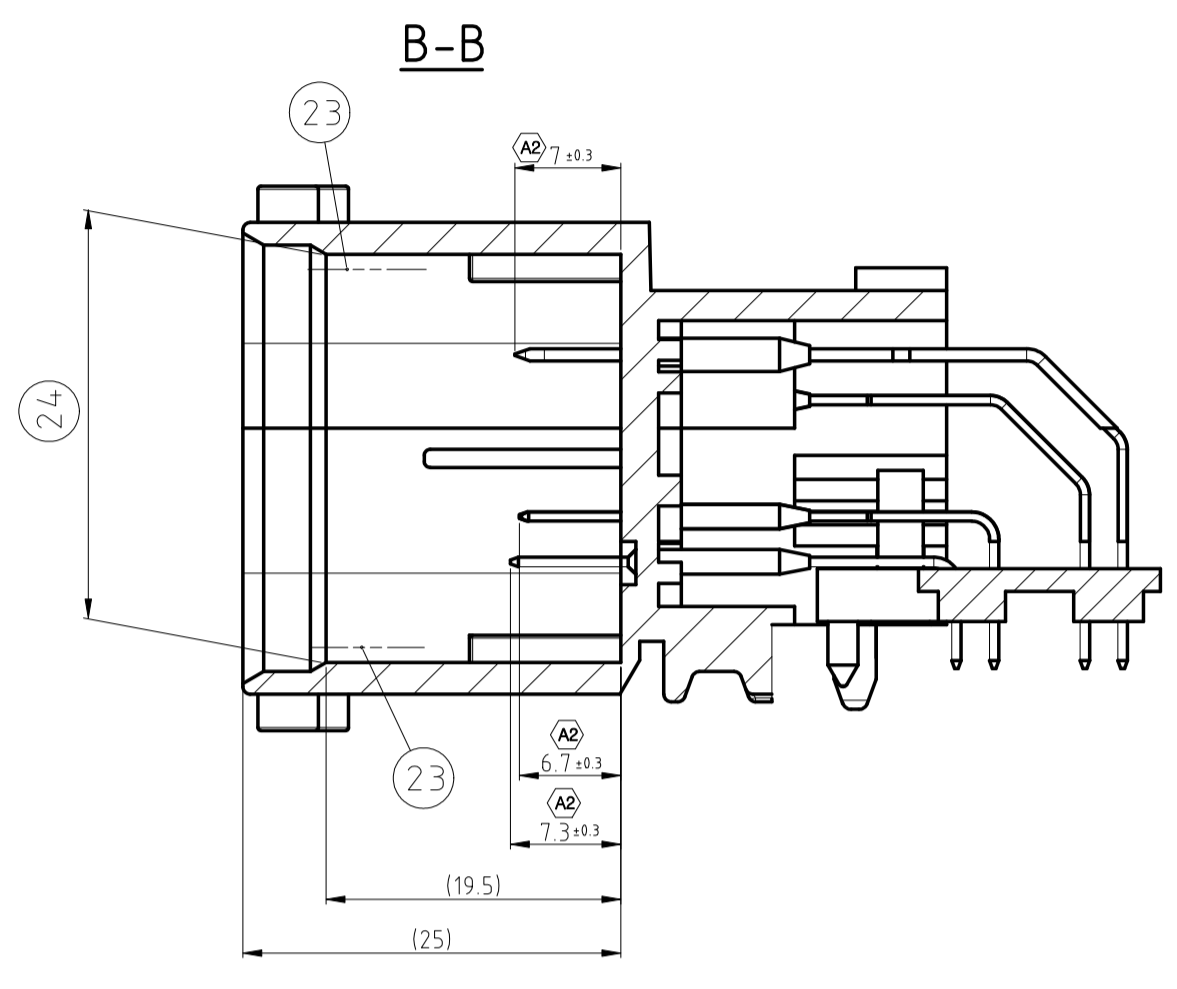
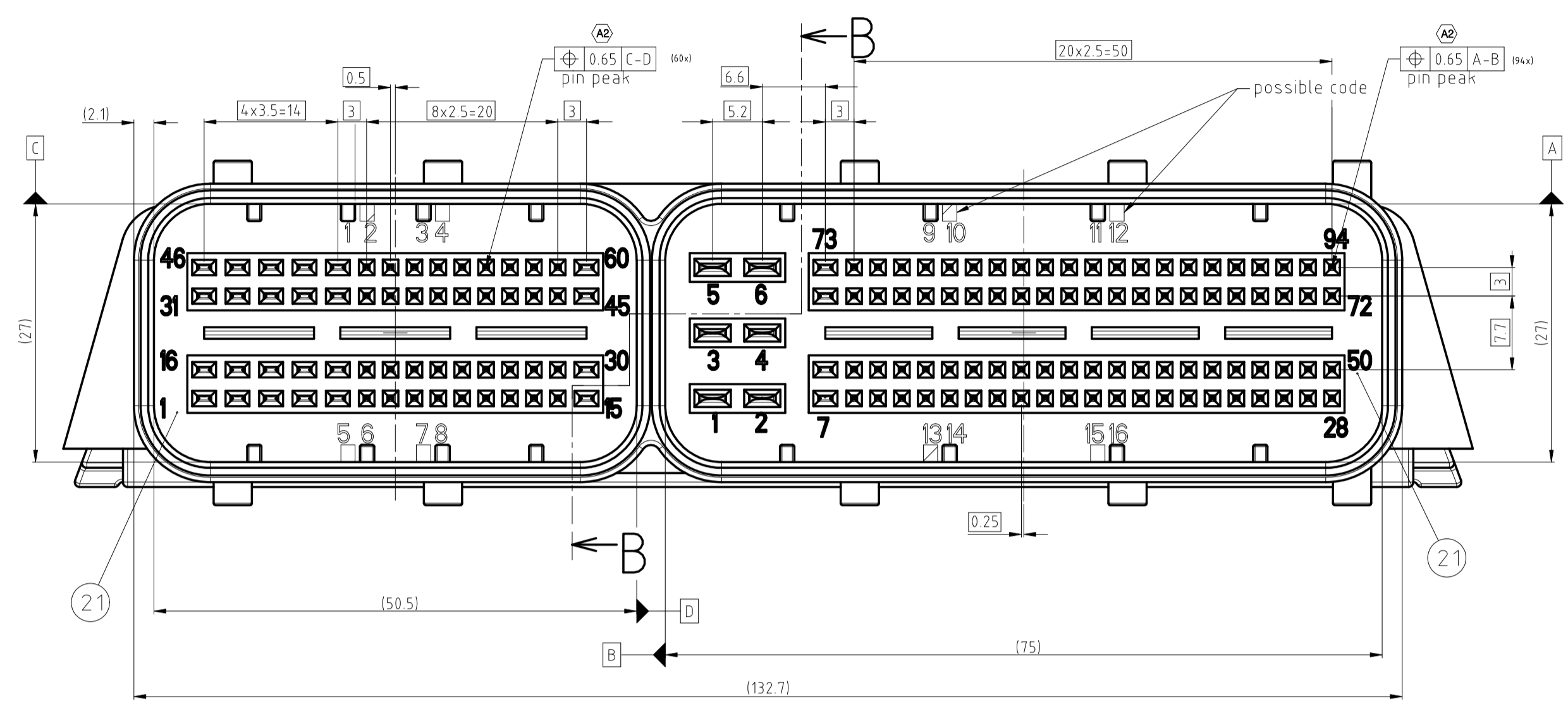


INFORMATION ONLY FOR LAYOUT



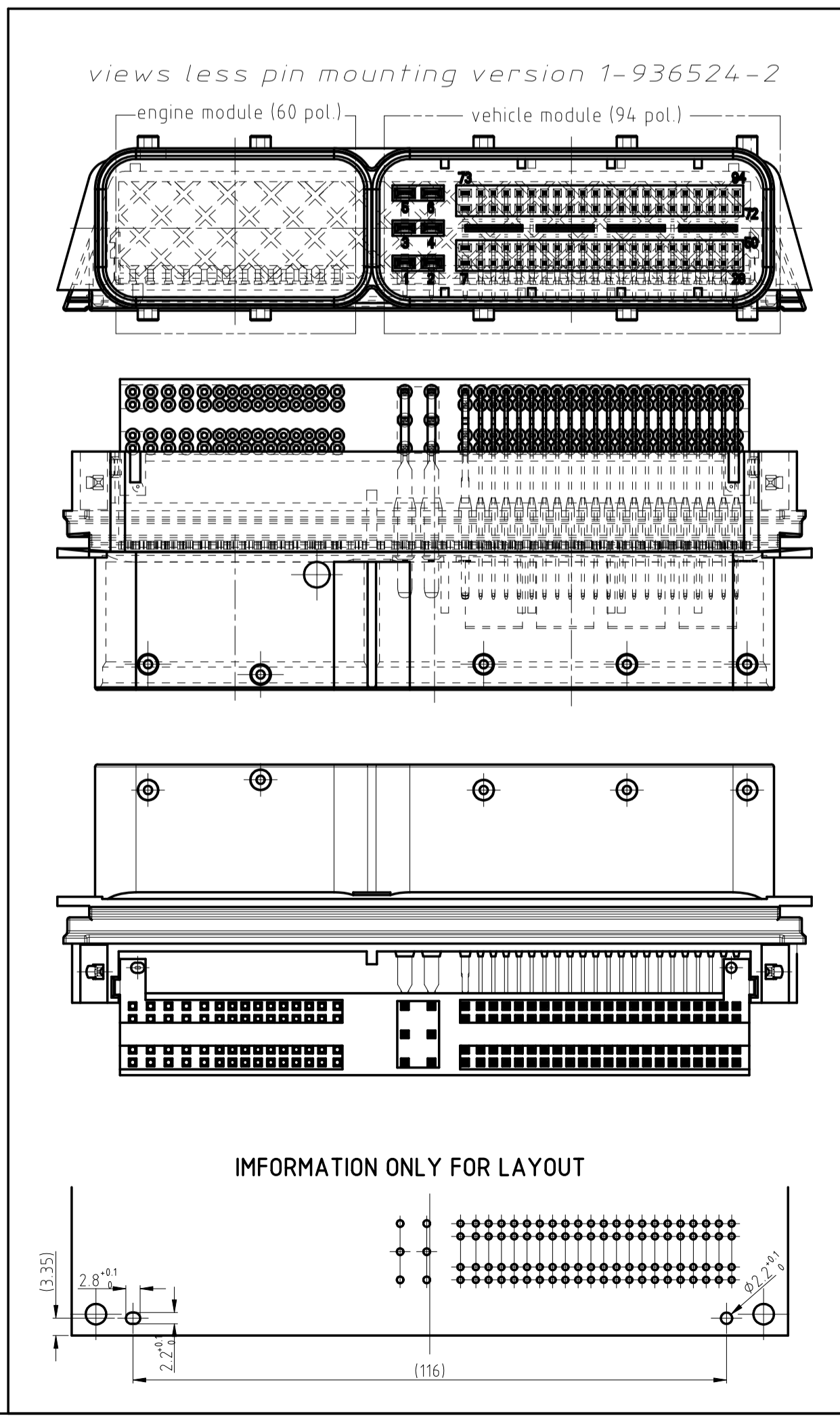
DIMENSIONS: mm		TOLERANCES UNLESS OTHERWISE SPECIFIED: DIN 16901-140		DWN YHMA				AMP KOREA, kyungsan, korea	
3rd ANGLE PROJECTION		FINISH SEE NOTE		CHK YHCHDI		NAME		154-WAY, PIN-HEADER ASS'Y	
MATERIAL SEE NOTE		WEIGHT		APVD JK SONG		PRODUCT SPEC		SIZE CAGE CODE DRAWING NO. RESTRICTED TO	
				APPLICATION SPEC		APPLICATION SPEC		A1 00779 936524	
				WEIGHT		SCALE 2/1		SHEET 1 OF 2 REV A2	
				CUSTOMER DRAWING					

LOC	DIST	REVISIONS			
R	LTR	DESCRIPTION	DATE	DWN	APVD
SEE SHEET 1					



- comments
- (21) position number depressed
 - (22) optional design
 - (23) tool surface polished all around, Ra<0.7µm. Burr, parting line and injection marks are not allowed reaction delay max. 0.6mm
 - (24) contact eject force: see sheet 1
 - (25) without pins in small connector cavity.
 - (26) signal pins (0.63x0.63) gold plated

coding		Siemens drawing no.	AMP ASS'Y drawing no.
Z	-	65 77 87.70.02	1-936524-2
Z	-	65 77 83.70.21	TBD
Z	-	65 77 83.70.22	TBD
C	2,3,6,7	65 77 83.70.23	TBD
D	2,4,6,8	65 77 83.70.24	TBD
E	1,3,6,8	65 77 83.70.25	TBD
F	2,4,5,7	65 77 83.70.26	TBD
G	2,3,5,8	65 77 83.70.27	TBD
H	1,4,6,7	65 77 83.70.28	TBD
Z	-	65 77 83.70.20	TBD
Z	-	65 77 87.70.01	0-936524-2



INFORMATION ONLY FOR LAYOUT

DIMENSIONS: mm	TOLERANCES UNLESS OTHERWISE SPECIFIED: DIN 16901-140
3rd ANGLE PROJECTION	FINISH: SEE NOTE

NO.	DESCRIPTION	MATERIAL	COLOR	FINISH	QTY FOR ASS'Y
17	0.63mm E LONG TAB				21
16	0.63mm LONG TAB				21
15	0.63mm MIDDLE TAB				21
14	0.63mm SHORT TAB				21
13	15mm E LONG TAB				1
12	15mm LONG TAB				1
11	15mm MIDDLE TAB				1
10	15mm SHORT TAB				1
9	2.8mm LONG TAB				2
8	2.8mm MIDDLE TAB				2
7	2.8mm SHORT TAB				2
6	JOINT HOUSING "C"	CuSn 6			2
5	JOINT HOUSING "B"	NYLON 66 GF 50	BLACK		1
4	JOINT HOUSING "A"	NYLON 66 GF 50	NATURAL		1
3	HEADER HOUSING	NYLON 66 GF 30	BLACK		1
2	HEADER HOUSING	NYLON 66 GF 30	BLACK		1
1	HEADER HOUSING	NYLON 66 GF 30	BLACK		1

AMP ASS'Y PART NO. 1-936524-2

tyco AMP KOREA, kyungsan, korea

154-WAY, PIN-HEADER ASS'Y

SIZE: A1 CAGE CODE: 00779 DRAWING NO: 936524

CUSTOMER DRAWING SCALE: 2/1 SHEET: 2 OF 2 REV: A2