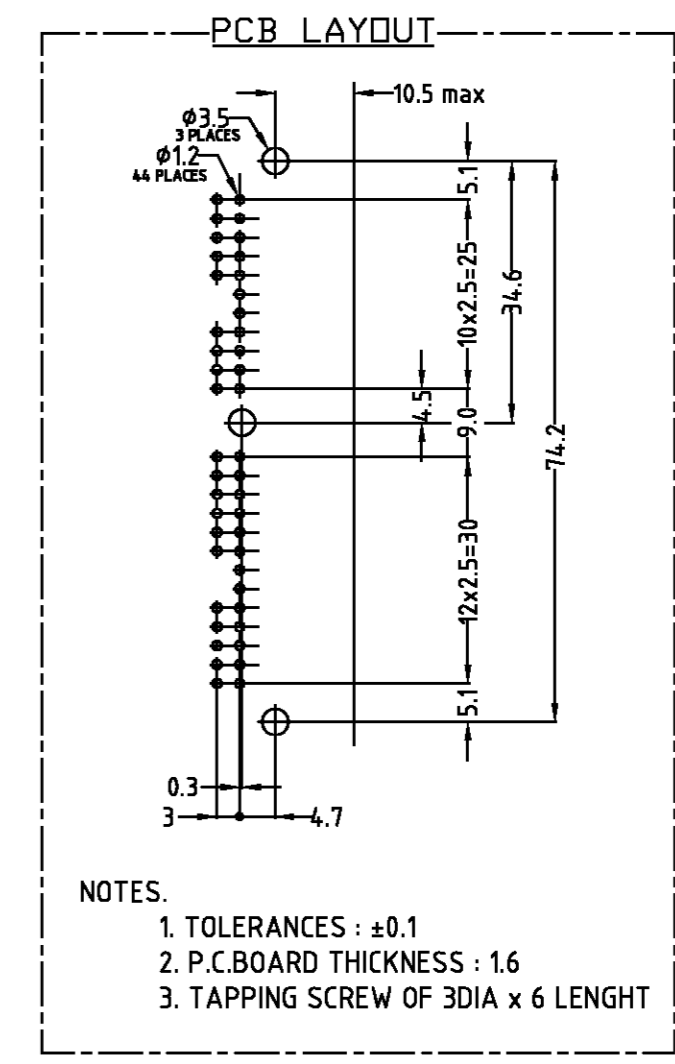
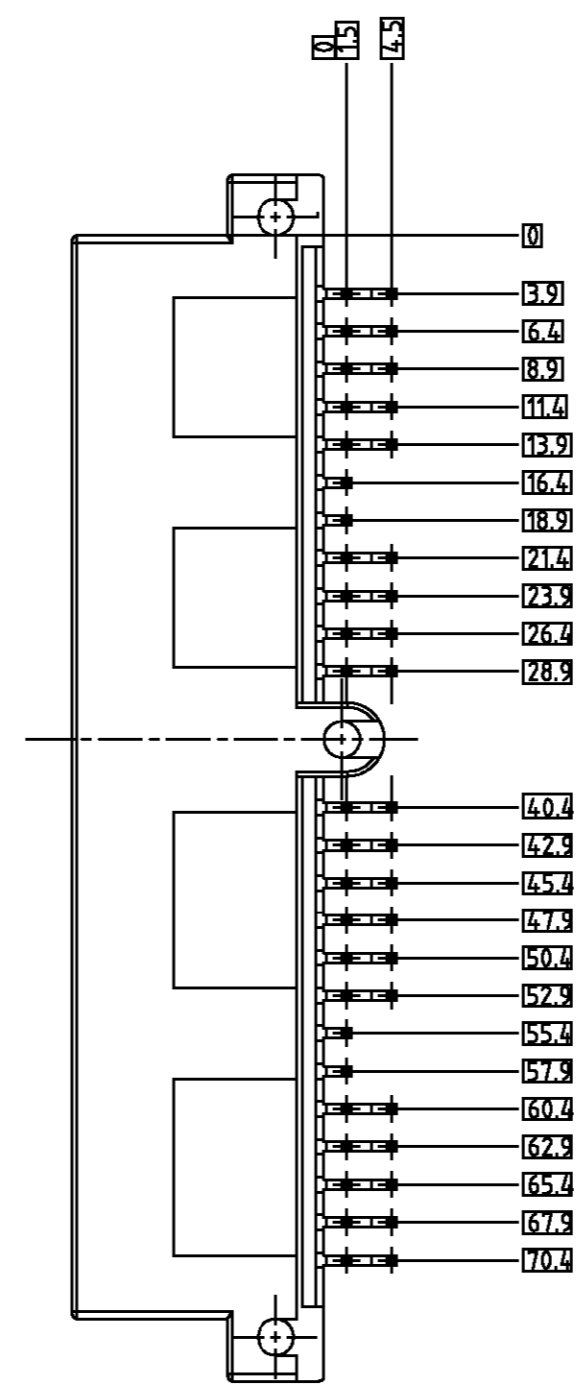
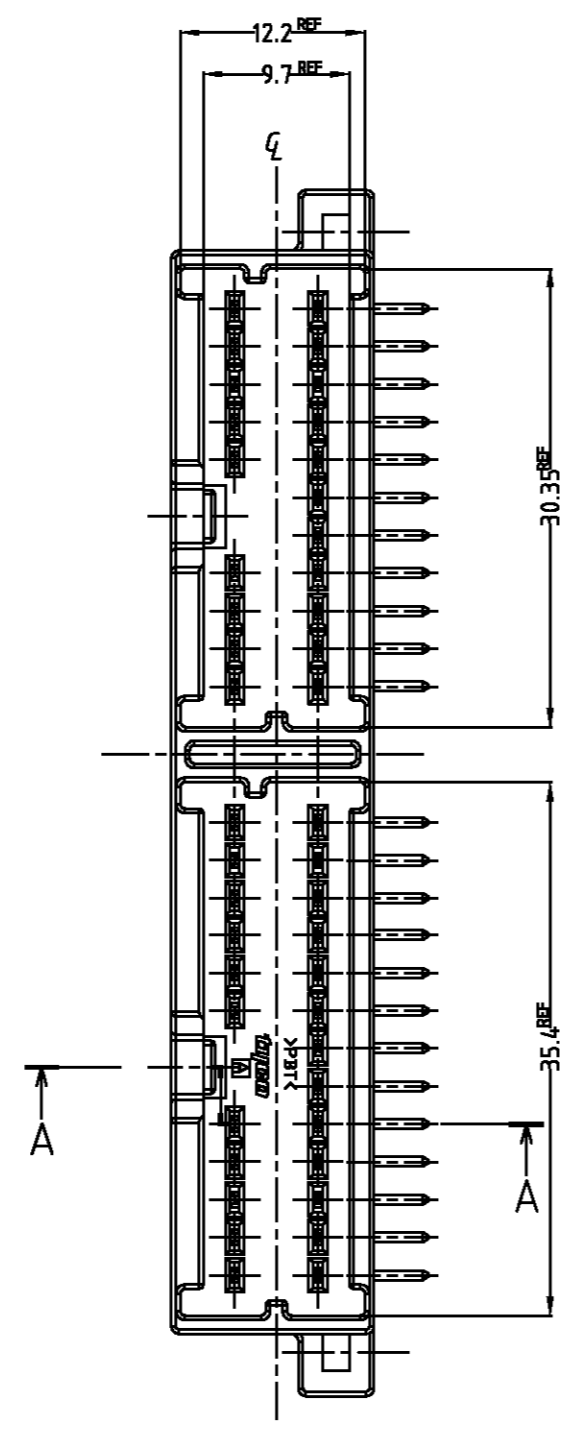
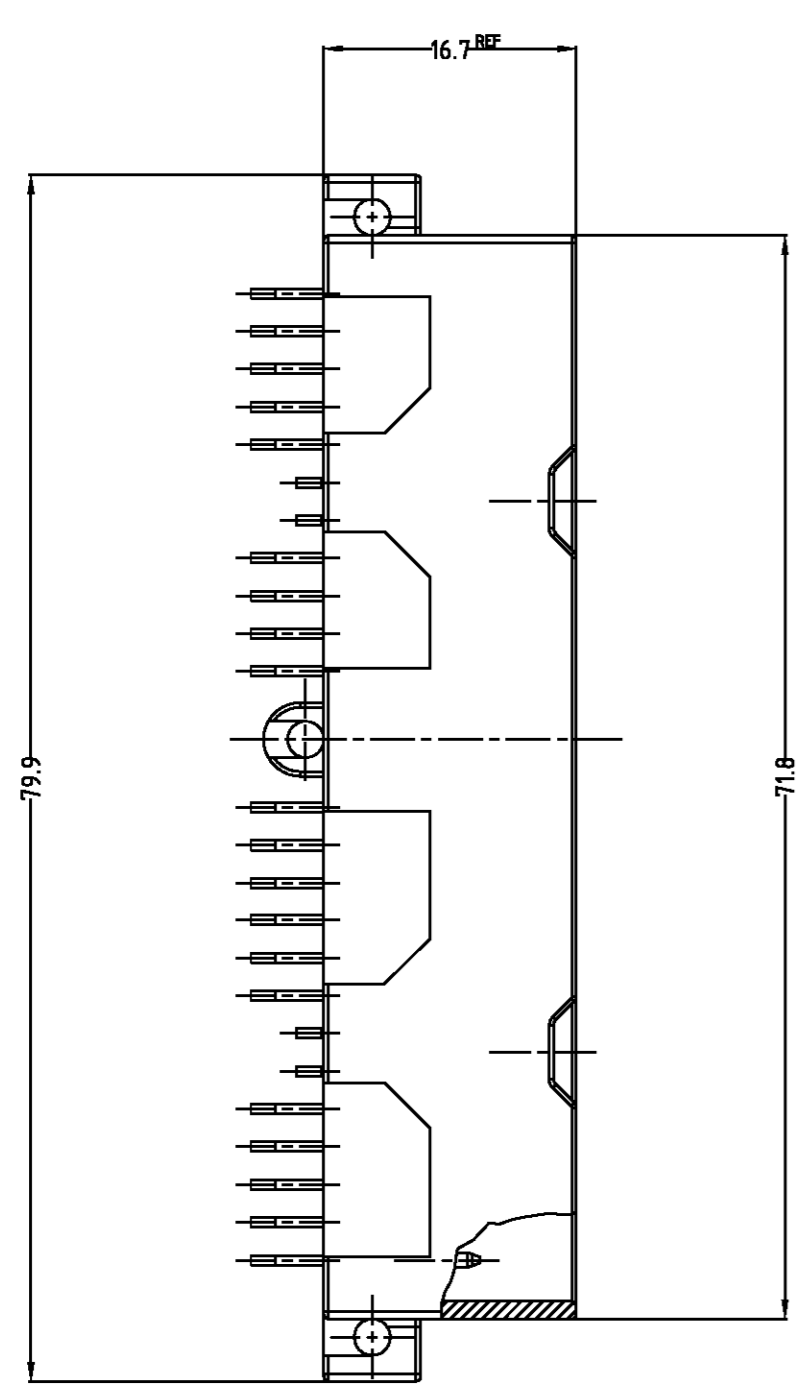
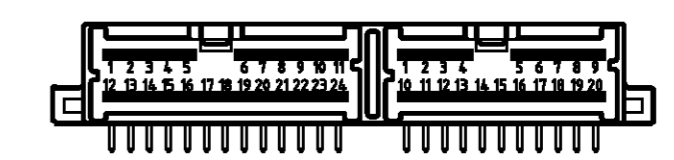


THIS DRAWING IS UNPUBLISHED. RELEASED FOR PUBLICATION
 © COPYRIGHT BY TYCO ELECTRONICS CORPORATION, ALL RIGHTS RESERVED.

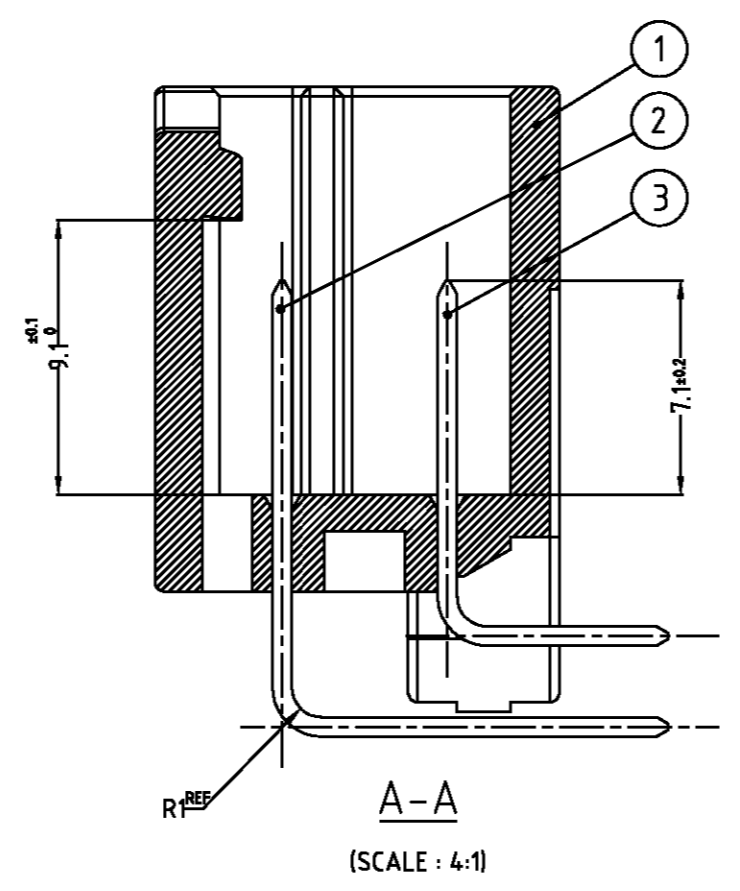
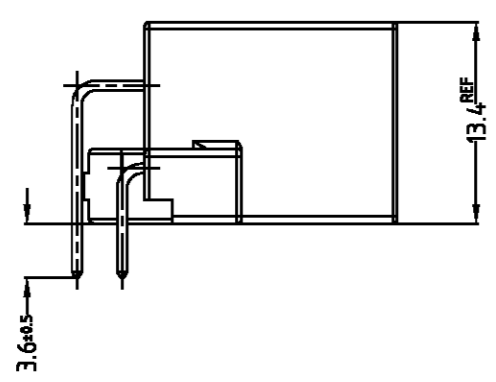
LOC	DIST	REVISIONS					
		P	LTR	DESCRIPTION	DATE	DWN	APVD
DS		0		RELEASE(FC00-0016-04)	30, JAN, 04	MS	CS



- NOTES:
 1. NO CRACK PERMISSIBLE
 2. RETENTION FORCE : 19.6N MIN.
 3. MATING WITH PLUG HOUSING SMOOTHLY(1.96N MAX.)
 (NOT OPERATE LOCK MECHANISM)
 4. CIRCUIT NUMBER



5. APPLIED PLUG CONN'R PART NO. ;
 20POS : 0-936473-1,-2,-5,-6,-7,-8
 24POS : 0-936475-1,-2,-5,-6,-7,-8



ASS'Y P/N
 0-936460-1

NO	DESCRIPTION	PART NO.	MATERIAL	COLOR/FINISH	REV.	ASS'Y FOR Q'TY
3	.040 TAB (S)	0-353730-5	BRASS	PRE-TIN	F1	24
2	.040 TAB (M)	0-353730-6	BRASS	PRE-TIN	F1	20
1	44 Pos. CAP HOUSING	0-936461-1	PBT	NATURAL	0	1

DIMENSIONS: mm 		TOLERANCES UNLESS OTHERWISE SPECIFIED: 0 <XX<10 ± 0.2 10<XX<30 ± 0.25 30<XX ± 0.3 ANGLES ± 3°		THIS DRAWING IS A CONTROLLED DOCUMENT FOR TYCO ELECTRONICS CORPORATION. IT IS SUBJECT TO CHANGE AND THE CONTROLLING ENGINEERING ORGANIZATION SHOULD BE CONTACTED FOR THE LATEST REVISIONS.		INW MS HER CHK BH JANG APVD CS LEZ		tyco Electronics AMP KOREA, kyungsan, korea	
MATERIAL		FINISH		WEIGHT		NAME 44Pos. CAP ASSEMBLY (WIRE TO BOARD) .040III MULTI LOCK CONNECTOR		SIZE CAGE CODE DRAWING NO A200779 G- 936460	
						RESTRICTED TO		SCALE 2/1 SHEET 1 OF 1 REV 0	