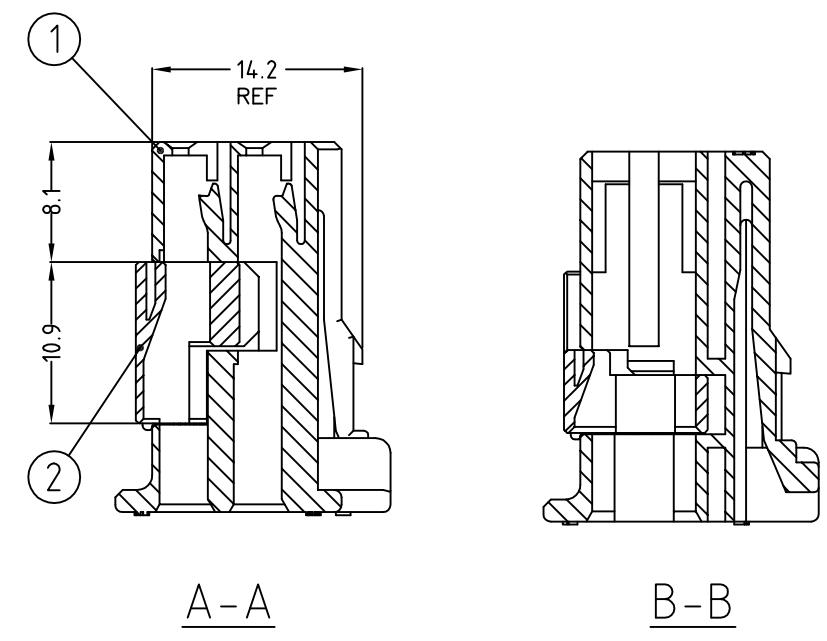
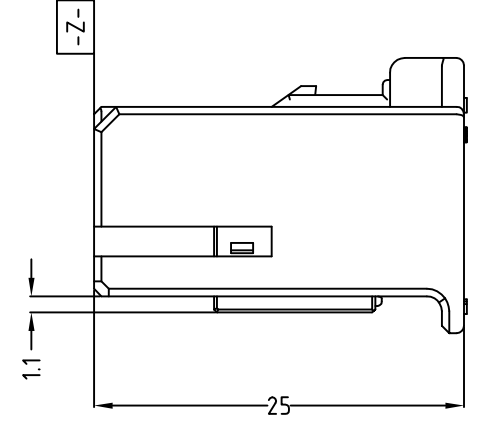
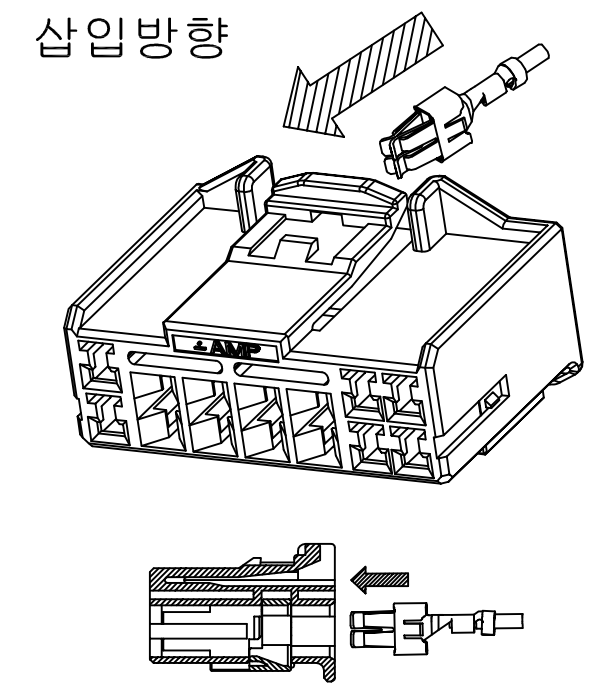
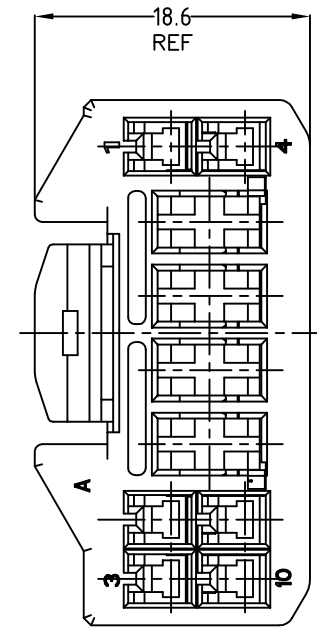
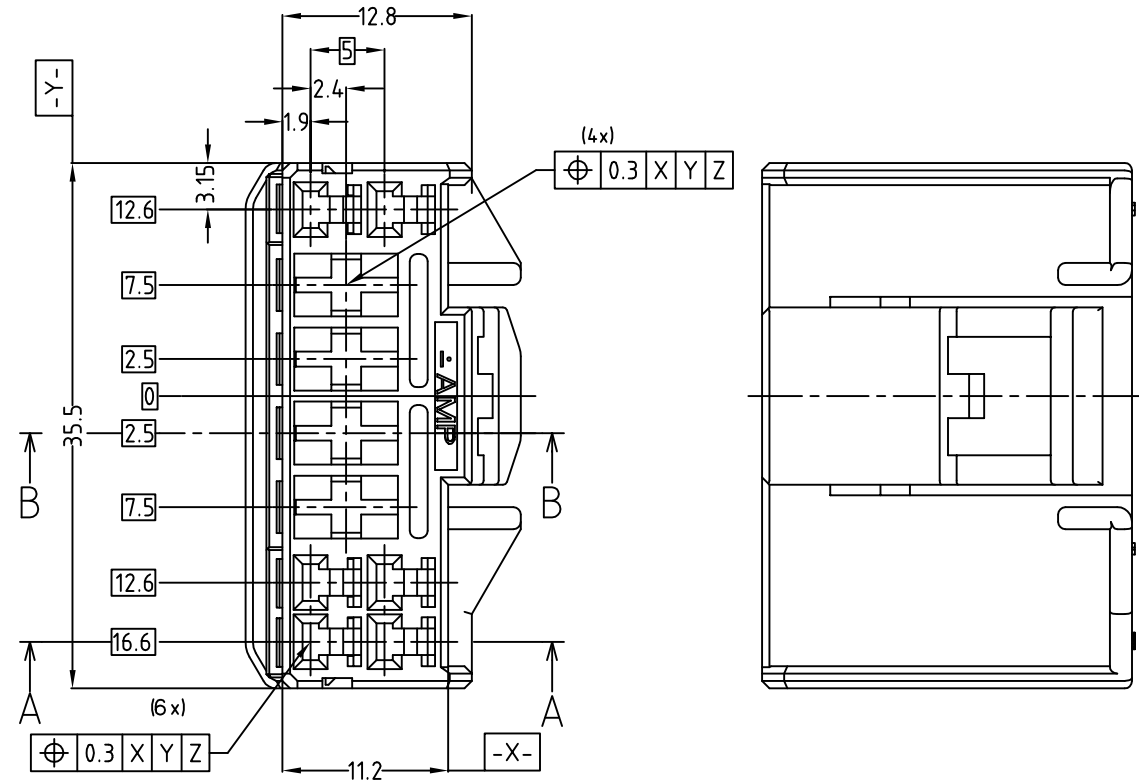


THIS DRAWING IS UNPUBLISHED. RELEASED FOR PUBLICATION
 © COPYRIGHT BY TYCO ELECTRONICS CORPORATION, ALL RIGHTS RESERVED.

LOC	DIST	REVISIONS					
		P	LTR	DESCRIPTION	DATE	DWN	APVD
DS	-		03	REVISED (ECR-09-006394)	25.MAR.'09	KT	HG
			A	REVISED (ECR-12-019821)	15.NOV.'12	JM	HG



NOTES.
 1. APPLIED CONTACT P/N ;
 090 II- 368083,368084,368085
 090 III- 1743654, 1743655, 1743656
 S.P.T.- 927840-2,927831-2,927827-2,927829-2
 2. APPLICABLE PRODUCT SPEC NO. ; 108-61046
 -추가-
 1. 적용단자 P/N. ; 090 II - 368083,368084,368085
 090 III - 1743654,1743655,1743656
 S.P.T. - 927840-2, 927831-2, 927827-2, 927829-2
 2. 적용제품 규격서 ; 108-61046

ASS'Y P/N	DESCRIPTION
936363-2	090/250 HYB 10P PLUG ASS'Y
936363-1	090/250 HYB 10P PLUG ASS'Y

NO.	COLOR	MATERIAL	DESCRIPTION	P/N	QTY
2	NATURAL	PBT	DBL HSG	936365-1	1
1	BLACK	PBT	PLUG HSG	936364-2	1
	NATURAL	PBT	PLUG HSG	936364-1	1

THIS DRAWING IS A CONTROLLED DOCUMENT FOR TYCO ELECTRONICS CORPORATION IT IS SUBJECT TO CHANGE AND THE CONTROLLING ENGINEERING ORGANIZATION SHOULD BE CONTACTED FOR THE LATEST REVISION.

DWN JM JEON
 CHK JW JUNG
 APVD HG CHO
 PRODUCT SPEC -
 APPLICATION SPEC -
 WEIGHT -

TE TE Connectivity

NAME .090/250 HYBRID 10P PLUG ASSEMBLY

SIZE A3 CAGE CODE 00779 DRAWING NO C-936363 RESTRICTED TO -

MATERIAL SEE TABLE FINISH CUSTOMER DRAWING SCALE 2/1 SHEET 1 OF 1 REV A