

THIS DRAWING IS UNPUBLISHED.

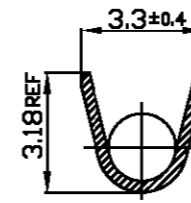
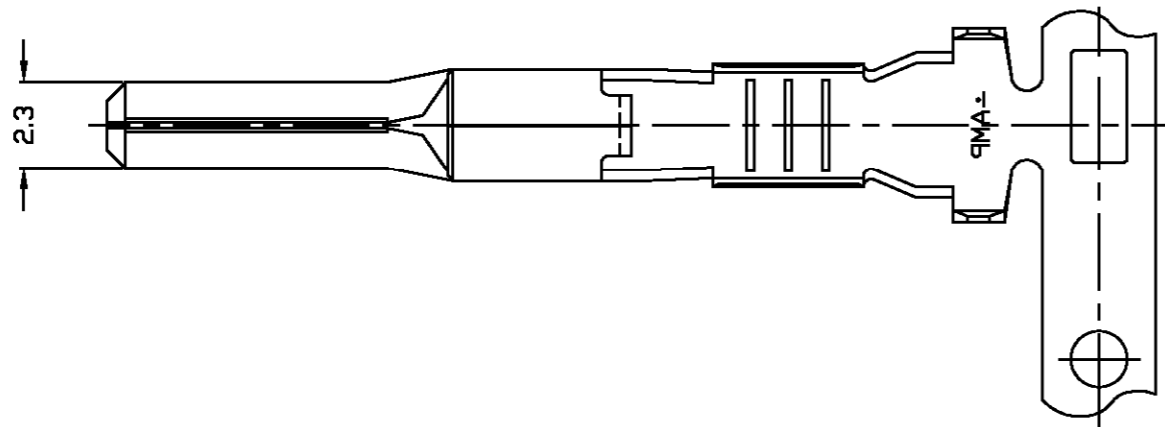
RELEASED FOR PUBLICATION

,20

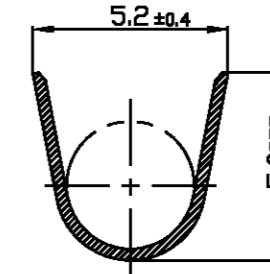
© COPYRIGHT 19

BY AMP INCORPORATED. ALL RIGHTS RESERVED.

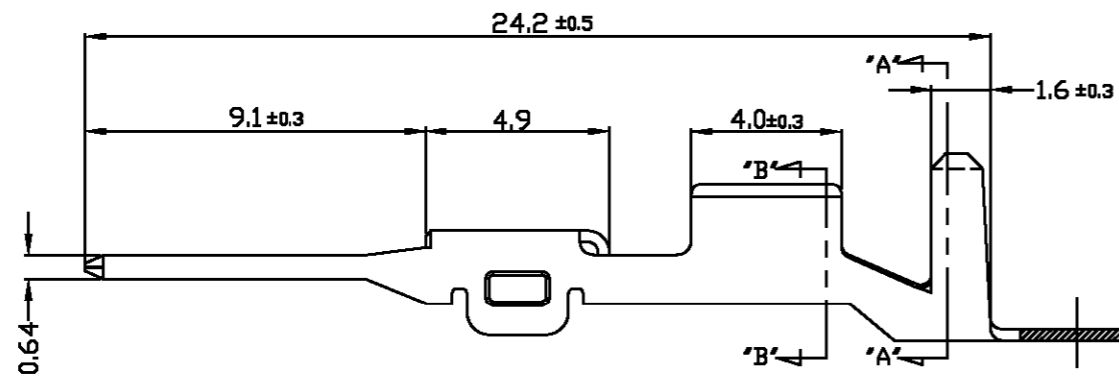
LOC	DIST	REVISIONS					
		P	LTR	DESCRIPTION	DATE	DWN	APVD
DS			□	RELEASED ECN(FC00-0137-02)	12/NOV/02	JW	CS



SECTION "B-B"



SECTION "A-A"



\* NOTES

1. WIRE SIZE EQUIV CAVUS 0.85 ~ AVS 1.25sqmm.

PRE-TIN	BRASS	936261-1
FINISH	MATERIAL	PART NUMBER

DWN : JW JUNG		<b>tyco</b> Electronics		AMP KOREA, kyungsan, korea	
CHK : BM JANG				NAME	
APVD : CS LEE		.090 MLC SEALED TAB CONTACT.			
PRODUCT SPEC					
APPLICATION SPEC		SIZE	CAGE CODE	DRAWING NO	
WEIGHT		A3	00779	C-9 3 6 2 6 1	
SCALE 5/1		SHEET 1 OF 1		REV 0	

DIMENSIONS: mm	TOLERANCES UNLESS OTHERWISE SPECIFIED:
<p>3rd ANGLE PROJECTION</p>	0 <XX<10 ± 0.2
	10 <XX<30 ± 0.25
	30 <XX ± 0.3
	ANGLES ± 3°
MATERIAL SEE TABLE	FINISH SEE TABLE