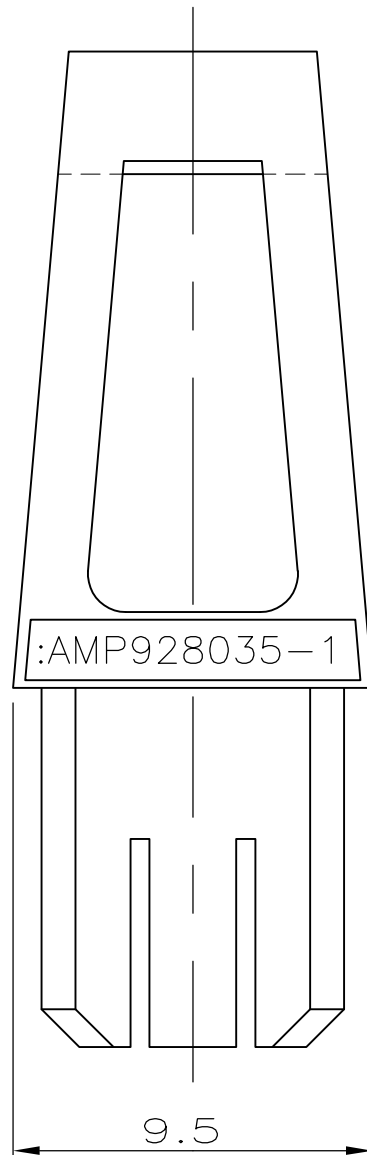
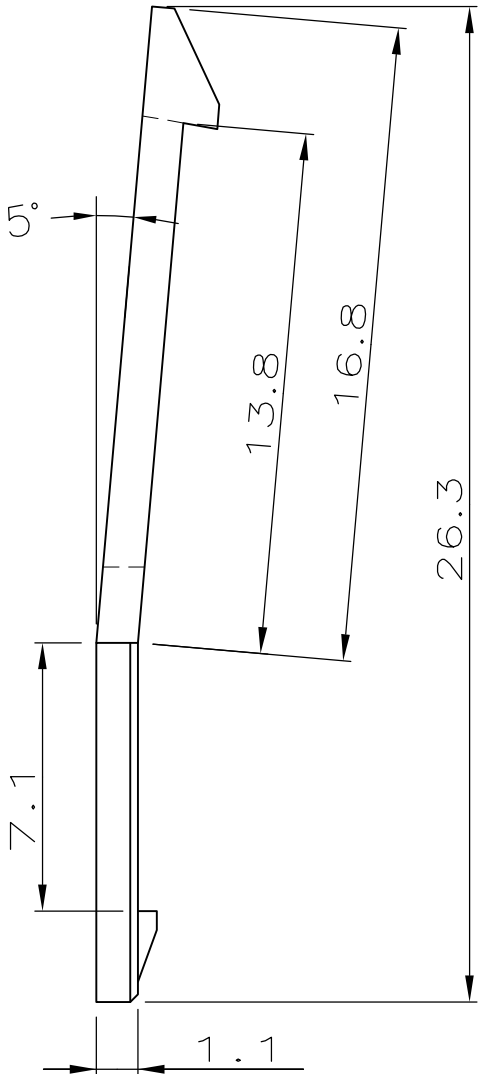


LOC A1	DIST —	REVISIONS			
P	LTR	DESCRIPTION	DATE	DWN	APVD
	B	DRAWING UPDATED	06NOV2013	KJK	JKS



RELEASED FOR PUBLICATION

ALL RIGHTS RESERVED.

THIS DRAWING IS UNPUBLISHED.

By -

© COPYRIGHT

928 035-2	PEI GV	BLACK
928 035-1	PEI GV	GREY
PART NUMBER	MATERIAL	COLOR

DIMENSIONS: mm	DWN W. TILLE 29.10.1993	MATERIAL SEE TABLE	FINISH —
	CHK R. KRÄMER 29.10.1993		
TOLERANCES UNLESS OTHERWISE SPECIFIED: ±0.2	APVD —		
0 PLC ± —	PRODUCT SPEC —	NAME LOCKING LATCH (SHORT VERSION)	
1 PLC ± —	APPLICATION SPEC —	SIZE A4	CAGE CODE 00779
2 PLC ± —	WEIGHT —	DRAWING NO C-928035	RESTRICTED TO —
3 PLC ± —		SCALE 4:1	
4 PLC ± —		SHEET 1 OF 1	
ANGLES ± 1'		REV B	
CUSTOMER DRAWING			

