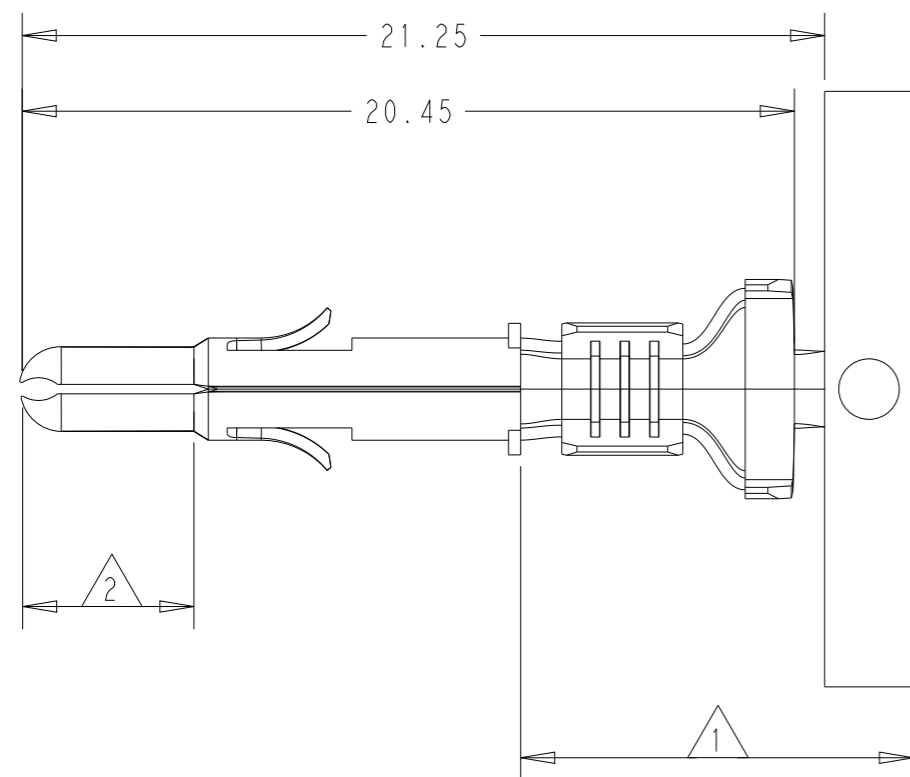
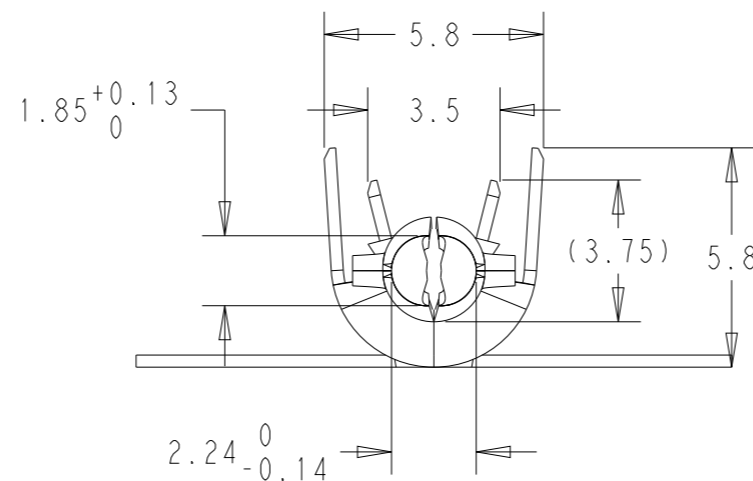
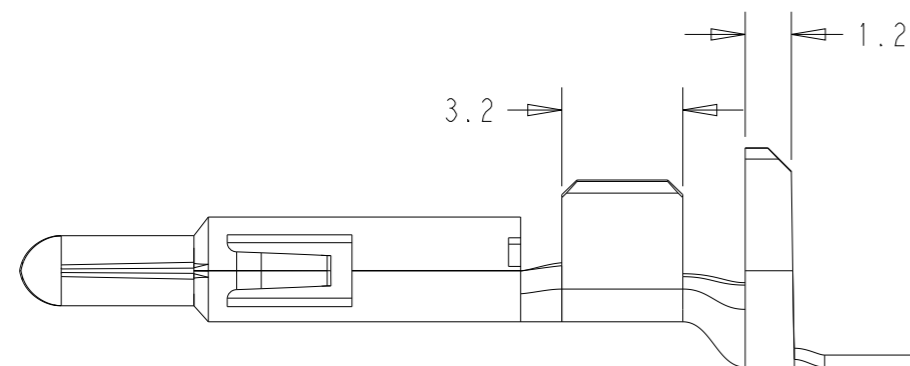


P	LTR	DESCRIPTION	DATE	DWN	APVD
	K9	REVISED PER ECR-23-192333	13NOV2023	RS	BR
	L	REVISED PER ECR-24-207783	05MAY2024	RS	BR

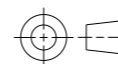


- 1 2-5µm Sn über Ni in der crimpzone.
- 2 0.8µM Gold über Nickel in der kontaktzone
- 3 Für isolations Ø3.3 - 5.1mm geeignet
- 4 OBSOLETE PARTS: OBSOLETE CIS STREAMLINING PER D.RENAUD/D.SINISI.

4	OBSOLETE	926902-7	1 2	BRASS	926899-7	6
	OBSOLETE	926902-6	1 2	PHOS BRONZE	926899-6	5
	OBSOLETE	926902-5	PRE-TIN	COPPER ALLOY	926899-5	4
	OBSOLETE	926902-4	BLANK	COPPER ALLOY	926899-4	3
		926902-3	PRE-TIN	PHOS BRONZE	926899-3	2
		926902-1	PRE-TIN	BRASS	926899-1	1
		LOOSE PIECE	FINISH COLOUR	MATERIAL	PART NUMBER	SI NO

THIS DRAWING IS A CONTROLLED DOCUMENT.

DIMENSIONS:  
mm



TOLERANCES UNLESS OTHERWISE SPECIFIED:

0 PLC ±-  
1 PLC ±-  
2 PLC ±0.2  
3 PLC ±-  
4 PLC ±-  
ANGLES ±-

MATERIAL

FINISH

DWN 11NOV2003  
ABRAHAM, G

CHK 11NOV2003  
KAMPMANN, H

APVD 13NOV2003  
BLEICHER, M

PRODUCT SPEC

APPLICATION SPEC

WEIGHT

-

CUSTOMER DRAWING



TE Connectivity

NAME  
UNIVERSAL M-N-L STIFT  
DGB 1.5-2.5 mm2

SIZE CAGE CODE DRAWING NO

A3 00779 C-926899

RESTRICTED TO

-

SCALE 5:1

SHEET 1 OF 1

REV L