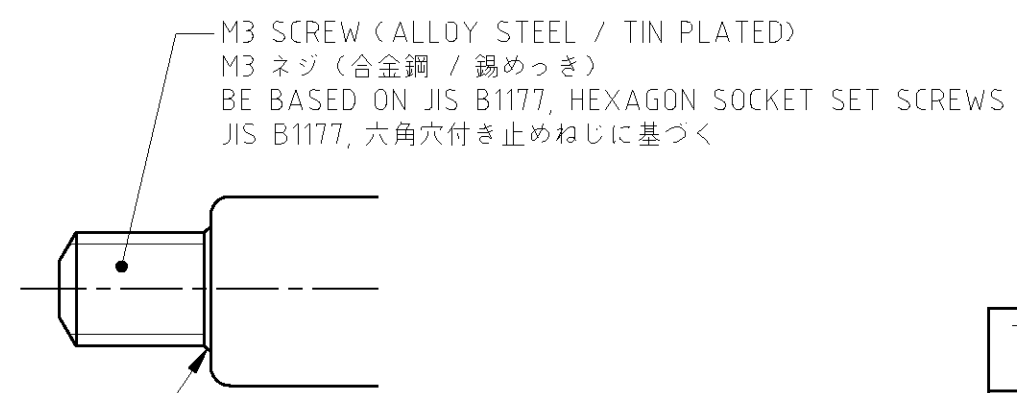
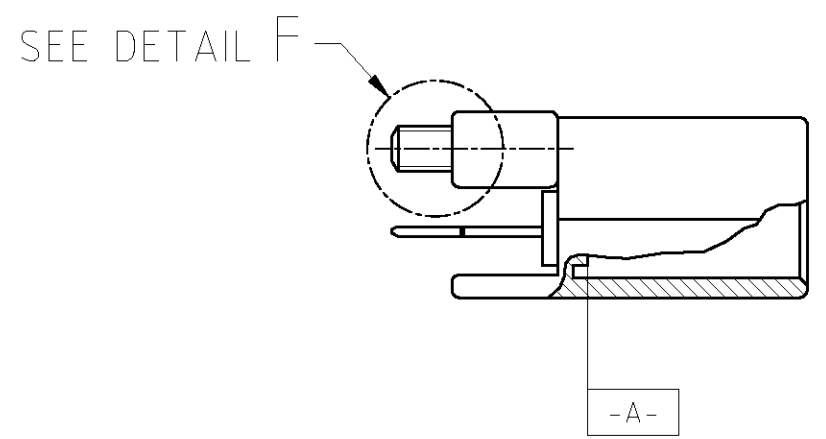
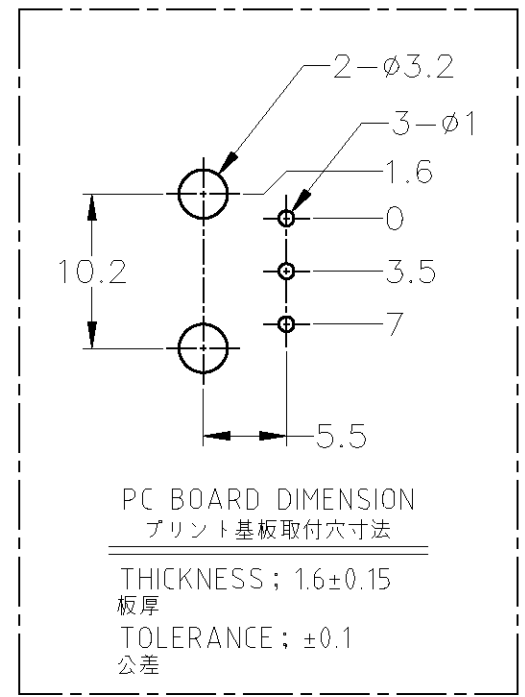
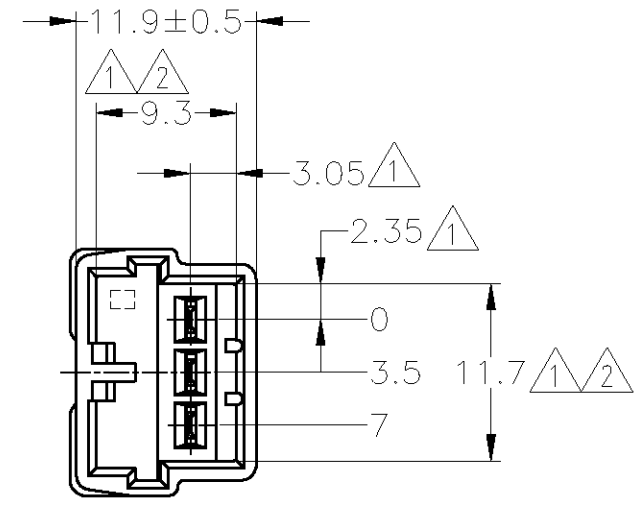
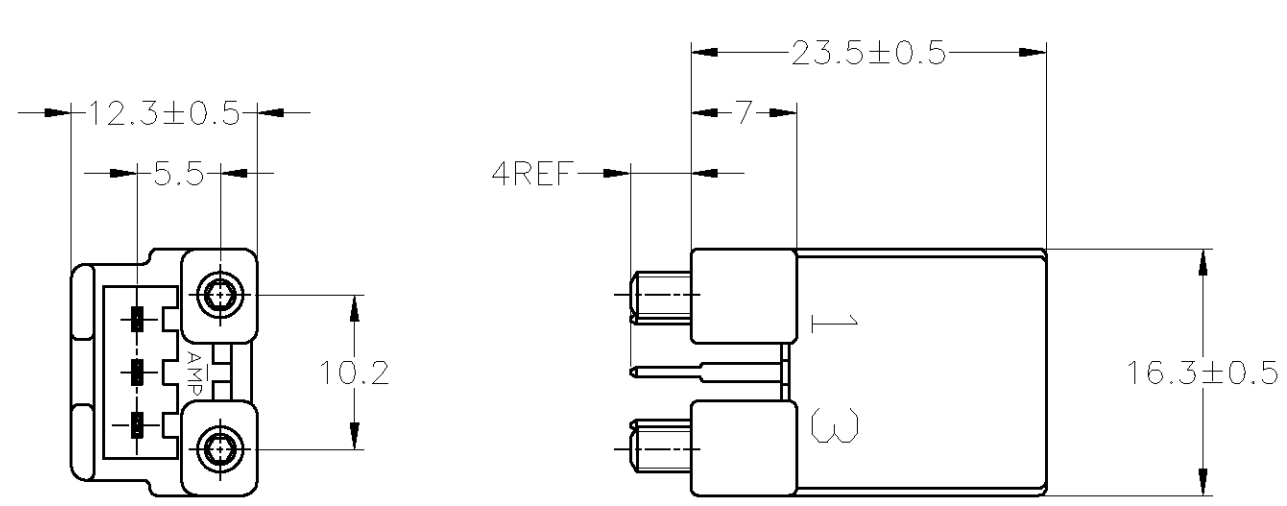


THIS DRAWING IS UNPUBLISHED. RELEASED FOR PUBLICATION
 © COPYRIGHT - By Tyco Electronics JAPAN G.K. ALL RIGHTS RESERVED.

LOC	DIST	REVISIONS					
J	-	P	LTR	DESCRIPTION	DATE	DWN	APVD
		A		RELEASED	27FEB2013	TS	KB



- ① TO BE MEASURED BETWEEN -A- AND 2
 - ② TO BE MATED WITH PLUG HOUSING SMOOTHLY
 - 3. APPLIED PLUG HOUSING PART NUMBER; 174921
- ① -A- 面から2mmの範囲で測定
 - ② 嵌合相手ハウジングと所定の機能を満たして嵌合できること
 - 3. 嵌合相手ハウジング型番; 174921

THIS FLASH IS PERMITTED
 この部分のバリは許容する

DETAIL F
 SCALE 5 : 1

TOLERANCE UNLESS OTHERWISE SPECIFIED:
 一般公差

0 < x ≤ 10	: ±0.2
10 < x ≤ 30	: ±0.25
30 < x ≤ 100	: ±0.3
ANGLE	: ±3°
角度	

THIS DRAWING IS A CONTROLLED DOCUMENT.		DWN T.SHINOHARA 27FEB2013	TE Connectivity															
DIMENSIONS: mm		CHK K.BETSUI 27FEB2013																
TOLERANCES UNLESS OTHERWISE SPECIFIED:		APVD K.BETSUI 27FEB2013	NAME 070 SERIES MULTI-LOCK I/O CONN 3Pos. CAP HOUSING ASSEMBLY (WITH SCREW)															
<table border="1"> <tr><td>0 PLC</td><td>± -</td></tr> <tr><td>1 PLC</td><td>± -</td></tr> <tr><td>2 PLC</td><td>± -</td></tr> <tr><td>3 PLC</td><td>± -</td></tr> <tr><td>4 PLC</td><td>± -</td></tr> <tr><td>ANGLES</td><td>± -</td></tr> </table>		0 PLC	± -	1 PLC	± -	2 PLC	± -	3 PLC	± -	4 PLC	± -	ANGLES	± -	PRODUCT SPEC 108-5216	SIZE	CAGE CODE A300779	DRAWING NO C-917048	RESTRICTED TO
0 PLC	± -																	
1 PLC	± -																	
2 PLC	± -																	
3 PLC	± -																	
4 PLC	± -																	
ANGLES	± -																	
MATERIAL HOUSING ; PBT CONTACT ; BRASS		FINISH -	WEIGHT 3.6 g	CUSTOMER DRAWING		SCALE 2:1												
				SHEET 1 OF 1	REV A													