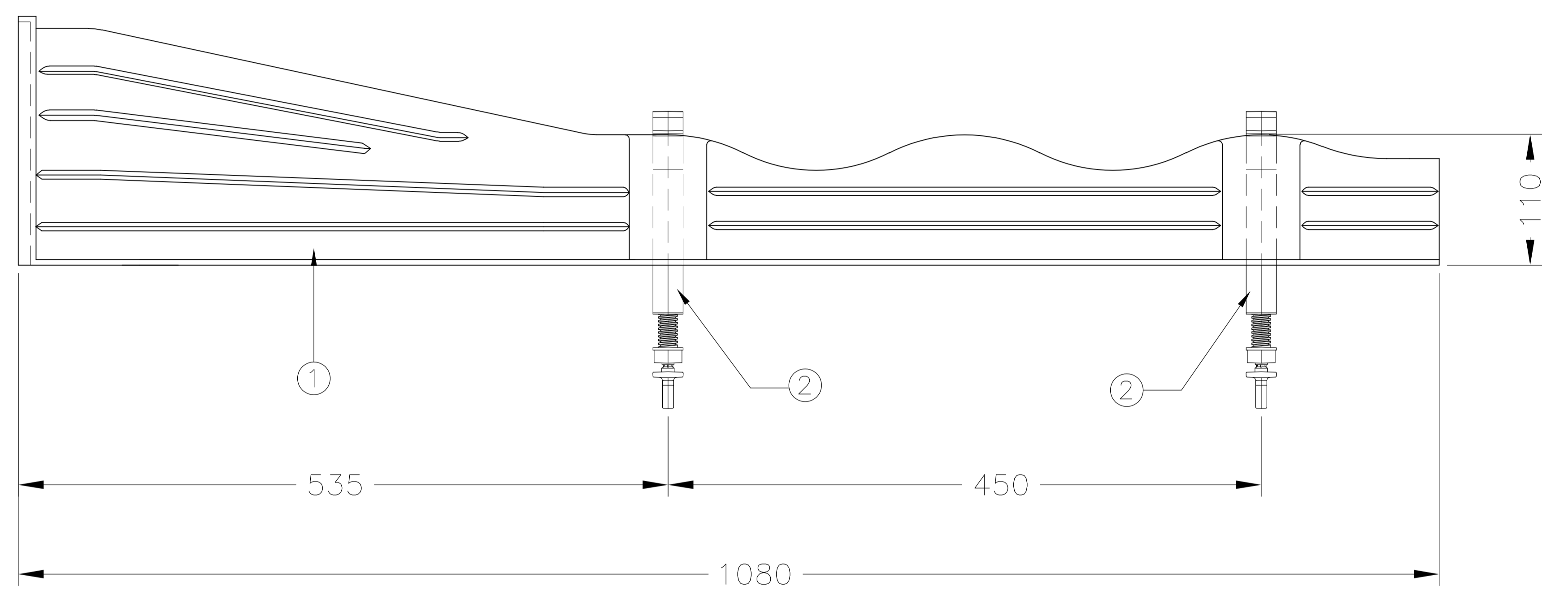
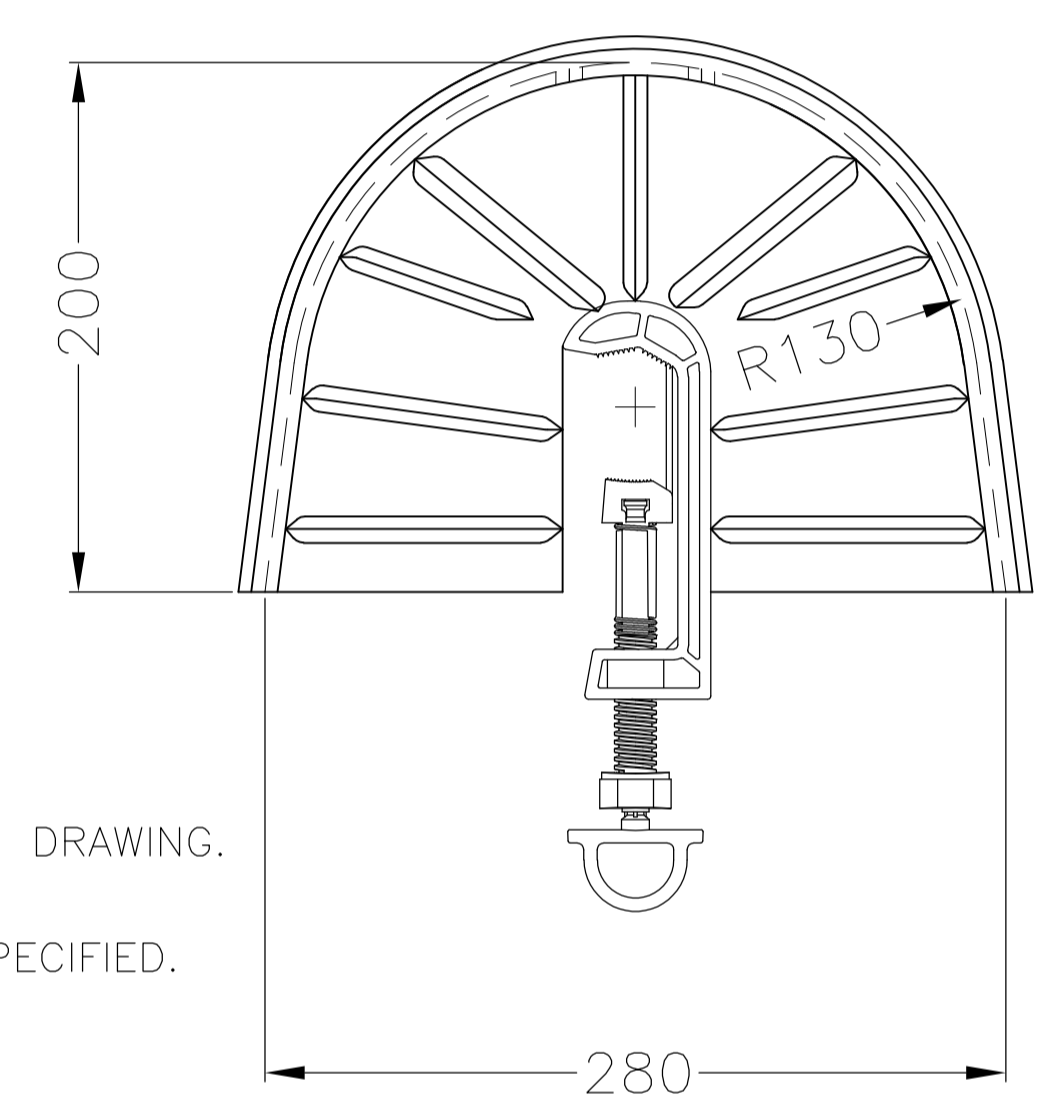
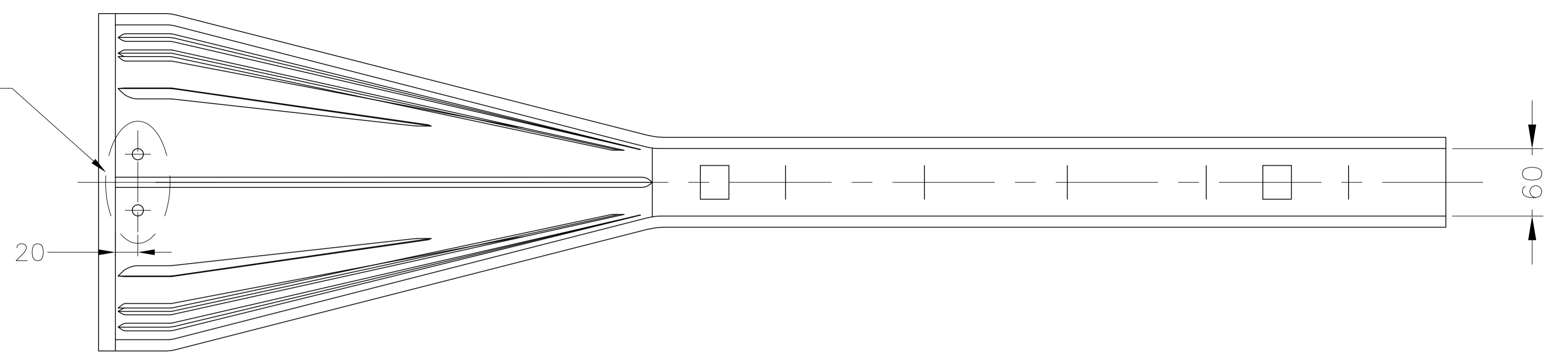


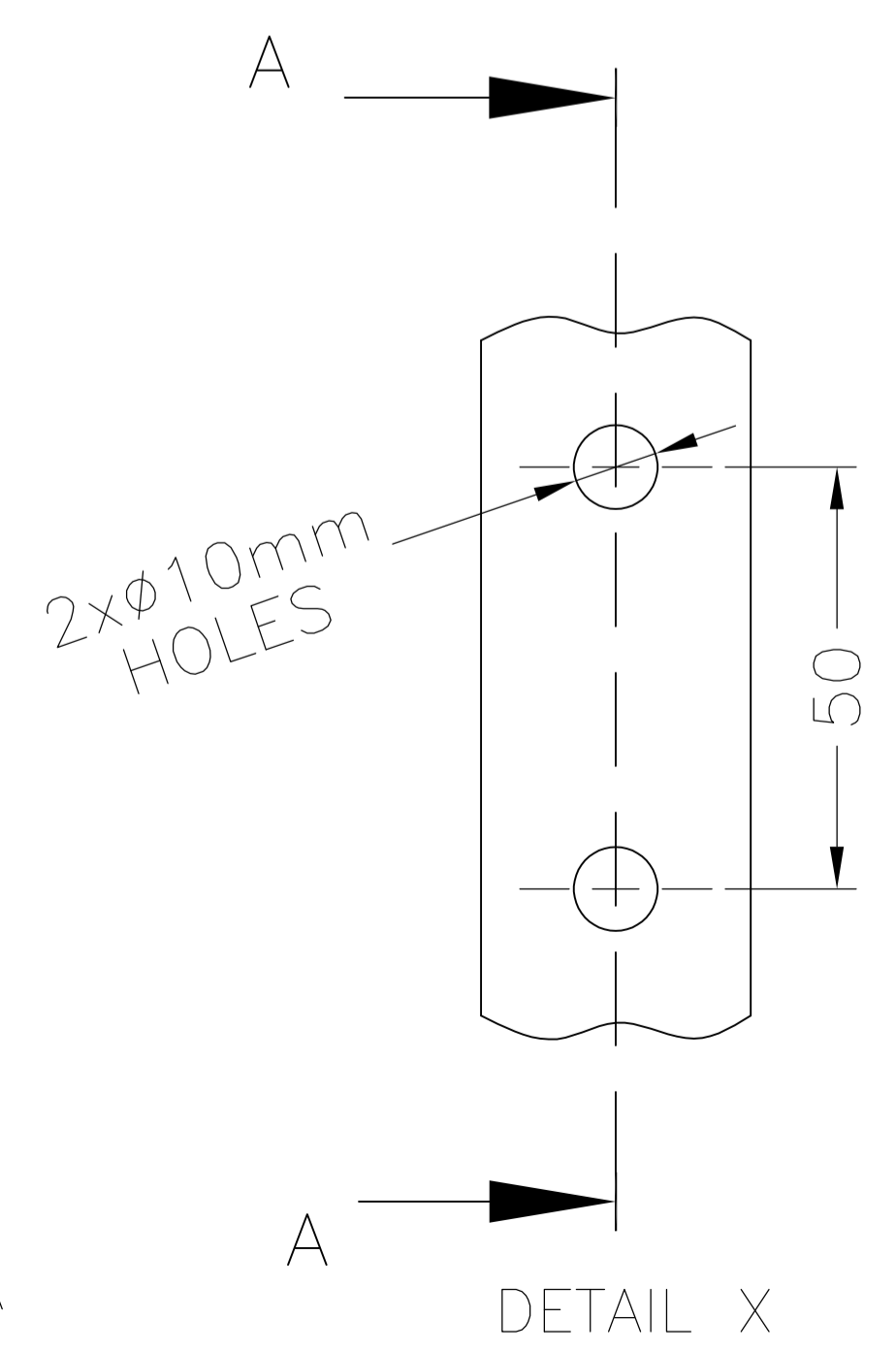
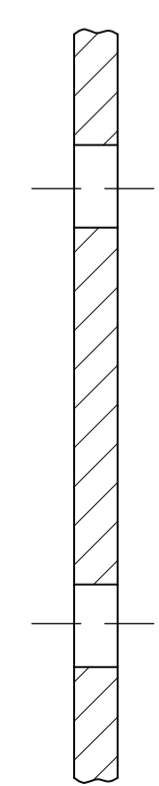
LOC		DIST		REVISIONS			
P	LTR	DESCRIPTION	DATE	DN	APVD		
A		NEW DRAWING	31OCT2012	VP	I.B		

SEE DETAIL X



VACUUM FORMING NOTES:

1. MATERIAL: 4.75MM BLACK LDPE SHEET
2. TWO OFF CLAMPS TO BE FORMED IN POSITION AS IN DRAWING.
3. MIN. WALL THICKNESS 2.5mm UNLESS OTHERWISE SPECIFIED.
4. TOLERANCES  $\pm 3$  UNLESS OTHERWISE SPECIFIED.
5. UP TO 25mm FLANGE PERMISSIBLE ALL ROUND.
6. NO WRINKLES OR PINCHES ARE PERMITTED.
7. COLD MARKS ARE ALLOWABLE AS LONG AS THE WALL THICKNESS IN THESE REGIONS MEETS ITEM 3 REQUIREMENT.
8. PART SHALL BE CLEAN OF DUST AND DEBRIS.
9. EACH PART SHALL BE EMBOSSD OR STAMPED WITH THE TE-RAYCHEM PART, DESCRIPTION AND MATERIAL LOT NUMBER. PRINTING MUST BE EXTERNALLY LEGIBLE ON THE FINISHED PRODUCT. MINIMUM LETTER HEIGHT 5mm.



SECTION A-A

DETAIL X

1	INSTRUCTION	ESD-6086-DE-7/12
3	CABLE TIE	EPPA-024-7-500
3	BIRDCAP	BCIC-TEN-01
QTY	NOTES	ITEM

THIS DRAWING IS A CONTROLLED DOCUMENT.

DIMENSIONS: mm	TOLERANCES UNLESS OTHERWISE SPECIFIED:	DIN 155EP2011	VISHNU	155EP2011	APVD	BOND	155EP2011	NAME	TE Connectivity
0. PLC	$\pm$							Single Tension Insulator Birdcap	
1. PLC	$\pm$							BCIC-TEN-01(B3)	
2. PLC	$\pm$								
3. PLC	$\pm$								
4. PLC	$\pm$								
ANGLES	$\pm$								
MATERIAL	FINISH	WEIGHT	SIZE	CAGE CODE	DRAWING NO	RESTRICTED TO			
			A1	00779	9-1899743-5				
CUSTOMER DRAWING		SCALE	1:2	SHEET	1 of 1	REV	A		