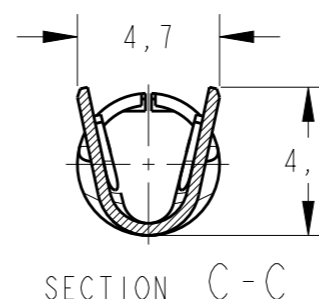
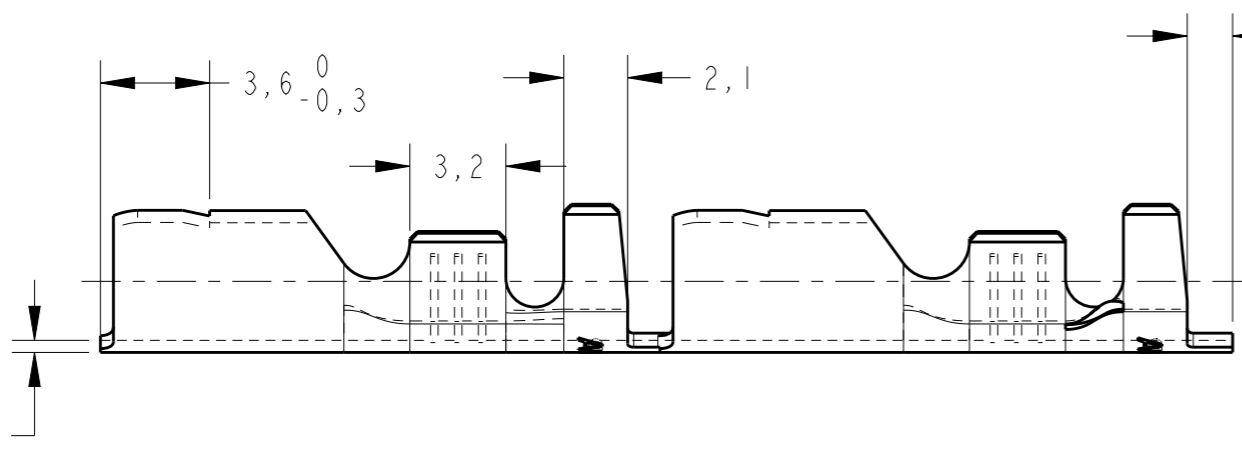
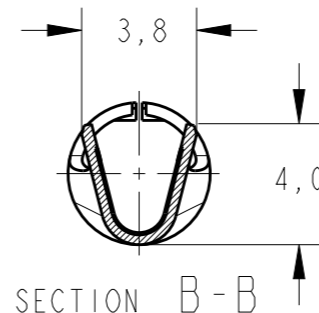
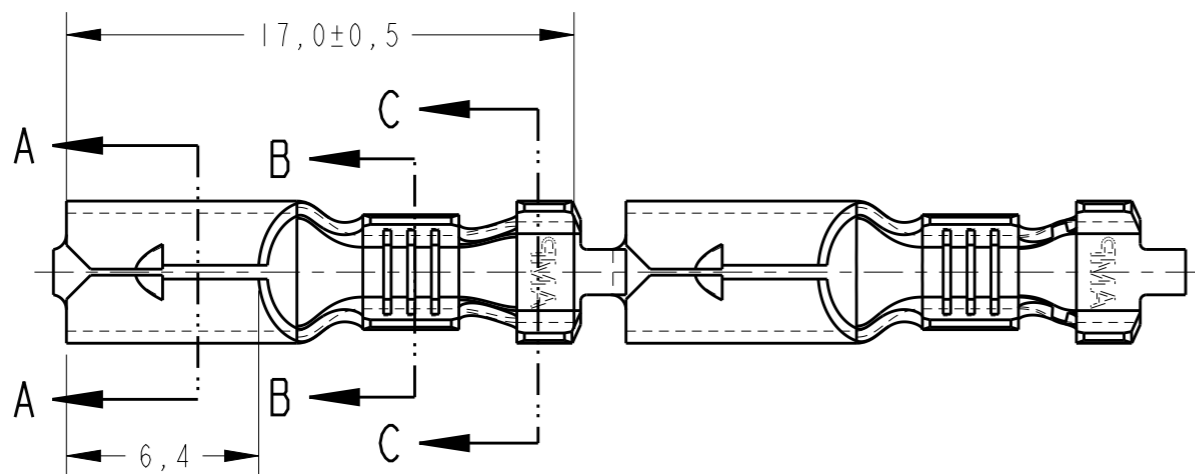


REVISIONS

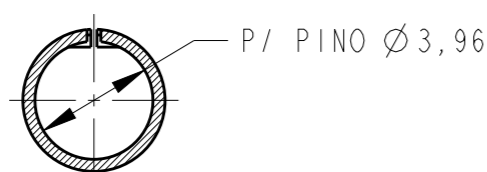
P	LTR	DESCRIPTION	DATE	DWN	APVD
C		REVISED DRAWING ECO-11-000075	05JAN2011	NCL	ASV
D		REV. BY ECO 15-012439	10SEP2015	HC	WLS

creo
Creo Parametric 2.0
**DO NOT REVISE
EXCEPT BY CAD**



- PEÇA SOLTA
- LOOSE PIECE
- OBSOLETE

0,400±0,015



SECTION A-A

OBSOLETE 	—	—	BRONZE FOSF.		881725-8
	—	ESTANHADO	LATÃO		881725-7
	—	—	LATÃO		881725-6
	—	PRATEADO	BRONZE FOSF.		881725-5
	—	PRATEADO	LATÃO		881725-4
	—	—	BRONZE FOSF.		881725-3
	—	ESTANHADO	LATÃO		881725-2
	—	—	LATÃO		881725-1
OTHER TREATMENT		FINISH	MATERIAL	PART NUMBER	

WIRE RANGE	INS. RANGE
>1,0-2,5mm ²	2,10-3,70mm ²

THIS DRAWING IS A CONTROLLED DOCUMENT.

DWN: R.K.S.T. LEME 14 JUN 2007
CHK: -/-
APVD: S.H. OLIVEIRA -/-

STE TE Connectivity

NAME: .156 DIA SHUR PLUG REC.

PRODUCT SPEC: -
APPLICATION SPEC: -
WEIGHT: -

MATERIAL: SEE TABLE
FINISH: -

CUSTOMER DRAWING

SIZE: A3 CAGE CODE: 00779 DRAWING NO: C-881725 RESTRICTED TO: -
SCALE: 4:1 SHEET: 1 OF 1 REV: D