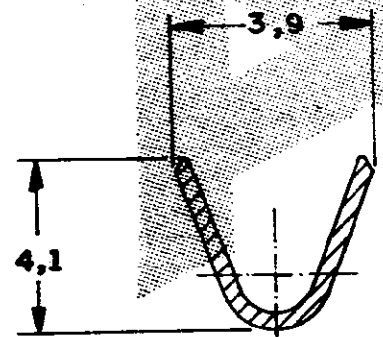
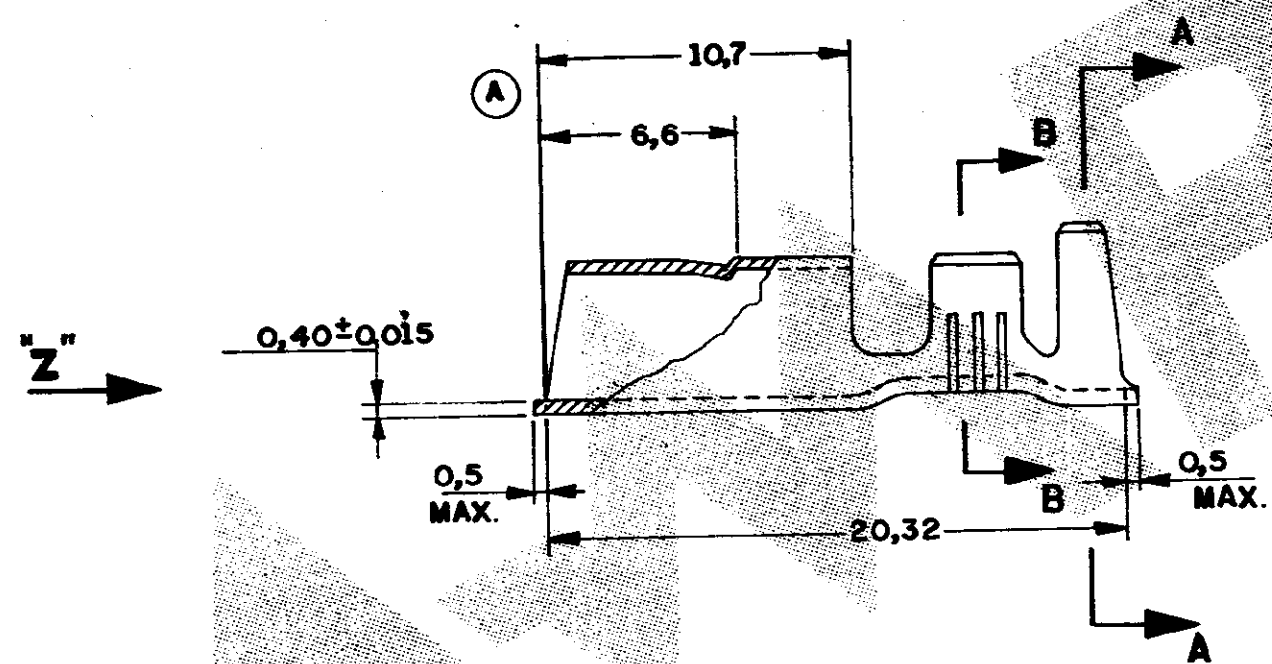
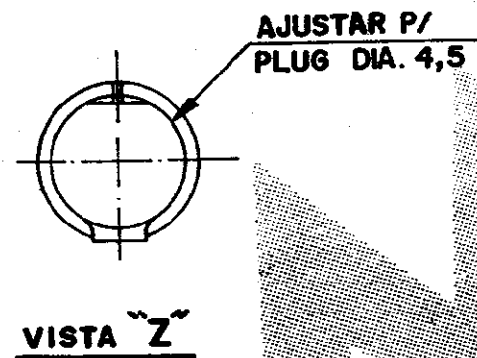
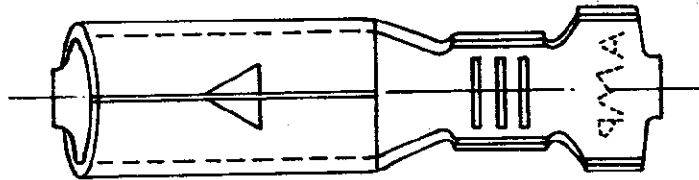
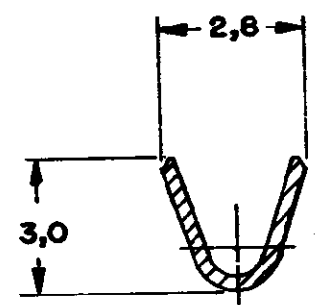


C881720

DO NOT SCALE DIMENSIONS IN	METRIC	3rd ANGLE PROJECTION
-------------------------------	---------------	----------------------



SECCÃO A - A



SECCÃO B - B

1 OBSOLETE PARTS: OBSOLETE CIS STREAMLINING PER D.RENAUD/D.SINISI

	ESTANHADO	BRONZE FOSF	1	-4
	— / —	BRONZE FOSF.	1	-3
	ESTANHADO	LATAO	1	-2
	— / —	LATAO	1	-1
		881720		
OTHER TREATMENT	FINISH	MATERIAL	PART NUMBER	
CUSTOMER DWG for REFERENCE ONLY		THIS DRAWING IS UNPUBLISHED RELEASED FOR PUBLICATION		
		© COPYRIGHT 19 BY AMP DO BRASIL LTDA S.P. ALL INTERNATIONAL RIGHTS RESERVED AMP PRODUCTS MAY BE COVERED BY U.S. AND FOREIGN PATENTS AND/OR PATENTS PENDING.		
TOLERANCES UNLESS OTHERWISE STATED		INS. DIA. RANGE	WIRE RANGE	SCALE
DEC. ± 0,3		1,4 - 2,7	0,5 - 1,0mm	2 / —
ANGLES ± 1°				
DR. 02-07-91		AMP do BRASIL LTDA São Paulo, Brasil		
DORIVAL ALVES ROCHA		DESCRIPTION		
CHK. JK.		.180 SHUR PLUG RECEPTOR		
A1	REVISED PER ECO-09-026444	KK	AEG	01DEC09
A	REVISADO EC 081-93	Dori	JR	14Abr-95
O	ERA P91-29138	DORI		02-07-91
REVISION	RECORD	DR	CHK	DATE
A3	DWG NO	C 881720		SHEET 1 of 1