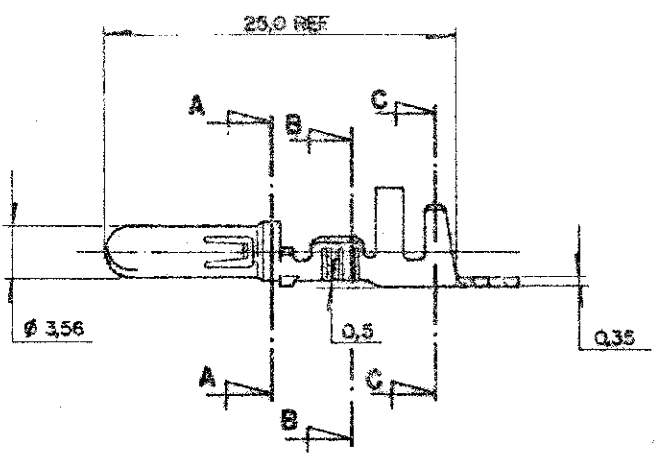
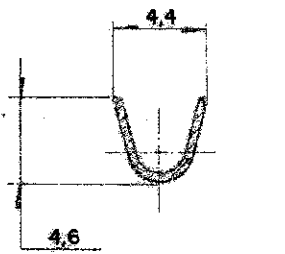
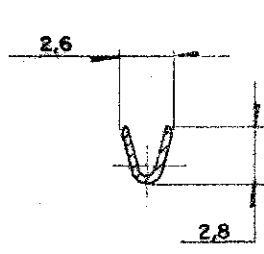
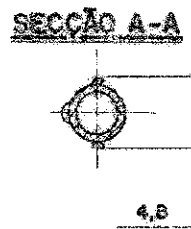
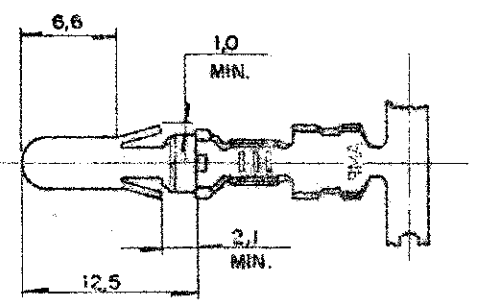
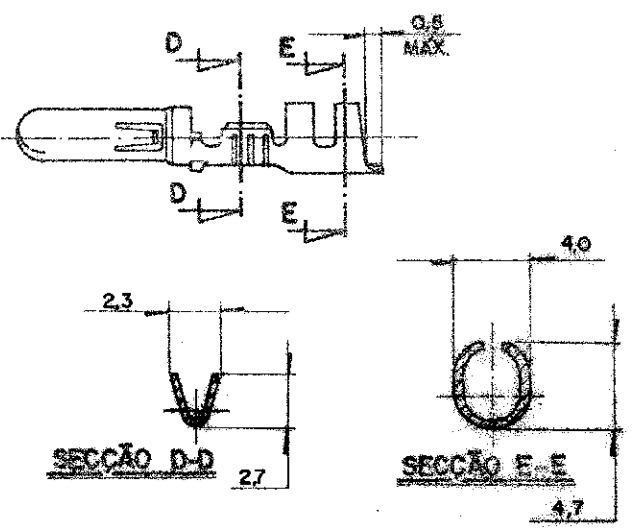


C 880684

DWG NO.		DO NOT SCALE		METRIC		3rd ANGLE PROJECTION	
		DIMENSIONS IN mm.					
REQ. PER ASSY	ITEM	DESCRIPTION	MATERIAL	FINISH			



DETALHE - LOOSE PIECE



NOTAS:

- 1- PARA CRIMPAGEM DA PEÇA SOLTA USAR FERR. MANUAL CRIMPAC II PN-828582.
- 2- OBSOLETE PARTS: OBSOLETE CIS STREAMLINING PER D.RENAUD/D.SINISI

OBSOLETE 2	3	PRATEADO	3
	4	ESTANHADO	4
	3		BRONZE FOSF.
	2	ESTANHADO	-2
	880684		LATÃO
			880684
	LOOSE PIECE	FINISH	MATERIAL
			PART NUMBER
CUSTOMER DWG for REFERENCE ONLY		THIS DRAWING IS UNPUBLISHED. RELEASED FOR PUBLICATION BY AMP DO BRASIL LTDA S.P. ALL INTERNATIONAL RIGHTS RESERVED AMP PRODUCTS MAY BE COVERED BY U.S. AND FOREIGN PATENTS AND/OR PENDING APPLIC.	
		TOLERANCES UNLESS OTHERWISE STATED	INS DIA RANGE WIRE RANGE SCALE
		DEC. ± 0.3	20+30mm 0.5 +1.0mm ²
		ANGLES ± 1°	
		DR. <i>H.C. Oliveira</i>	AMP do BRASIL LTDA. São Paulo, Brasil
		CHK. <i>F. DELUCA</i>	DESCRIPTION
		DR. <i>H.C. Oliveira</i>	!40 DIA PIN
		CHK. <i>F. DELUCA</i>	REV B1
B1	REVISED PER ECO-09-026444	27NOV00	
B	ECO 07-015016	H.C.	
A	ECO 07-015016	H.C.	
ISS	REVISION RECORD	DATE	AMP
	14/08/95		
A3	DWG NO	C 880684	SHEET 1 of 1