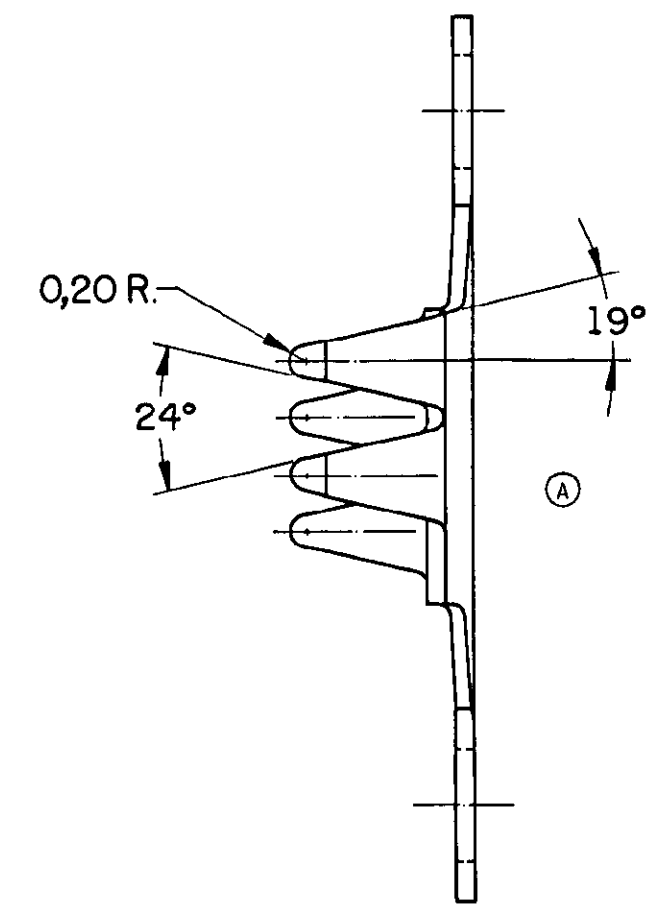
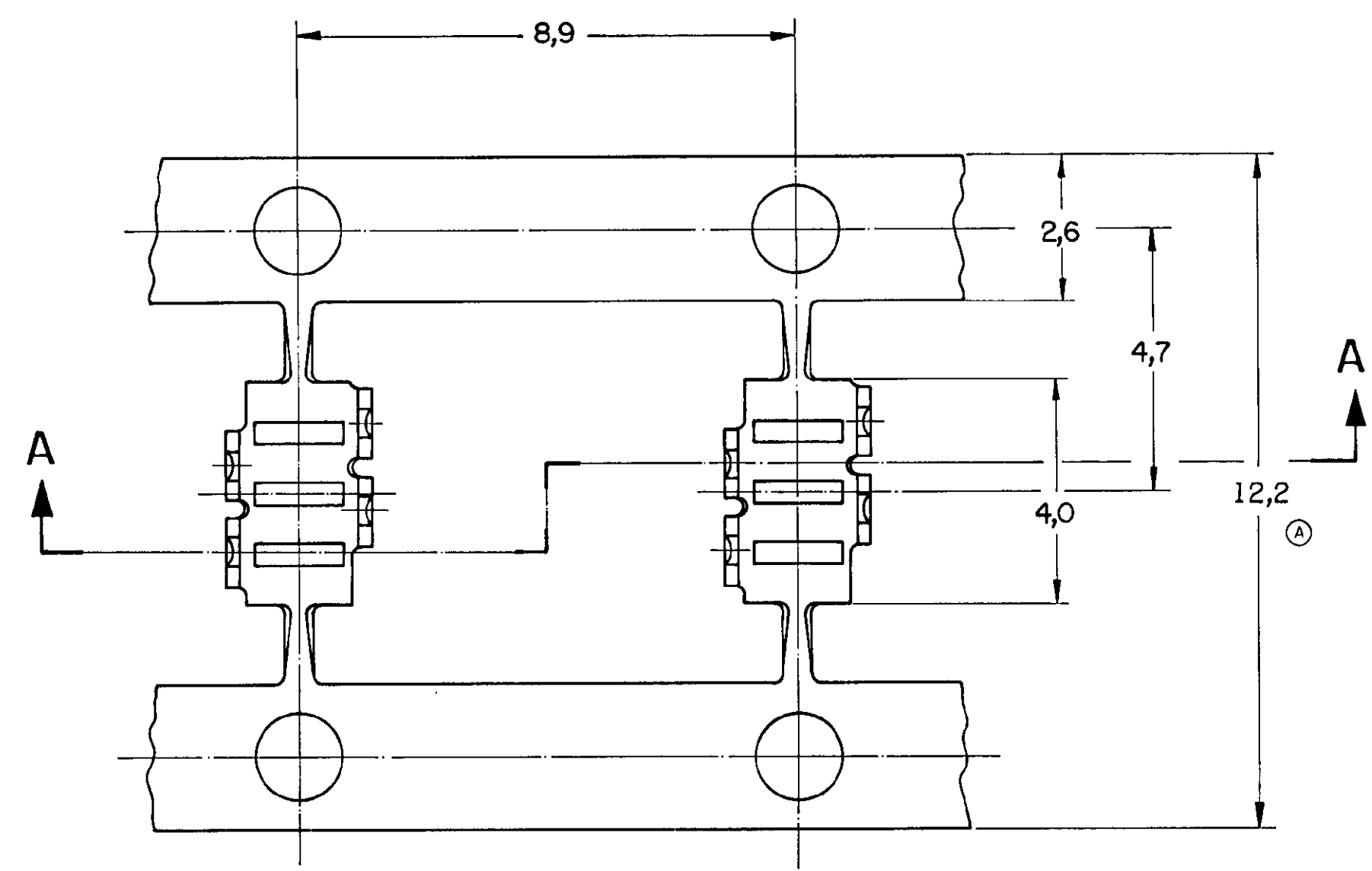
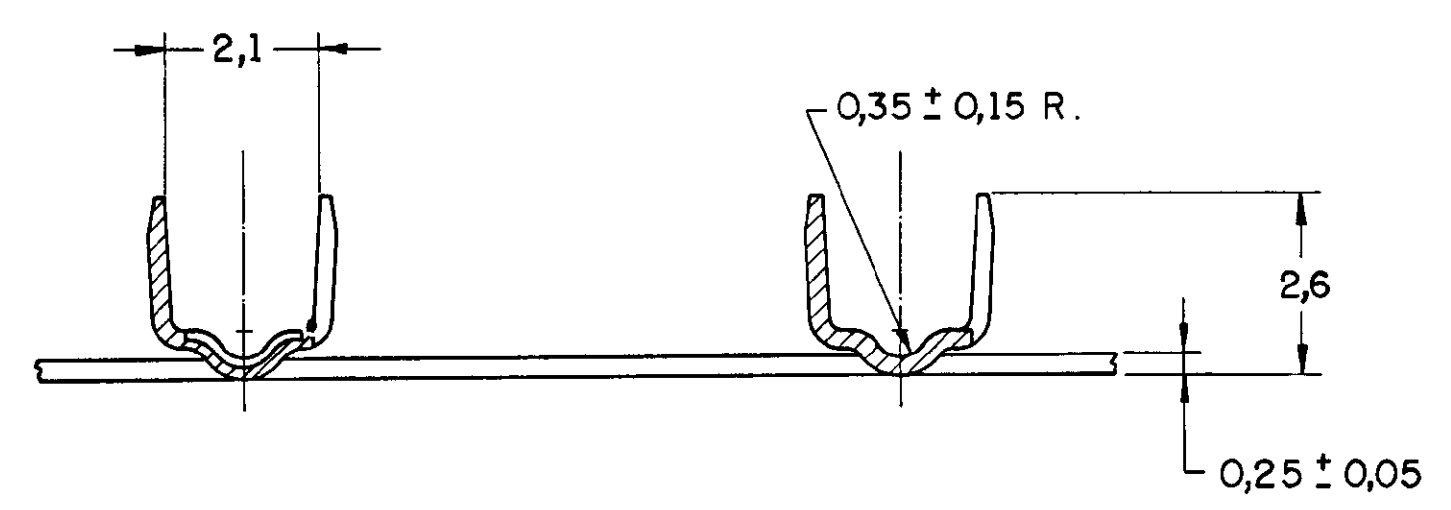


C 880668 1 of 1

DWG NO.	DO NOT SCALE		METRIC		3rd ANGLE PROJECTION
	DIMENSIONS IN mm.				
REQ. PER ASSY	ITEM	DESCRIPTION	MATERIAL	FINISH	



△ OBSOLETE PARTS: OBSOLETE CIS STREAMLINING PER D.RENAUD/D.SINISI



SECÇÃO A-A
SECTION

△ OBSOLETE		↑	LATÃO / BRASS	↑	- 2
		↑	PRÉ-ESTANHADO/PRE-TIN	BRONZE FOSF/PHOS BRONZE	880668 1
			FINISH	MATERIAL	PART NUMBER
CUSTOMER DWG for REFERENCE ONLY		THIS DRAWING IS UNPUBLISHED RELEASED FOR PUBLICATION			
		C COPYRIGHT 19 BY AMP DO BRASIL LTDA S.P. ALL INTERNATIONAL RIGHTS RESERVED AMP PRODUCTS MAYBE COVERED BY US AND FOREIGN PATENTS AND/OR PATENTS PENDING			
		TOLERANCES UNLESS OTHERWISE STATED		SCALE 10:1	
		DEC ±0,3			
		ANGLES ±2°			
		DR M.C. LAPRESA 19 MAY 93		AMP do BRASIL LTDA. São Paulo, Brasil	
		CHK <i>Fabrizio</i>		DESCRIPTION	
		A1 REVISED PER ECO-89-026444		FFC SPLICE	
		A REVISADO		A1	
		0 ERA P93-29059		SHEET 1 OF 1	
ISS REVISION RECORD		ECN	DR	DATE	APP
				28.01.93	