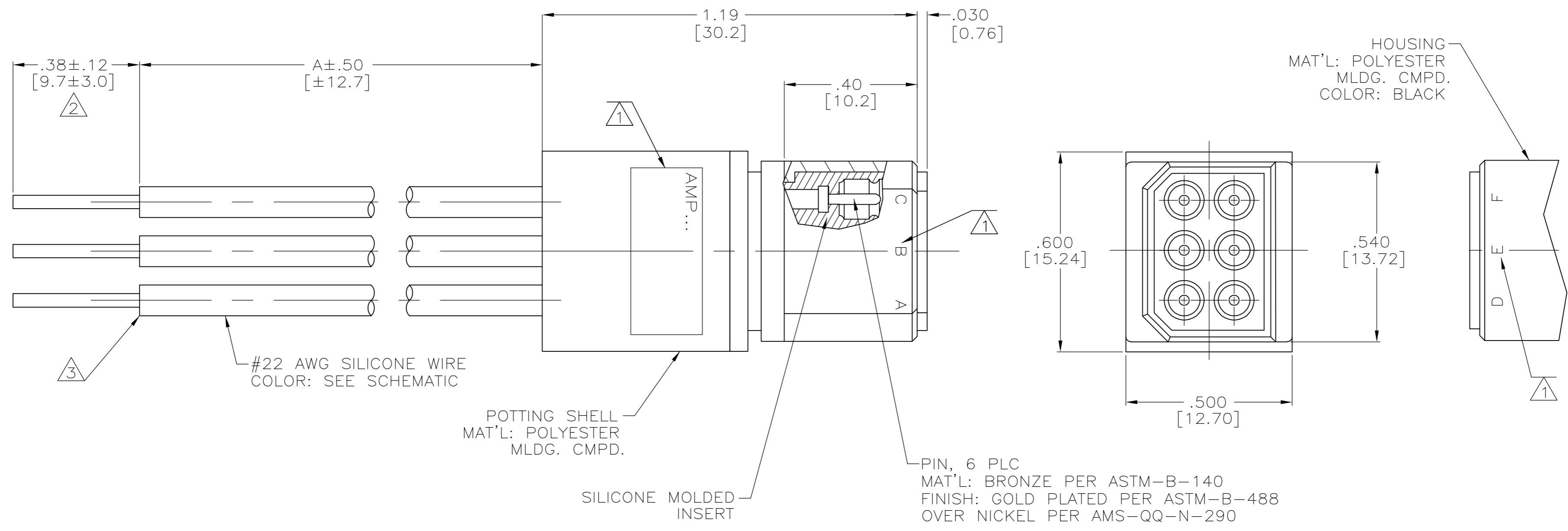


THIS DRAWING IS UNPUBLISHED. RELEASED FOR PUBLICATION - N/A .
 © COPYRIGHT N/A BY TYCO ELECTRONICS CORPORATION. ALL RIGHTS RESERVED.

| LOC | DIST | REVISIONS | | | | | |
|-----|------|-----------|-----|-----------------------|-------|-----|------|
| DF | SO | P | LTR | DESCRIPTION | DATE | DWN | APVD |
| | | E | | REV PER ECO-05-003302 | 08-05 | AA | DE |

- ① AMP INFO & CAVITY LETTERS MARKED PER MIL-STD-130.
- ② PIGTAILS ARE SOLDER DIPPED.
- ③ INSULATION CUT, BUT NOT REMOVED.



HOUSING
 MAT'L: POLYESTER
 MLDG. CMPD.
 COLOR: BLACK

POTTING SHELL
 MAT'L: POLYESTER
 MLDG. CMPD.

PIN, 6 PLC
 MAT'L: BRONZE PER ASTM-B-140
 FINISH: GOLD PLATED PER ASTM-B-488
 OVER NICKEL PER AMS-QQ-N-290

| | |
|---|-------|
| A | BROWN |
| B | RED |
| C | GREEN |
| D | BLUE |
| E | BLACK |
| F | WHITE |

SCHEMATIC

| REMARKS | A DIM | PART NO. |
|----------|---------------|------------|
| ③ | 24.00 [609.6] | 5-867463-2 |
| ② | 36.00 [914.4] | 867463-3 |
| ② | 24.00 [609.6] | 867463-2 |
| ② | 12.00 [304.8] | 867463-1 |
| OBSOLETE | | |

| | | | | |
|--|---|--------------------------------|---|--|
| THIS DRAWING IS A CONTROLLED DOCUMENT. | | DWN C.C.THOMAS 15AUG2005 | Tyco Electronics Corporation Harrisburg, Pa 17105-3608 | |
| DIMENSIONS: INCHES | TOLERANCES UNLESS OTHERWISE SPECIFIED: | CHK D.EABY 13-OCT-93 | APVD D.EABY 13-OCT-93 | NAME |
| | 0 PLC ± - 1 PLC ± - 2 PLC ± .03 [0.8] 3 PLC ± .005 [0.13] 4 PLC ± - ANGLES ± - | PRODUCT SPEC | APPLICATION SPEC | PLUG ASSY 6 POSN WITH FLYING LEADS LGH |
| MATERIAL SEE CALLOUTS | FINISH SEE CALLOUTS | WEIGHT - | SCALE A2 | CAGE CODE 00779 |
| CUSTOMER DRAWING | | SCALE 4:1 | SHEET 1 OF 1 | REV E |

867463