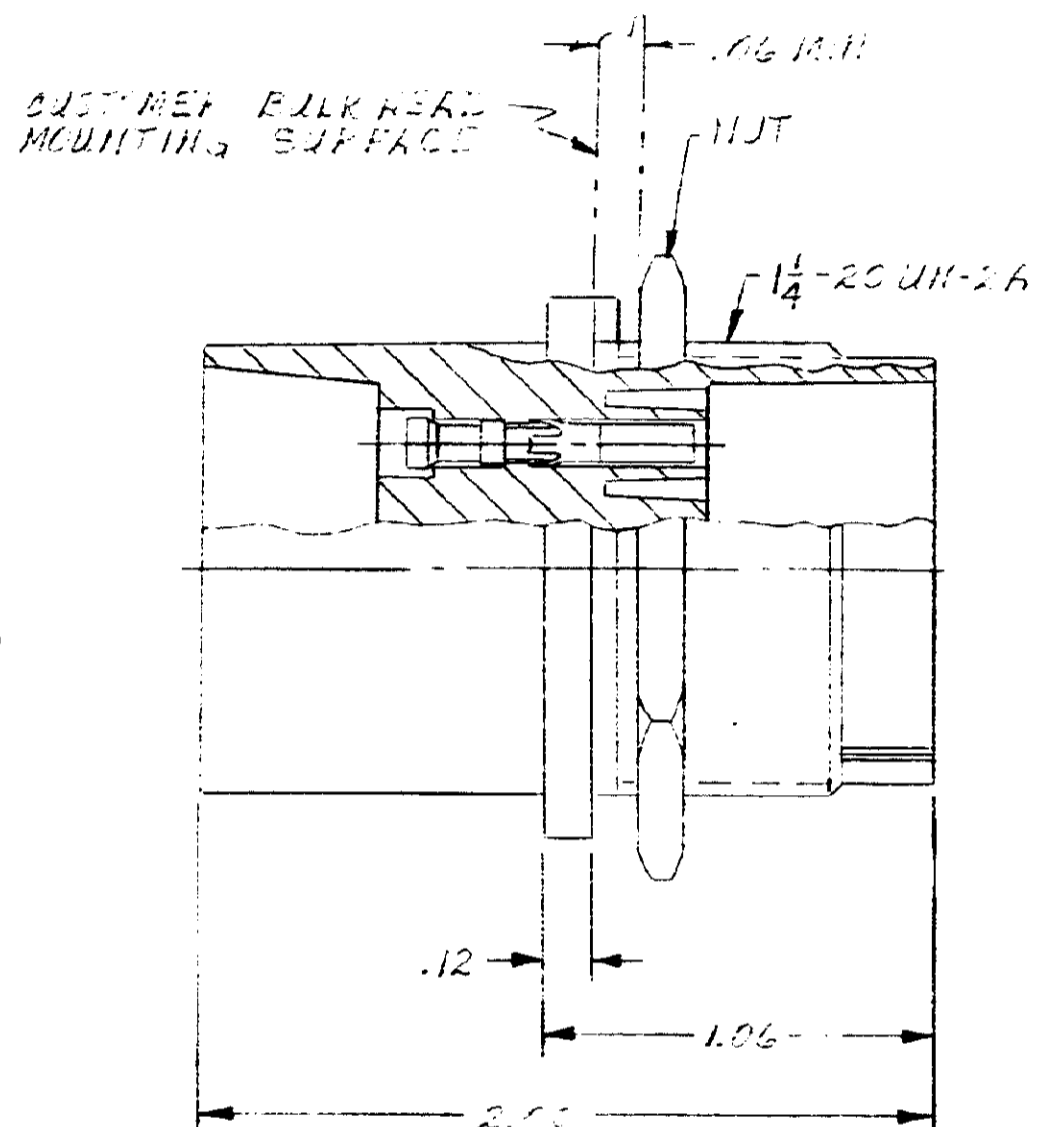


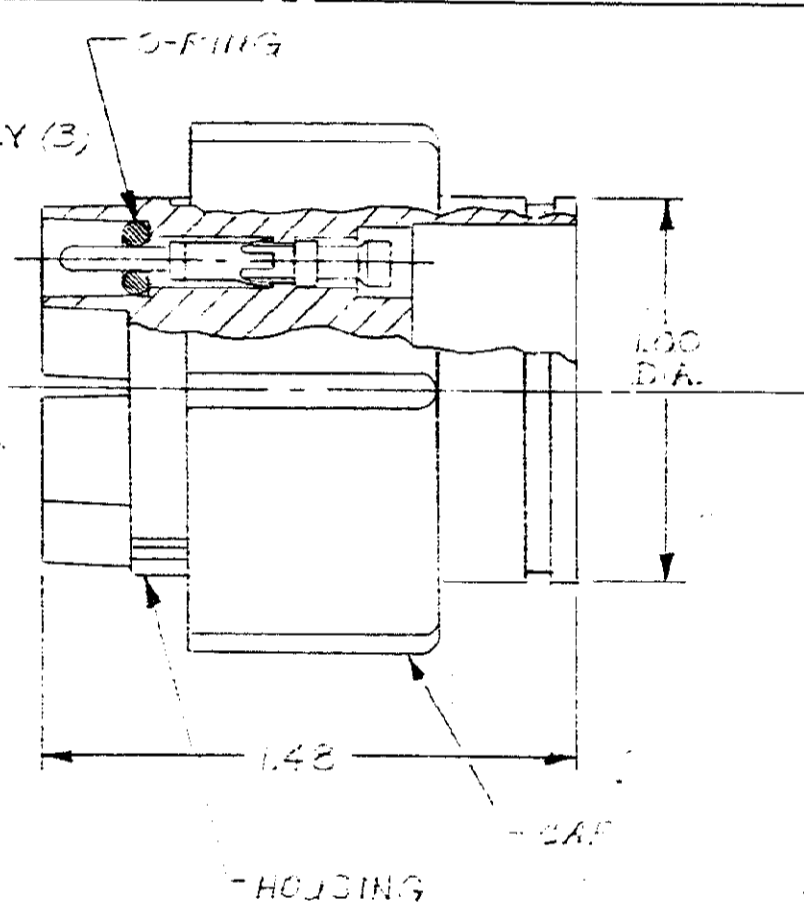
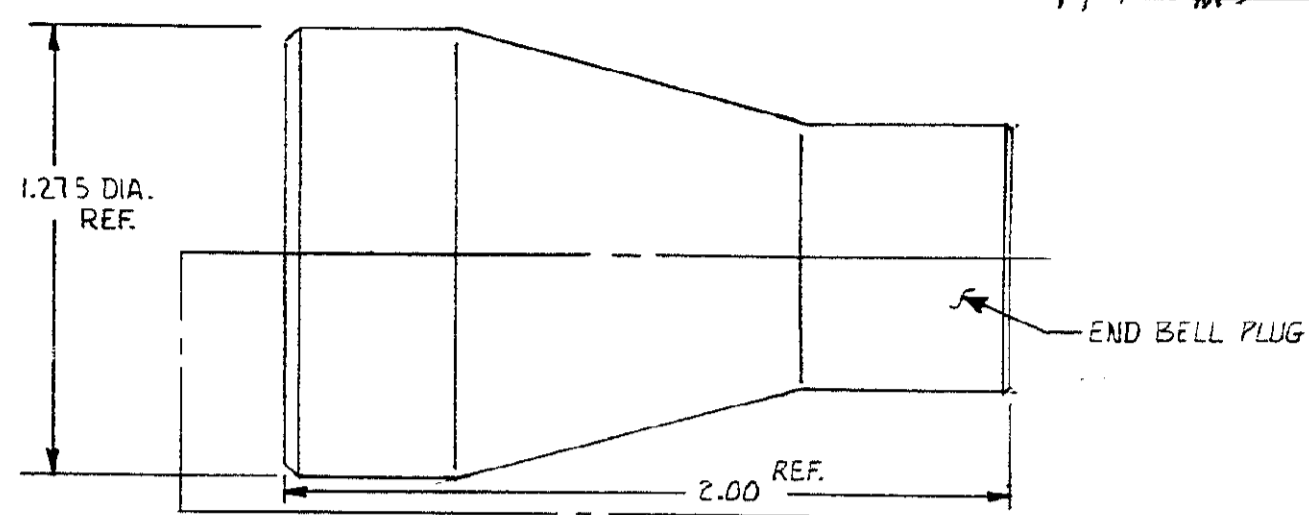
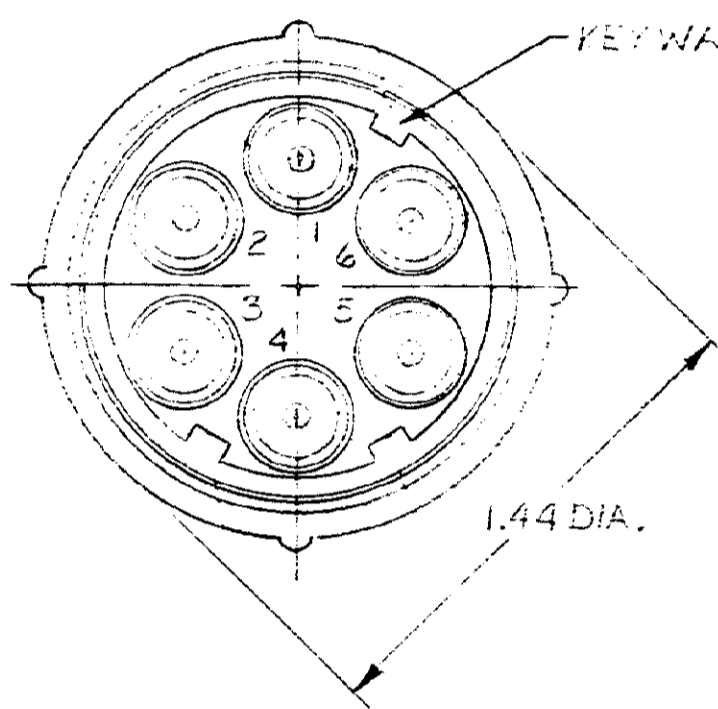
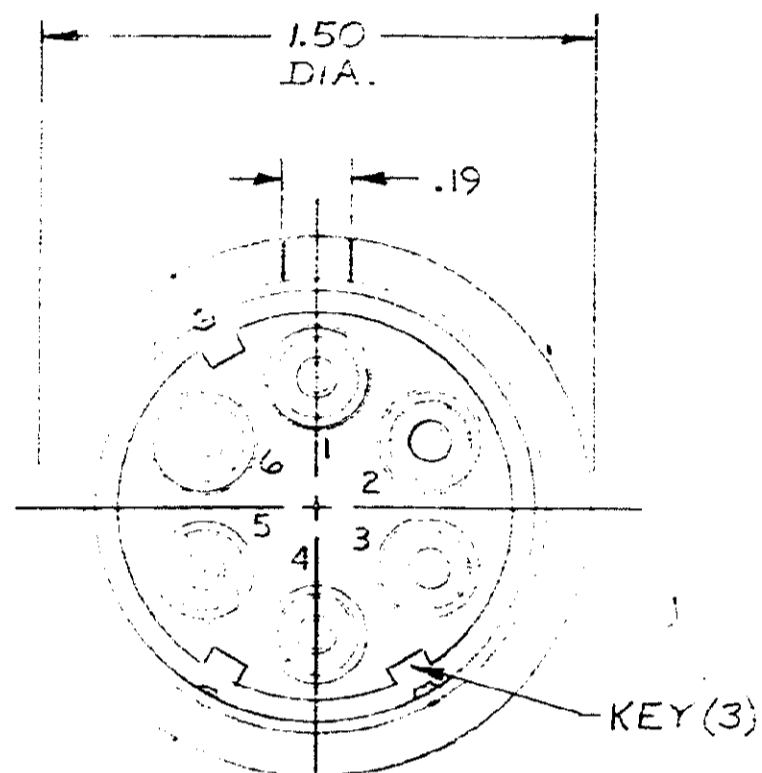
© COPYRIGHT 1976 BY AMP INCORPORATED, HARRISBURG, PA. ALL INTERNATIONAL RIGHTS RESERVED.

THIS PRODUCT AND THE NAME OF AMP INCORPORATED ARE REGISTERED TRADEMARKS OF AMP INCORPORATED. NO PART OF THIS DRAWING IS TO BE REPRODUCED OR TRANSMITTED IN ANY FORM OR BY ANY MEANS WITHOUT THE WRITTEN PERMISSION OF AMP INCORPORATED.

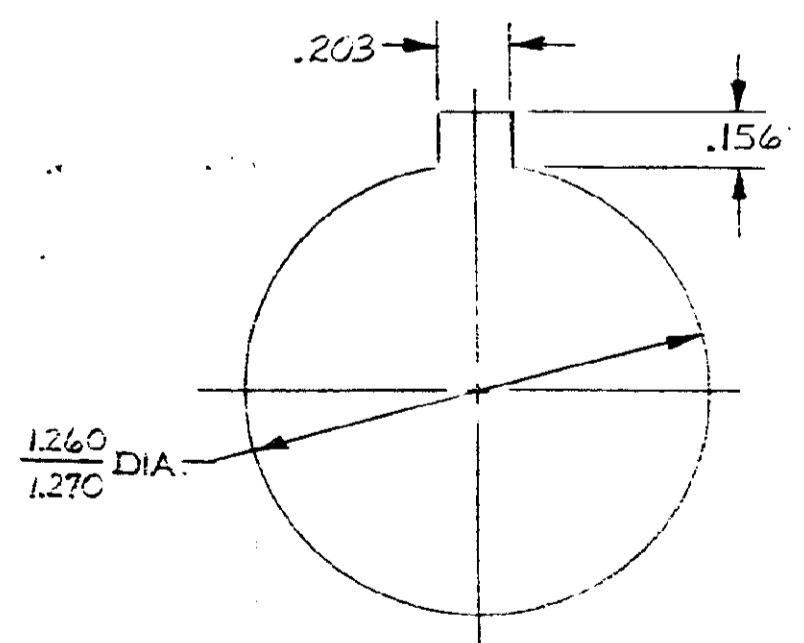
REVISIONS				
ZONE	LTR	DESCRIPTION	DATE	APPROVED
B-2	A	RECEPTACLE WIRE - 1, 2, 4-3	EN 2/27/79	W. J. B.
	B	REV. EN 8/5/80	EN 8/6/79	W. J. B.



RECEPTACLE
859527



PLUG
863023



RECOMMENDED PANEL CUTOUT

AMP P/N	RCPT.	PLUG	WIRE SIZE RANGE	HAND TOOL
863018-1	859527-4	863023-1	20, 22, 24	45099
863018-2	859527-5	863023-2	16, 18	45098
863018-3	859527-6	863023-3	14	45098

- NOTE
- TYPE II PINS & SOCKETS TO ACCEPT ONE (1) 14 AWG STRANDED WIRE.
 - TYPE II PINS & SOCKETS TO ACCEPT ONE (1) 22 AWG, (1) 20 AWG, OR (1) 24 AWG STRANDED WIRE.
 - TYPE II PINS & SOCKETS TO ACCEPT ONE (1) 16 AWG OR (1) 18 AWG STRANDED WIRE.
 - PINS & SOCKETS SUPPLIED SEPARATELY IN A PLASTIC BAG.
 - TYPE II PINS & SOCKETS GOLD PLATED PER MIL-G-45204 TYPE II .00005 MIN THK.

QTY REQD	QTY REQD	ITEM NO.	DWG SIZE	PART OR IDENTIFYING NO.	NOMENCLATURE OR DESCRIPTION	SYMBOL
-2	-1					

QTY REQD	FINAL ASSY	NEXT ASSY	USED ON	APPLICATION

UNLESS OTHERWISE SPECIFIED:
DIMENSIONS ARE IN INCHES
TOLERANCES
.00 ±
.000 ±
ANGLES = J

MATERIAL:
MOLDED PLASTIC

FINISH:
BLACK

CONTRACT NO.
DR
DICK STONE 3-1-76
CHK
APPD
M. Jordan 3/3/76
APPD
DSGN APPD
OTHER APPD

AMP INCORPORATED
CAPTRON DIVISION
ELIZABETHTOWN, PENNSYLVANIA

NAME
6 PIN PLUG & RECEPTACLE KIT
LGH

SIZE C
CODE IDENT NO. 00779
NUMBER 863018
SCALE 2-1
SHEET 1 OF 1

PRINT DIST
437