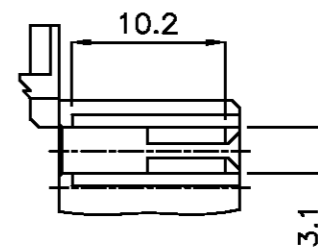
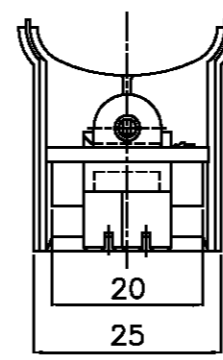
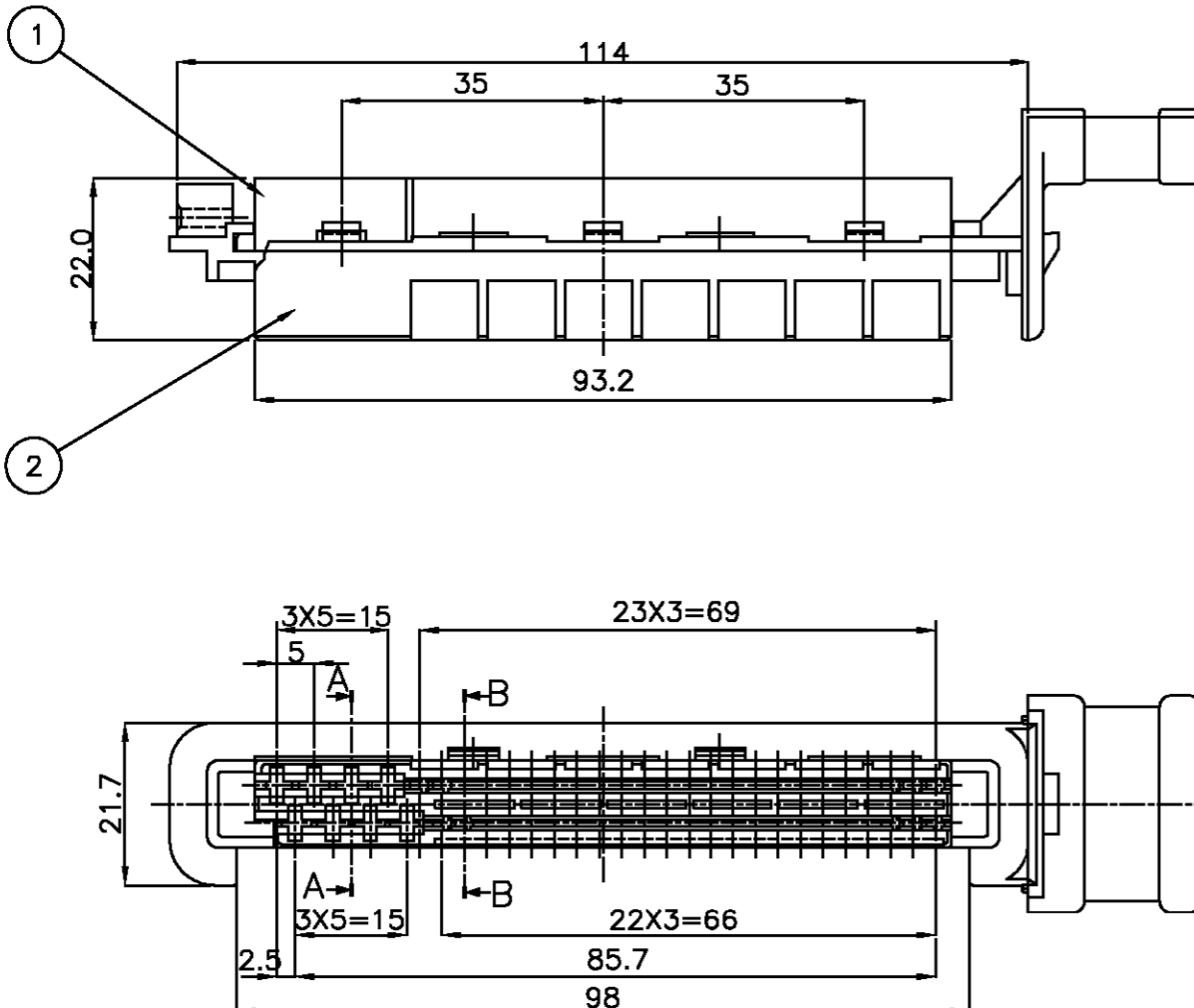
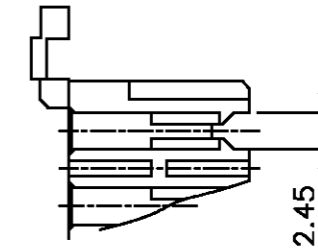


LOC	DIST	REVISIONS					
		P	LTR	DESCRIPTION	DATE	DWN	APVD
DS		E		REVISED (FC00-0128-03)	04/SEP/03	JW	CS



SECT A-A



SECT B-B

NOTES

1. APPLICABLE HSG NO : 85174
2. APPLICABLE REC. CONTACT P/N : 928939 / 929954 / 170209 / 170439

THIS DRAWING IS A CONTROLLED DOCUMENT FOR TYCO ELECTRONICS CORPORATION. IT IS SUBJECT TO CHANGE AND THE CONTROLLING ENGINEERING ORGANIZATION SHOULD BE CONTACTED FOR THE LATEST REVISION.

DIMENSIONS: mm	TOLERANCES UNLESS OTHERWISE SPECIFIED: 0 <XX<10 ± 0.2 10<XX<30 ± 0.25 30<XX ± 0.3 ANGLES ± 3°
3rd ANGLE PROJECTION	
MATERIAL SEE TABLE	COLOR SEE TABLE

NO	P/N	DESCRIPTION	MATERIAL	COLOR	REQUIRED QTY
2	85195-2	LOWER PART HSG	NYLON 66 W/GF	BLACK	1
1	85194-2	UPPER PART HSG	NYLON 66 W/GF	BLACK	1

DWN: JW JUNG				AMP KOREA, kyungsan, korea	
CHK: BM JANG				NAME	
APVD: CS LEE		JR+MICRO TIMER 55P PLUG ASS'Y			
PRODUCT SPEC		SIZE	CAGE CODE	DRAWING NO	RESTRICTED TO
APPLICATION SPEC		A300779C		= 85193	
WEIGHT		CUSTOMER DRAWING			
		SCALE	SHEET	REV	
		2/1	1 OF 1	E	

P/N	DESCRIPTION
85193-2	JR+MICRO TIMER 55P PLUG ASSY