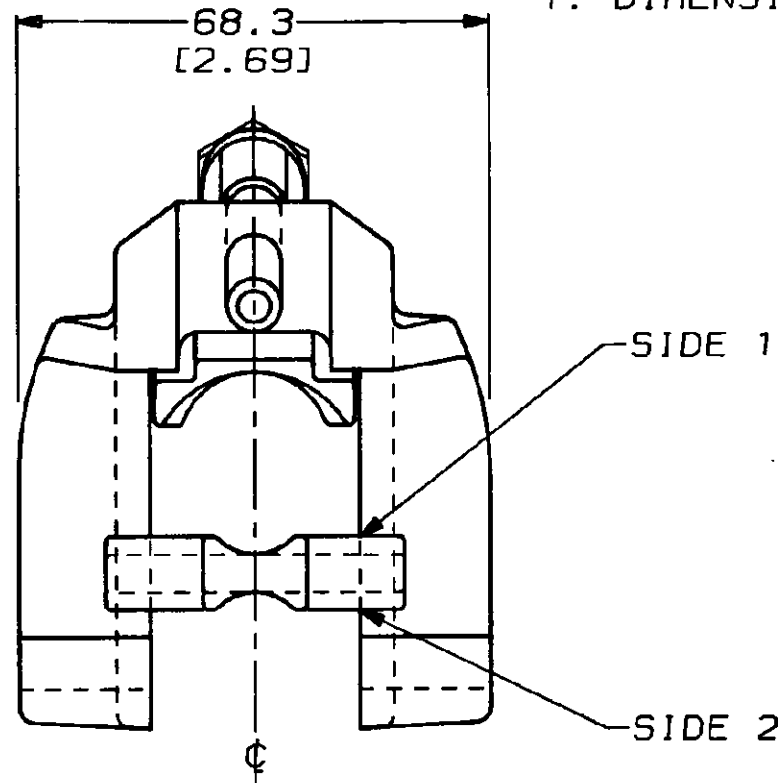
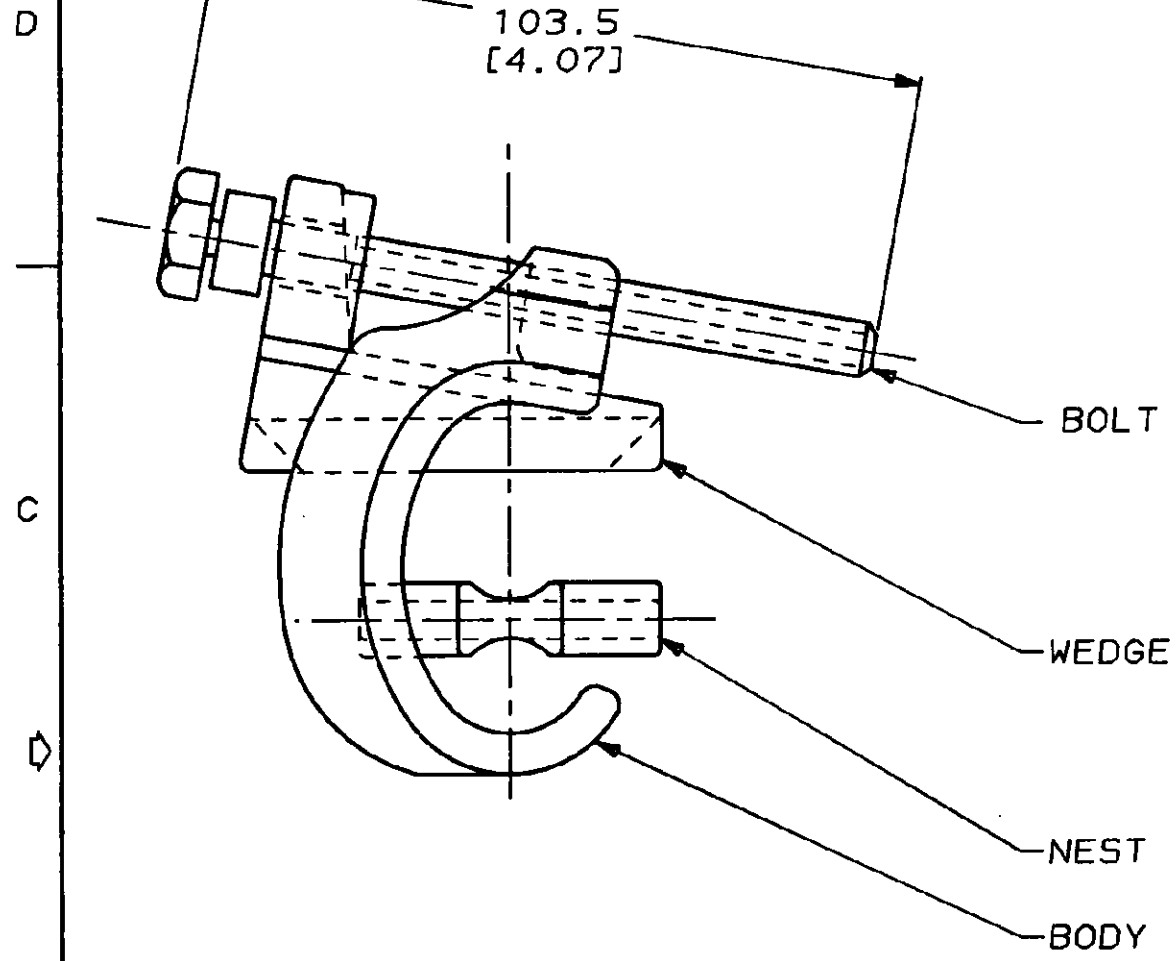


THIS DRAWING IS UNPUBLISHED. RELEASED FOR PUBLICATION ,19

© COPYRIGHT 19 BY AMP OF CANADA LTD. ALL INTERNATIONAL RIGHTS RESERVED.

LOC	DIST	P	F	ZONE	LTR	DESCRIPTION	DATE	APPD
BG	1					REV PER 2000-040-94	4/2/94	<i>[Signature]</i>



1. DIMENSIONS ARE FOR REFERENCE ONLY.

WIRE SIZE	WIRE SIZE	PART NO
500	500	83750-6
400	500	83750-5
450	500	83750-4
350	500	83750-3
300	500	83750-2
250	250	83750-1
SIDE 2	SIDE 1	

DO NOT SCALE PRINT. UNLESS SPECIFIED DIMENSIONS IN mm (INCHES) TOLERANCES ON: 2 PLC DEC * - 3 PLC DEC * - ANGLES * -	DR C. RICHTER 24NOV93	AMP AMP of CANADA Ltd. Markham, Ont.	
	CHK -		
MATERIAL N/A	APPD <i>[Signature]</i>	CONNECTOR, SYMMETRICAL NEST, LARGE, GROUNDING GRID	
FINISH N/A	PRODUCT SPEC -	SIZE B	CAGE CODE 09482
	APPLICATION SPEC -	DRAWING NO 83750	
	WEIGHT -	SCALE 1:1	SHEET 1 OF 1

METRIC

S. R3750.F.1.C plotted by SYSTEM on 27 APR 1994 at 08:41:49 from <CAD/CAM>AMPCAN>WIP>U.040-94