

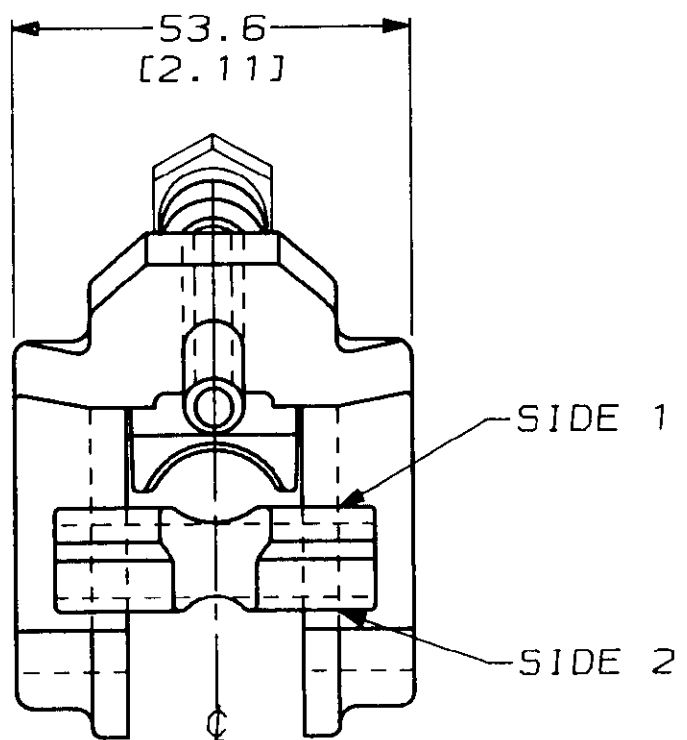
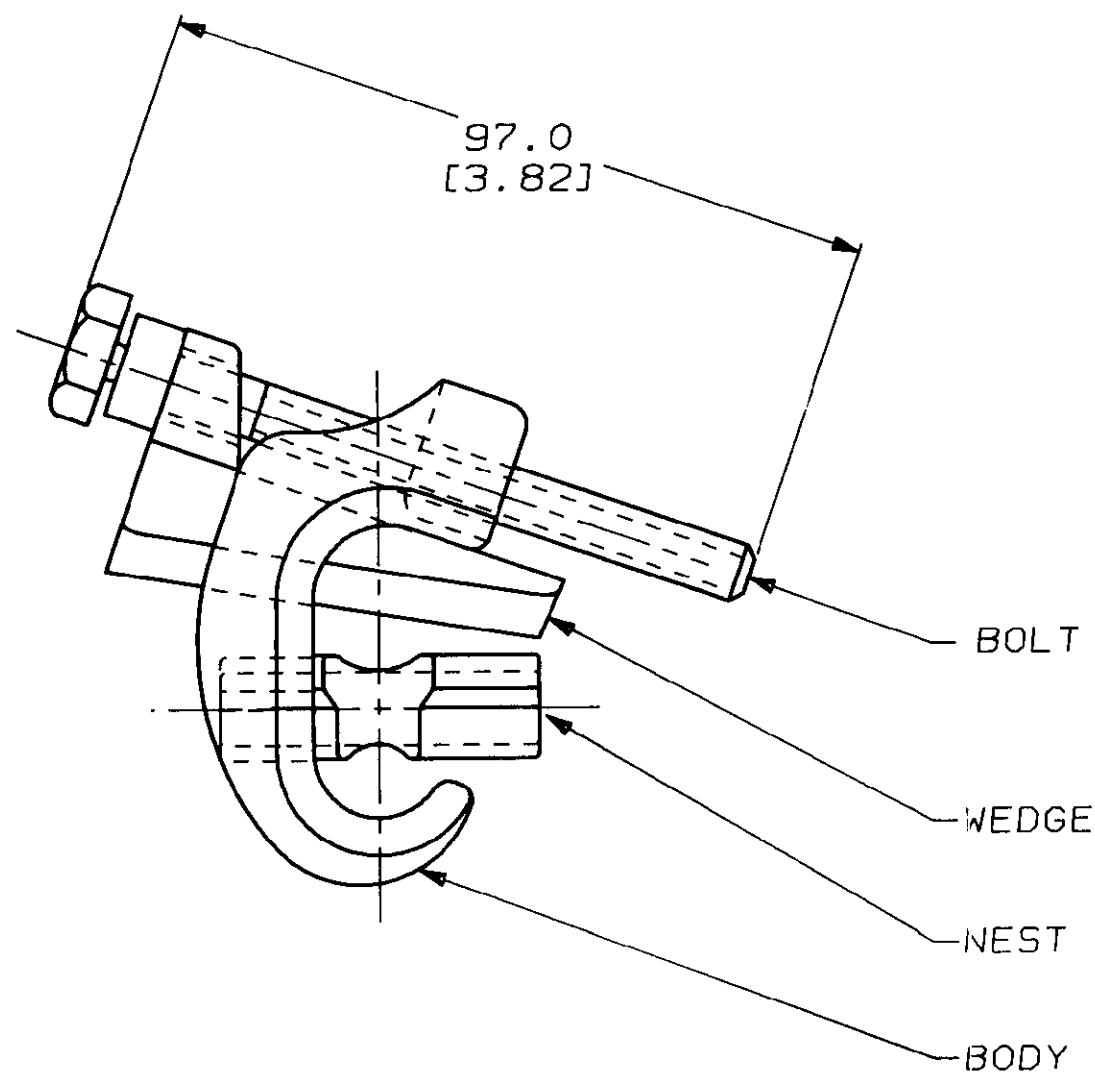
DRAWING MADE IN THIRD ANGLE PROJECTION

THIS DRAWING IS UNPUBLISHED. RELEASED FOR PUBLICATION ,19 .

© COPYRIGHT 19 BY AMP OF CANADA LTD. ALL INTERNATIONAL RIGHTS RESERVED.

LOC	DIST	P	F	ZONE	LTR	DESCRIPTION	DATE	APPD
BG	1				A	INITIAL REL PER EC-2000-121-93	24N093	<i>Am</i>

1. DIMENSIONS ARE FOR REFERENCE ONLY.



#2	400	450	83749-4
#2	350		83749-3
3/0	3/0		83749-2
#2	5/8 CU CLAD	250	83749-1
SIDE 2	SIDE 1		PART NO

DO NOT SCALE PRINT. UNLESS SPECIFIED DIMENSIONS IN mm [INCHES] TOLERANCES ON: 2 PLC DEC * - 3 PLC DEC * - ANGLES * -	DR	C. RICHTER	<b>AMP</b> AMP of CANADA Ltd. Markham, Ont.
	CHK	24NOV93	
	APPD	<i>Am</i>	
	APPD	<i>Am</i>	
MATERIAL	N/A	PRODUCT SPEC	NAME
FINISH	N/A	APPLICATION SPEC	CONNECTOR, ASYMMETRICAL NEST, SMALL, GROUNDING GRID
		WEIGHT	SIZE
			CAGE CODE
			DRAWING NO
			SCALE
			SHEET

**METRIC**