

4

3

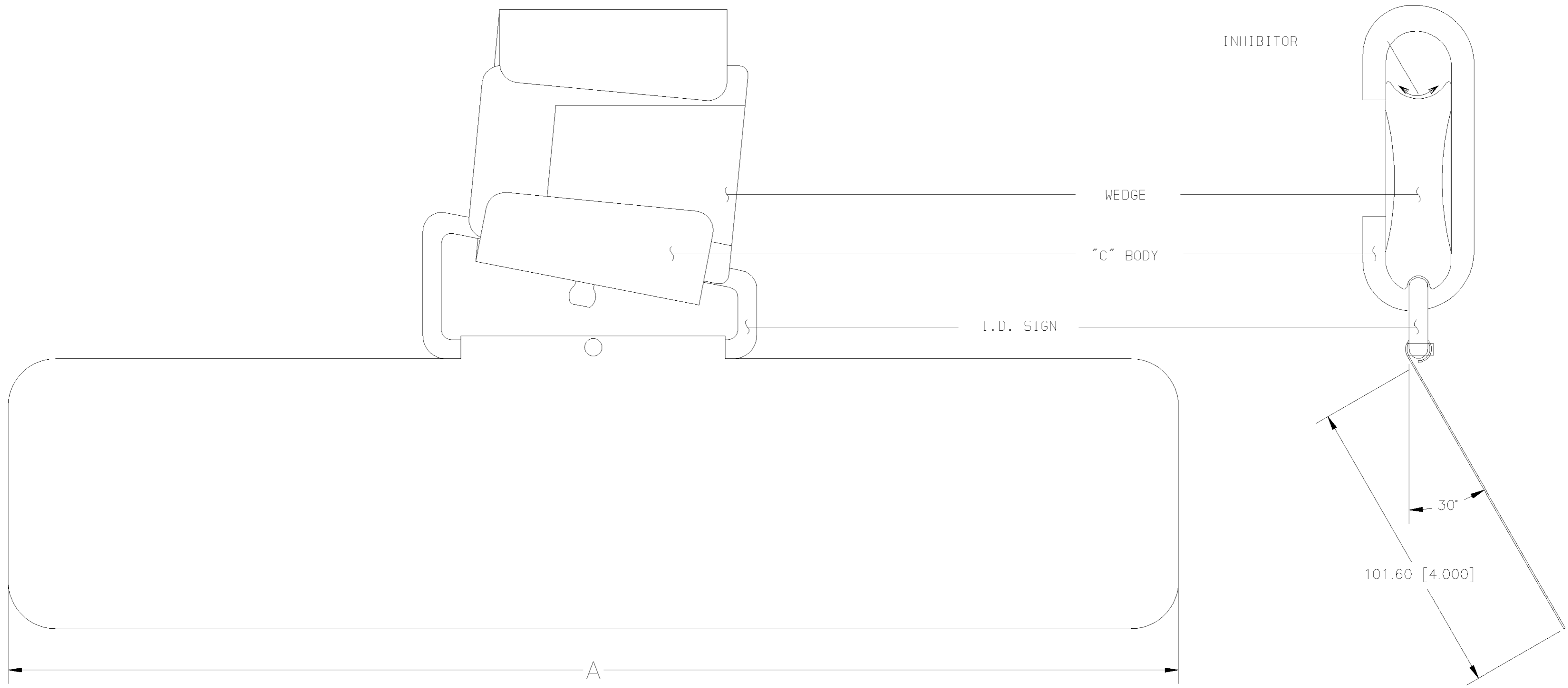
2

1

THIS DRAWING IS UNPUBLISHED. RELEASED FOR PUBLICATION
 © COPYRIGHT BY TYCO ELECTRONICS CORPORATION. ALL RIGHTS RESERVED.

LOC		DIST		REVISIONS			
P	LTR	DESCRIPTION		DATE	DWN	APVD	
GA	1	E	REVISED PER EC LC20-0036-02	09 APR 02	DR	PC	

1. DIMENSIONS ARE FOR REFERENCE ONLY



A

E			
A	ACCOMMODATES	COLOR	PART NO
457.20 [18.000]	336.4 AAC - 556.5 AAC	BLACK	83005-6
393.70 [15.50]	4/0 - 266.8	BLACK	83005-5
393.70 [15.50]	#2-1/0	BLACK	83005-4
393.70 [15.50]	795 AAC, ACSR	BLACK	83005-3
393.70 [15.50]	336.4 AAC - 556.5 AAC	BLACK	83005-2
393.70 [15.50]	2/0 - 4/0	BLACK	83005-1

THIS DRAWING IS A CONTROLLED DOCUMENT.		DWN V. COTA MAY 92	Tyco Electronics Corporation	
DIMENSIONS: MM / [INCH]		CHK R. LARICCHIA MAY 92	Markham, ON L3R 1E1	
TOLERANCES UNLESS OTHERWISE SPECIFIED:		APVD R. LARICCHIA MAY 92	NAME I.D. SIGN, AMPACT	
0 PLC ± 1 PLC ± 2 PLC ± 3 PLC ± 4 PLC ± ANGLES ± FINISH		APPLICATION SPEC	SIZE A2	RESTRICTED TO
MATERIAL		WEIGHT	CAGE CODE 00779	DRAWING NO 83005
		CUSTOMER DRAWING	SCALE NTS	SHEET 1 OF 1