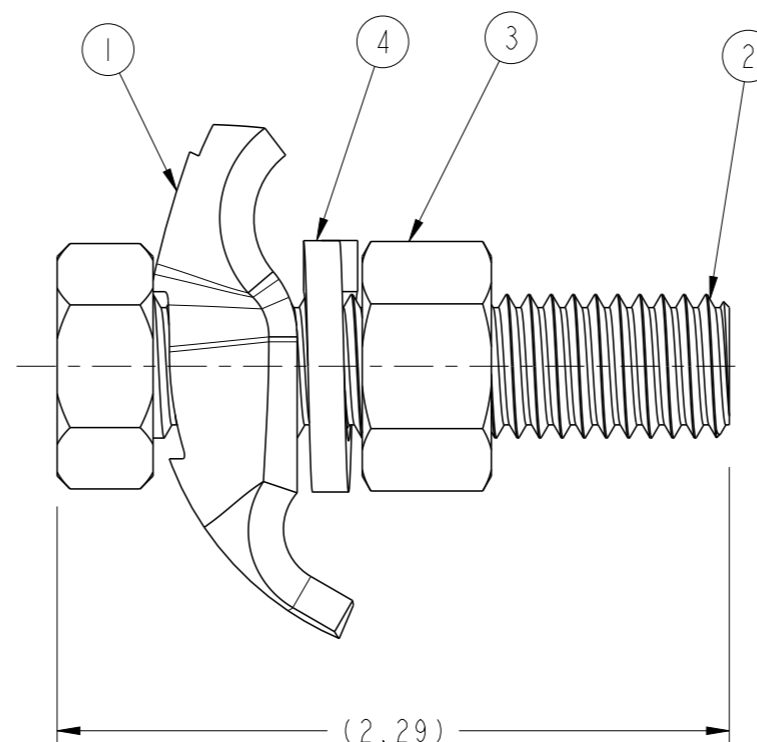
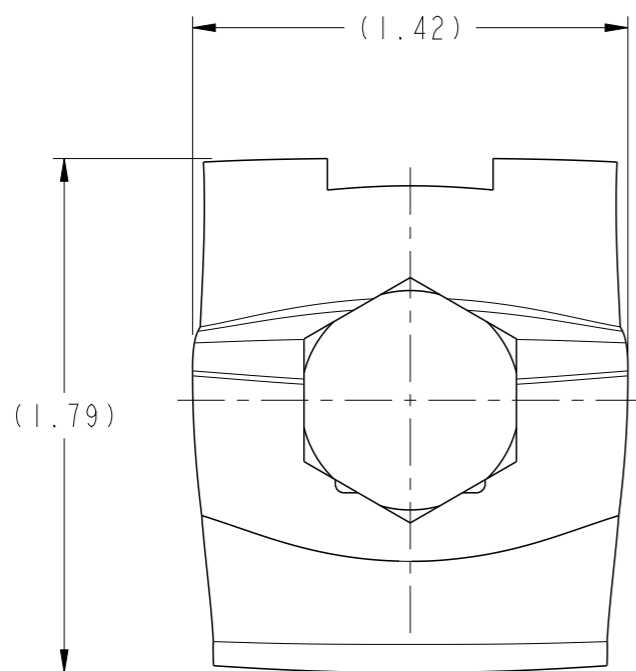


REVISIONS

P	LTR	DESCRIPTION	DATE	DWN	APVD
	A	INITIAL RELEASE PER LC20-0070-21	21JUN2021	SM	JO



NOTES:

1. ACCOMMODATION:
4 AWG SOLID TO 350 MCM (SINGLE CONDUCTOR)
1/0 AWG TO 4/0 AWG (TWO CONDUCTORS).
2. DIMENSIONS ARE FOR REFERENCE ONLY.

SILICON BRONZE	UNPLATED	81417-3
HARDWARE	FINISH	PART NO.

QTY	DESCRIPTION	ITEM
1	LOCK WASHER STR CLIP	4
1	HEX NUT, 1/2-13 UNC, SILICON BRONZE	3
1	BOLT, 1/2-13 UNC, SILICON BRONZE	2
1	TOP STAMPING STR CL UNPLT	1
-3		

THIS DRAWING IS A CONTROLLED DOCUMENT.		DWN SATYA.M 21JUN2021												
DIMENSIONS: INCHES		CHK J.GUPPY 21JUN2021												
TOLERANCES UNLESS OTHERWISE SPECIFIED:		APVD J.OPEL 21JUN2021												
<table border="0"> <tr> <td>0 PLC</td> <td>±-</td> </tr> <tr> <td>1 PLC</td> <td>±-</td> </tr> <tr> <td>2 PLC</td> <td>±-</td> </tr> <tr> <td>3 PLC</td> <td>±-</td> </tr> <tr> <td>4 PLC</td> <td>±-</td> </tr> <tr> <td>ANGLES</td> <td>±-</td> </tr> </table>		0 PLC			±-	1 PLC	±-	2 PLC	±-	3 PLC	±-	4 PLC	±-	ANGLES
0 PLC	±-													
1 PLC	±-													
2 PLC	±-													
3 PLC	±-													
4 PLC	±-													
ANGLES	±-													
MATERIAL	FINISH	PRODUCT SPEC	SIZE	CAGE CODE	DRAWING NO	RESTRICTED TO								
-	-	-	A3	00779	81417	-								
CUSTOMER DRAWING			SCALE	SHEET	OF	REV								
			3:2	1	1	A								