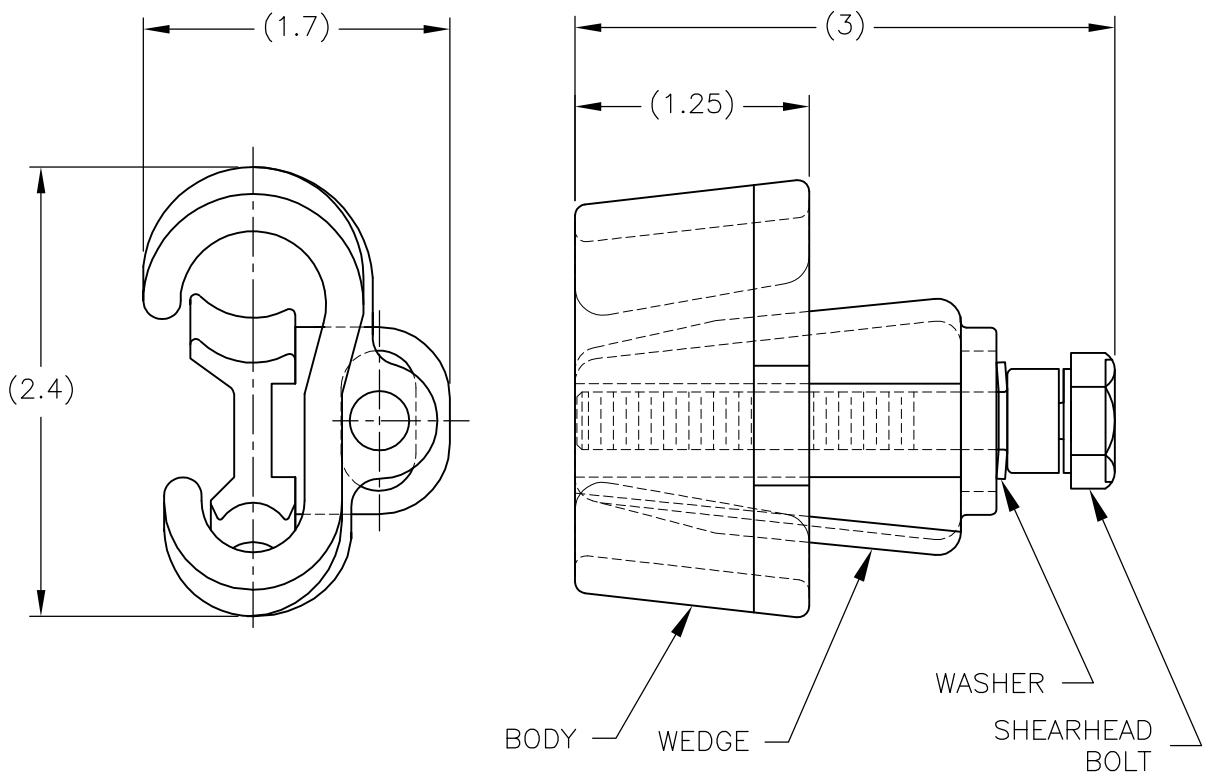


THIS DRAWING IS UNPUBLISHED. RELEASED FOR PUBLICATION
 © COPYRIGHT - By - ALL RIGHTS RESERVED.

| LOC | DIST | REVISIONS | | | |
|-----|------|-------------|------------------------------|-----------|-------|
| P | LTR | DESCRIPTION | DATE | DWN | APVD |
| | 1 | F1 | LC20-0101-12 / ECO-12-021287 | 03DEC2012 | DM BJ |

- 1 MATERIAL:
 BODY & WEDGE - COPPER ALLOY, 80% MIN COPPER CONTENT
 BOLT - SILICON BRONZE.
 WASHER - STAINLESS STEEL.
2. ANTI-OXIDATION INHIBITOR APPLIED TO GROOVES OF BODY AND WEDGE.
3. DIMENSIONS ARE FOR REFERENCE ONLY



| | | |
|-------------------|--|----------|
| 5/8 inch CU CLAD | #2 Sol, Str Cu | 80408-8 |
| 5/8 inch CU CLAD | #10 Sol, Str Cu #8 Sol, Str Cu #6 SOL Cu | 80408-7 |
| 3/4 inch CU CLAD | 1/0 Sol, Str Cu 0.334 TDC | 80408-6 |
| 3/4 inch GALV STL | 1/0 Sol, Str Cu | |
| 3/4 inch CU CLAD | #2 Sol, Str Cu | 80408-5 |
| 3/4 inch GALV STL | #4 Sol, Str Cu | |
| 3/4 inch GALV STL | #6 Sol, Str Cu | 80408-4 |
| 3/4 inch CU CLAD | #4 Sol, Str Cu | |
| 3/4 inch CU CLAD | #6 Sol, Str Cu | 80408-3 |
| 5/8 inch GALV STL | #6 Sol, Str Cu | 80408-2 |
| 5/8 inch CU CLAD | #6 Sol, Str Cu #4 Sol, Str Cu | |
| RUN | | TAP |
| CONDUCTOR RANGE | | PART NO. |

| DIMENSIONS: | | TOLERANCES UNLESS OTHERWISE SPECIFIED: | | DWN | | TE Connectivity | |
|-------------|--|--|---|---------------------------|--|---|--|
| INCHES | | | | D. MURUGIAH 26FEB2007 | | STE | |
| | | 0 PLC | ± | CHK A. BULZA 26FEB2007 | | NAME | |
| | | 1 PLC | ± | APVD B. JOHNSON 26FEB2007 | | TAP ASSEMBLY, GROUNDING CONNECTOR, COPPER, SHEAR-LOK, GROUNDING RODS 5/8, 3/4 CU CLAD, GALV STEEL | |
| | | 2 PLC | ± | PRODUCT SPEC | | SIZE | |
| | | 3 PLC | ± | APPLICATION SPEC | | CAGE CODE | |
| | | 4 PLC | ± | WEIGHT | | DRAWING NO | |
| | | ANGLES | ± | - | | A300779 C-80408 | |
| MATERIAL | | FINISH | | CUSTOMER DRAWING | | RESTRICTED TO | |
| SEE NOTE 1 | | NONE | | SCALE NTS | | SHEET 1 OF 1 | |
| | | | | | | REV F1 | |