



## Introducing MRI Series Power Line Filters

TE Connectivity has developed the MRI Series power line filters to protect the operation of Magnetic Resonance Imaging (MRI) equipment from conducted external emissions. The MRI Series filters can also help assure the proper operation of other equipment (e.g., computers displays, nurse call, dye injection equipment, patient communications) within the MRI environment by suppressing the emissions generated by the MRI device itself. With its reduced size and lower cost, the MRI2030R is optimized for newer installations which require less filtering, while the MRI2030 offers a broader range of suppression for older, more susceptible equipment.

### KEY FEATURES

- Designed specifically for MRI installations
- Meets MRI system manufacturers performance requirements
- UL Listed and CSA Certified
- Long lasting shielding of filter elements inside sealed filter compartment
- Easy installation with threaded conduit and flexible wire leads
- Easy access for field wiring through removable input cover
- Safer installations; internal discharge bleeder resistor reduces shock hazard

### AVAILABLE PART NUMBERS

- |            |           |
|------------|-----------|
| • MRI2030  | 1609199   |
| • MRI2030R | 1609199-1 |

### MORE INFORMATION

For a full overview of TE Connectivity's Corcom facility EMI filter products including the MRI Series filters, please download or order the Corcom Facility EMI Filter Products catalog, literature number 1654986, at [te.com](http://te.com).

### ELECTRICAL

#### Rated Voltage:

- 277/480 VAC 50/60 Hz

#### Rated Current:

- 2 x 30A

#### Voltage Drop:

- Less than 1% @ unity power factor

#### Overload:

- 140% of rated current for 15 minutes

#### Harmonic Distortion:

- Less than 2% @ full rated current

#### Dielectric Withstanding Voltage:

- Per MIL-PRF-15733 and UL1283

#### D.C. Insulation Resistance:

- Per MIL-STD-202, Method 302

#### Terminal Strength:

- Per MIL-STD-202, Method 211, Condition E

#### Temperature Rise:

- Per MIL-PRF-15733 and UL1283

#### R.F. Radiation:

- 100 dB minimum shielding effectiveness

#### Insertion Loss:

- MRI2030 - 100 dB from 100 kHz to 10 GHz
- MRI2030R - 100 dB from 5 MHz - 20 GHz per MIL-STD-220

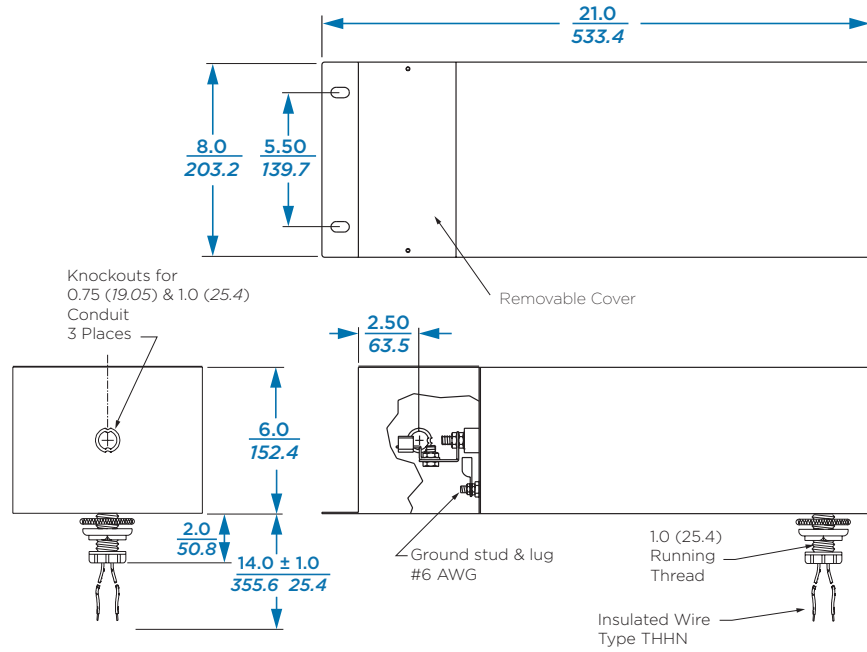
### STANDARDS AND SPECIFICATIONS

- UL Listed
- CSA Certified



CASE STYLES AND DIMENSIONS

MRI2030



MRI2030R

