

THIS DRAWING IS UNPUBLISHED.

RELEASED FOR PUBLICATION

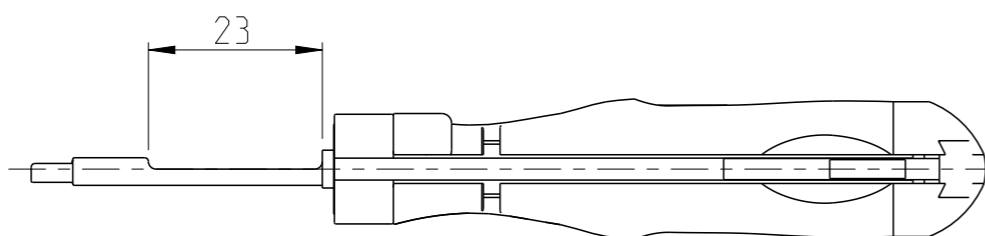
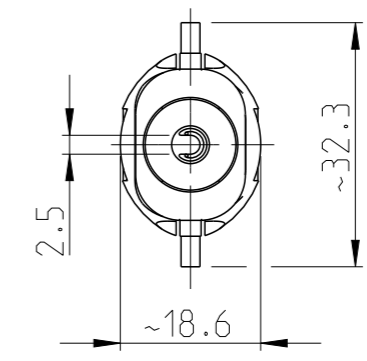
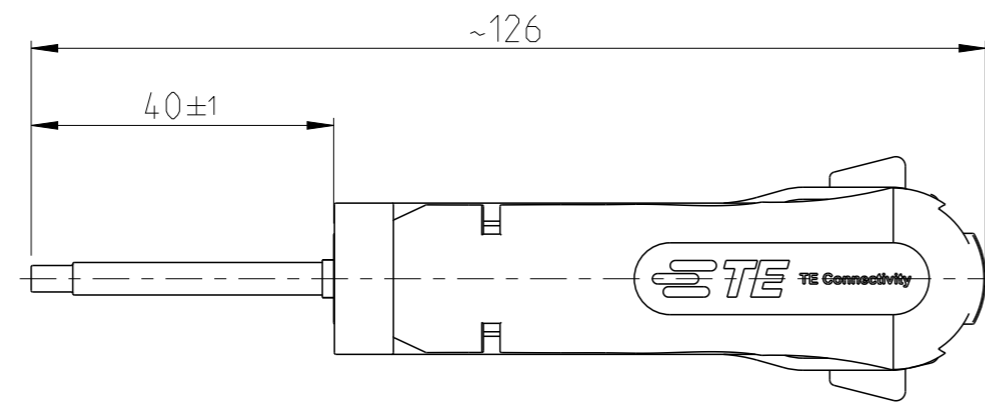
20

© COPYRIGHT 20 BY -

ALL RIGHTS RESERVED.

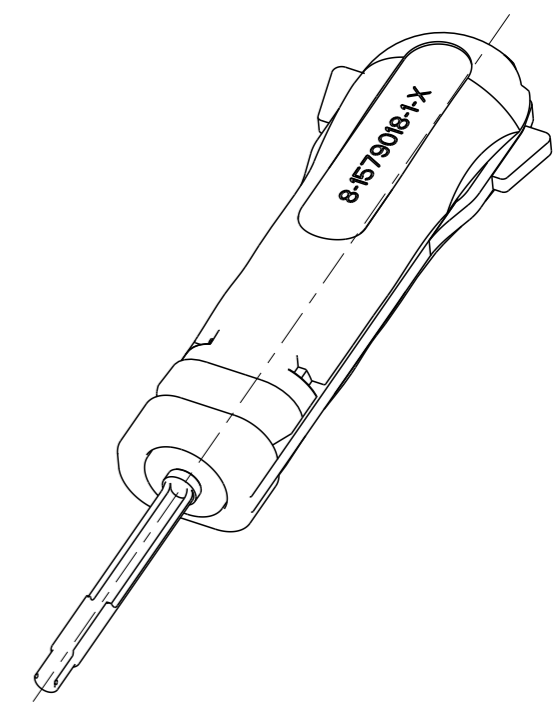
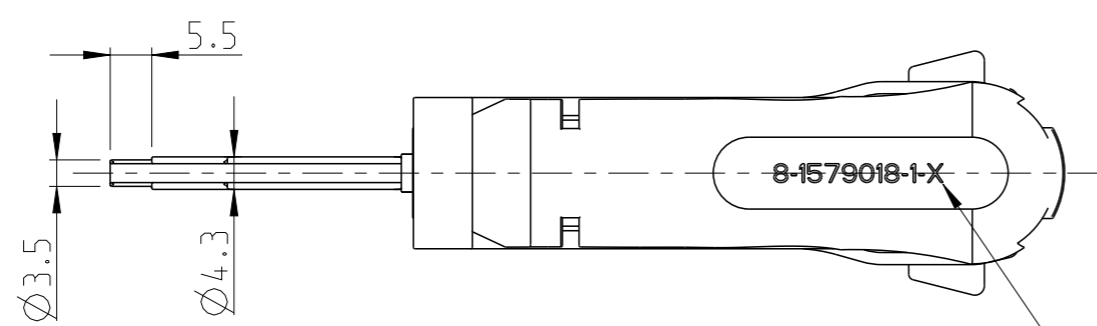
REVISIONS

P	LTR	DESCRIPTION	DATE	DWN	APVD
	A	Initial release	09SEP2013	RG	RG



Application range / Anwendungsbereich

- Housing: 1718324, 1418883
- Contact: 1703278, 1703279
- Seal: 2112323, 964972
- Wire size up: 1.5sqmm



Current revision / Aktuelle Revision

THIS DRAWING IS A CONTROLLED DOCUMENT.		DWN R. Germann 09SEP2013															
DIMENSIONS: mm		CHK R. Germann 09SEP2013															
TOLERANCES UNLESS OTHERWISE SPECIFIED:		APVD -	NAME Insertion tool Eindrueckwerkzeug														
<table border="1"> <tr><td>0 PLC</td><td>±</td></tr> <tr><td>1 PLC</td><td>±</td></tr> <tr><td>2 PLC</td><td>±</td></tr> <tr><td>3 PLC</td><td>±</td></tr> <tr><td>4 PLC</td><td>±</td></tr> <tr><td>ANGLES</td><td>±1°</td></tr> </table>		0 PLC	±	1 PLC	±	2 PLC	±	3 PLC	±	4 PLC	±	ANGLES	±1°	PRODUCT SPEC -	SIZE A3		
0 PLC	±																
1 PLC	±																
2 PLC	±																
3 PLC	±																
4 PLC	±																
ANGLES	±1°																
MATERIAL -		APPLICATION SPEC 114-18082	CAGE CODE -	DRAWING NO C-8-1579018-1	RESTRICTED TO -												
FINISH -		WEIGHT 19g	SCALE 1:1														
		Customer Drawing	SHEET 1 OF 1		REV A												