

4

3

2

1

D

D

C

C

B

B

A

A

800 SERIES

8 XX

POSITIONS

- 08
- 14
- 16
- 18
- 20
- 22
- 24 (.600 t)
- 28
- 32
- 36
- 40
- 42
- 48
- 64

24 (.300 t)

24 (.400 t)

AX

AG = INSULATOR W/OUT RAILS

AR = Insulator with Rails

XXX

X

ESX

ES CONTACT - 30 MICRO GOLD 4 BEAM STAMPED

ESL CONTACT - 10 MICRO GOLD 4 BEAM STAMPED

SM= SURFACE MOUNT

LSG STYLE & TAIL CONFIGURATION

10 = gold/gold

11 = gold/tin-lead

12 = tin-lead/tin-lead

1 OBSOLETE PARTS: OBSOLETE CIS STREAMLINING PER D.RENAUD/D.SINISI
 1437538-9,2-1437537-8,4-1437537-5,4-1437537-9,7-1437537-1
 8-1437537-4

| | | | | | | | | | | | |
|---------------|-----------|----|------------------------|--|---|-----------------------------------|---------------------|--------------------|---------------|---------------------------------------|----------------------|
| REV | O | O1 | THIRD ANGLE PROJECTION | UNLESS OTHERWISE SPECIFIED DIMENSIONS ARE IN INCHES DO NOT SCALE PRINT | | ORIGINAL DATE OF DRAWING: 8-31-87 | | TYCO ELECTRONICS | | | |
| | REVISIONS | | | OG3C-0413-02 | TOLERANCES (EXCEPT AS NOTED) ANGULAR = ±1/2° DECIMAL .XX = ±.01 DECIMAL .XXX = ±.002 DECIMAL .XXXX = ±.0005 | FILE NAME: BSMSERS1 | DIRECTORY: PNCODEAS | DRAWN: J.P.PACHECO | DATE: 8-31-87 | TITLE: ASSEMBLY, SOCKET SURFACE MOUNT | |
| | | | | KW / 25FEB03 | | MATERIAL: NONE | | CHECKED: | DATE: | DWG. NO. 8-1437533-1 | |
| | | | | ECO-09-026495 | | FINISH: NONE | | APPROVED: A.J.C. | DATE: 6-2-92 | REV. 01 | PRODUCT CODE: 25/157 |
| HMR / 08FEB10 | | | CODE IDENT. NO. 91506 | DWG. SIZE B | SCALE: NONE | | SHEET 1 OF 3 | | | | |

4

3

2

1

(AG) INSULATORS (NO RAILS)

SEE SHEET #6

| POS. | INSULATOR ITEM 1 | QTY. | FIGURE | DIM. "A" | DIM. "B" | DIM. "C" | TUBE # | TUBE QTY. | QTY OF | |
|------|---------------------|------|--------|-----------|-----------|-----------|--------|--------------|---------------|---------------------------------|
| | | | | | | | | | CONTACT ASS'Y | .125 P.C. TAIL PAGE 6 ITEM 2 |
| 8 | | 1 | 1 | .400 MAX | .400 MAX | .295/.305 | | | | |
| 14 | | 1 | 2 | .700 MAX | .400 MAX | .295/.305 | | | | |
| 16 | | 1 | 2 | .800 MAX | .400 MAX | .295/.305 | | | | |
| 18 | | 1 | 2 | .900 MAX | .400 MAX | .295/.305 | | | | |
| 20 | | 1 | 2 | 1.000 MAX | .400 MAX | .295/.305 | | | | |
| 22 | | 1 | 2 | 1.100 MAX | .500 MAX | .395/.405 | | | | |
| 24 | | 1 | 2 | 1.200 MAX | .700 MAX | .595/.605 | | | | |
| 24 | | 1 | 2 | 1.200 MAX | .500 MAX | .395/.405 | | | | |
| 24 | | 1 | 2 | 1.200 MAX | .400 MAX | .295/.305 | | | | |
| 28 | | 1 | 3 | 1.400 MAX | .700 MAX | .595/.605 | | | | |
| 32 | | 1 | 3 | 1.600 MAX | .700 MAX | .595/.605 | | | | |
| 36 | | 1 | 3 | 1.800 MAX | .700 MAX | .595/.605 | | | | |
| 40 | | 1 | 3 | 2.000 MAX | .700 MAX | .595/.605 | | | | |
| 42 | | 1 | 3 | 2.100 MAX | .700 MAX | .595/.605 | | | | |
| 48 | | 1 | 3 | 2.400 MAX | .700 MAX | .595/.605 | | | | |
| 64 | | 1 | 3 | 3.200 MAX | 1.000 MAX | .895/.905 | | | | |
| | | | | | | | | | | |
| | | | | | | | | | | |

D

D

C

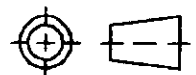
C

B

B

A

A

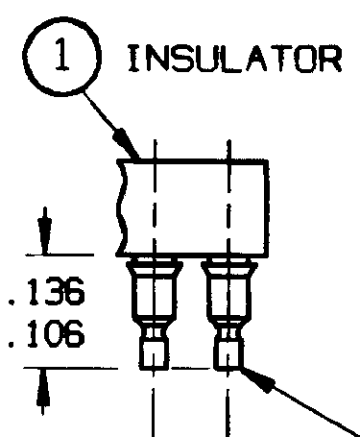
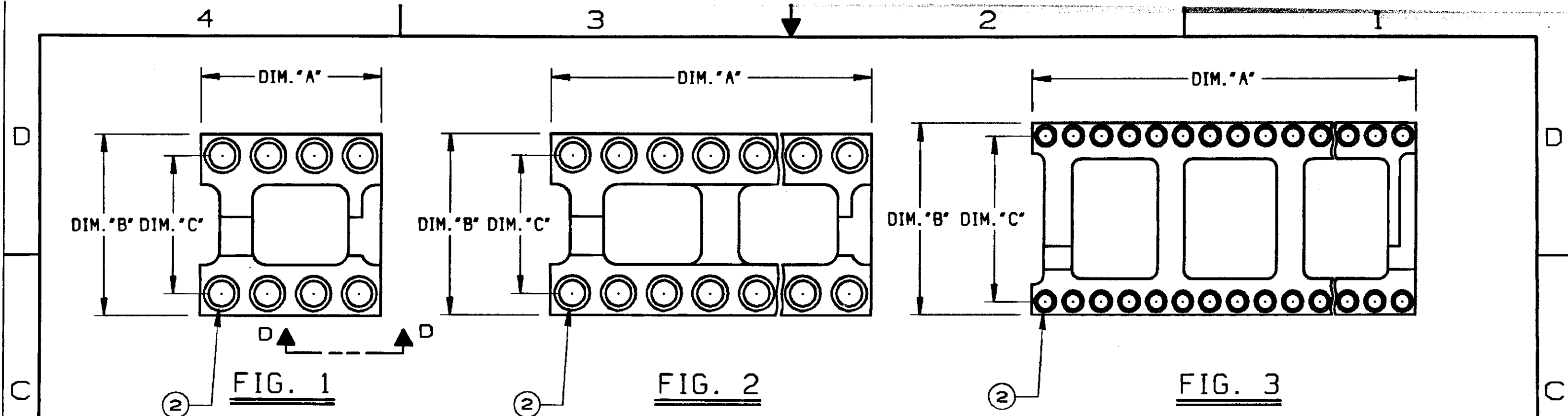
| | | | | | | | | | | |
|-----|--------------|---|---|--------------------------|-----------------------------------|------------------------|-------------------------|------------------|---|--|
| REV | SEE SHEET #1 |  THIRD ANGLE PROJECTION | UNLESS OTHERWISE SPECIFIED DIMENSIONS ARE IN INCHES DO NOT SCALE PRINT | | ORIGINAL DATE OF DRAWING: 8-31-87 | | TYCO ELECTRONICS | | | |
| | | | TOLERANCES (EXCEPT AS NOTED) ANGULAR = ±1/2° DECIMAL .XX = ±.01 DECIMAL .XXX = ±.002 DECIMAL .XXXX = ±.0005 | | FILE NAME: 8SMERS5 | DIRECTORY: PNCODEAS | DRAWN: J.P. PACHECO | DATE: 8-31-87 | TITLE: ASSEMBLY, SOCKET SURFACE MOUNT | |
| | | | | | MATERIAL: NONE | | CHECKED: | DATE: | DWG. NO. 8-1437533-1 | |
| | | | | | FINISH: NONE | | APPROVED: A.J.C. | DATE: 6-2-92 | REV. 01 | |
| | | | | CODE IDENT. NO. 91506 | DWG. SIZE B | PRODUCT CODE: 25/157 | | | | |
| | | | | NEXT ASSY: | | SCALE: NONE | | SHEET 2 OF 3 | | |

4

3

2

CUSTOMER 1



ITEMS:

MATERIAL & FINISH:

- 1. INSULATOR - THERMOPLASTIC POLYESTER (BLACK) P E T
RATED 94V-0. (SEE FIGURE COLUMN ABOVE).

"X" SURFACES =
QTY. OF CONTACT ASS'Y.
VIEW D-D

| | | | | | | | | | | |
|------------------------|---------------------|-------------------------------|--|-----------------------|--------------------------------------|-----------------------|-------------------------|---|--|------|
| REV | SEE SHEET #1 | THIRD ANGLE PROJECTION | UNLESS OTHERWISE SPECIFIED DIMENSIONS ARE IN INCHES DO NOT SCALE PRINT | | ORIGINAL DATE OF DRAWING: 8-31-87 | | TYCO ELECTRONICS | | | |
| | | | TOLERANCES (EXCEPT AS NOTED) | FILE NAME: 8SMSRS6 | DIRECTORY: PNCODEAS | DRAWN: J.P.PACHECO | DATE: 8-31-87 | TITLE: ASSEMBLY, SOCKET SURFACE MOUNT | | |
| | | | ANGULAR = ±1/2° | MATERIAL: NONE | | CHECKED: | DATE: | DMG. NO. 8-1437533-1 | | REV. |
| | | | DECIMAL .XX = ±.01 | | | APPROVED: A.J.C. | DATE: 6-2-92 | | | 01 |
| DECIMAL .XXX = ±.002 | FINISH: NONE | | CODE IDENT. NO. 91506 | DMG. SIZE B | PRODUCT CODE: 25/157 | | | | | |
| DECIMAL .XXXX = ±.0005 | | | NEXT ASSY: | SCALE: NONE | | SHEET 3 OF 3 | | | | |