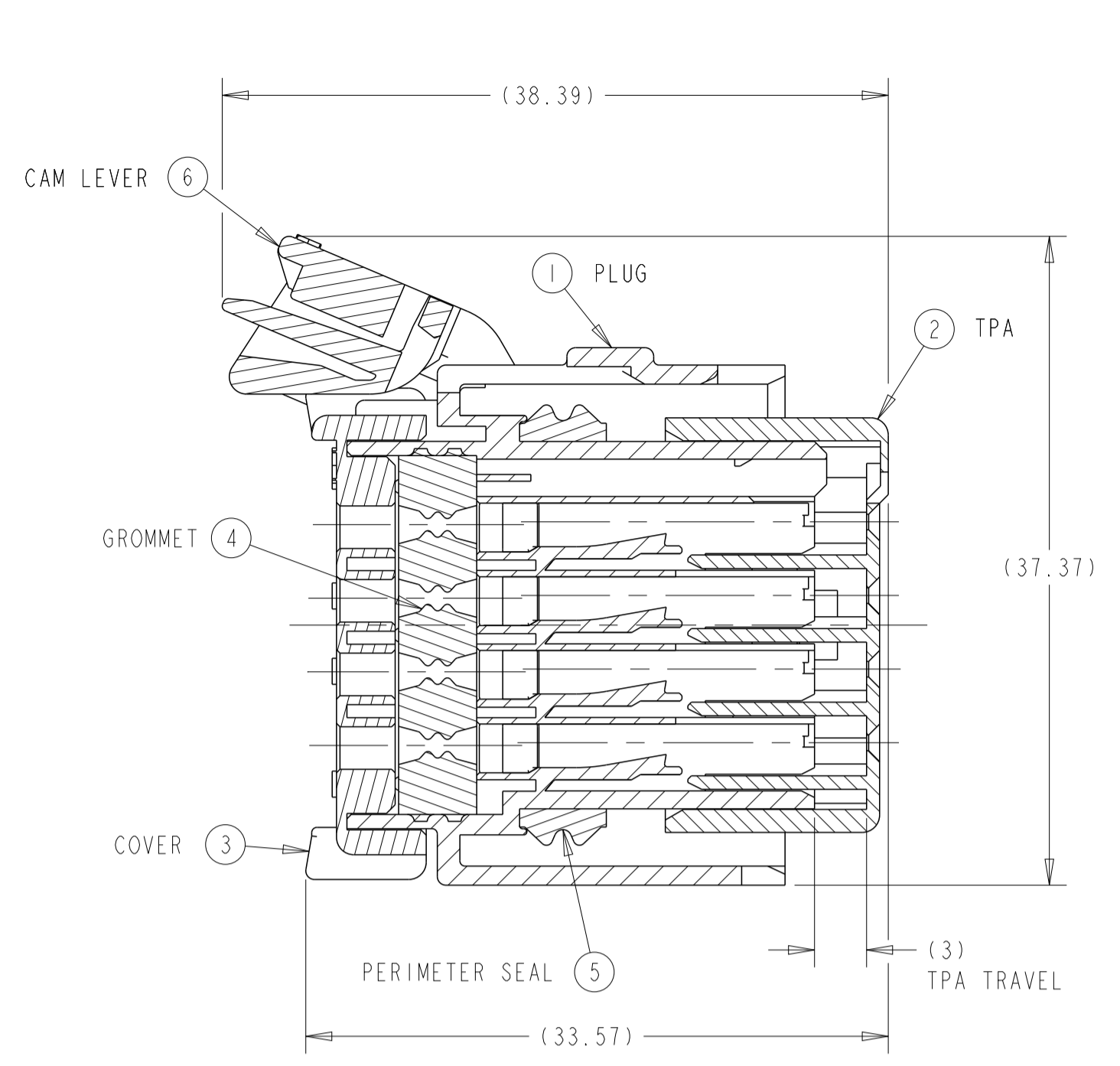
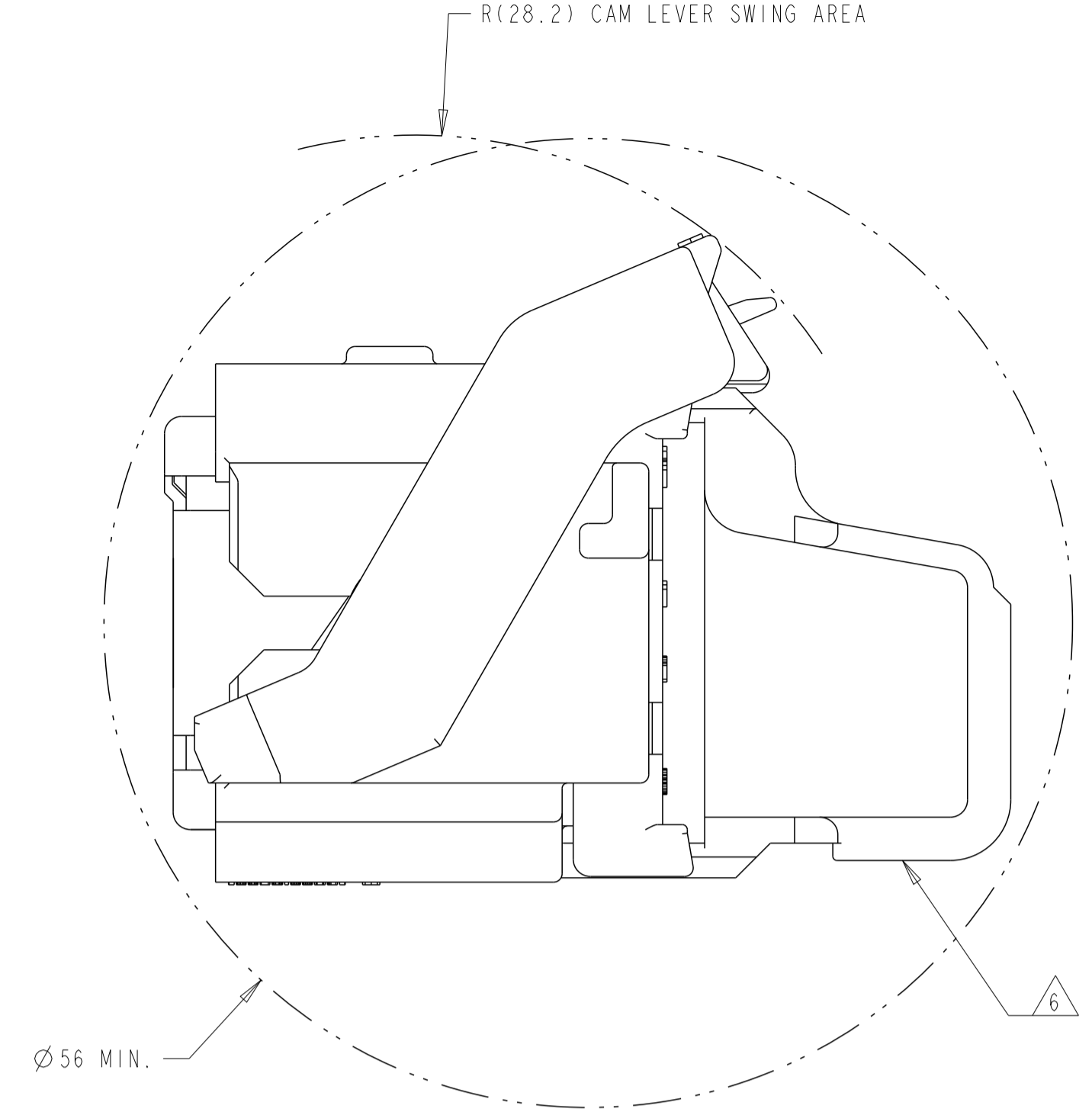
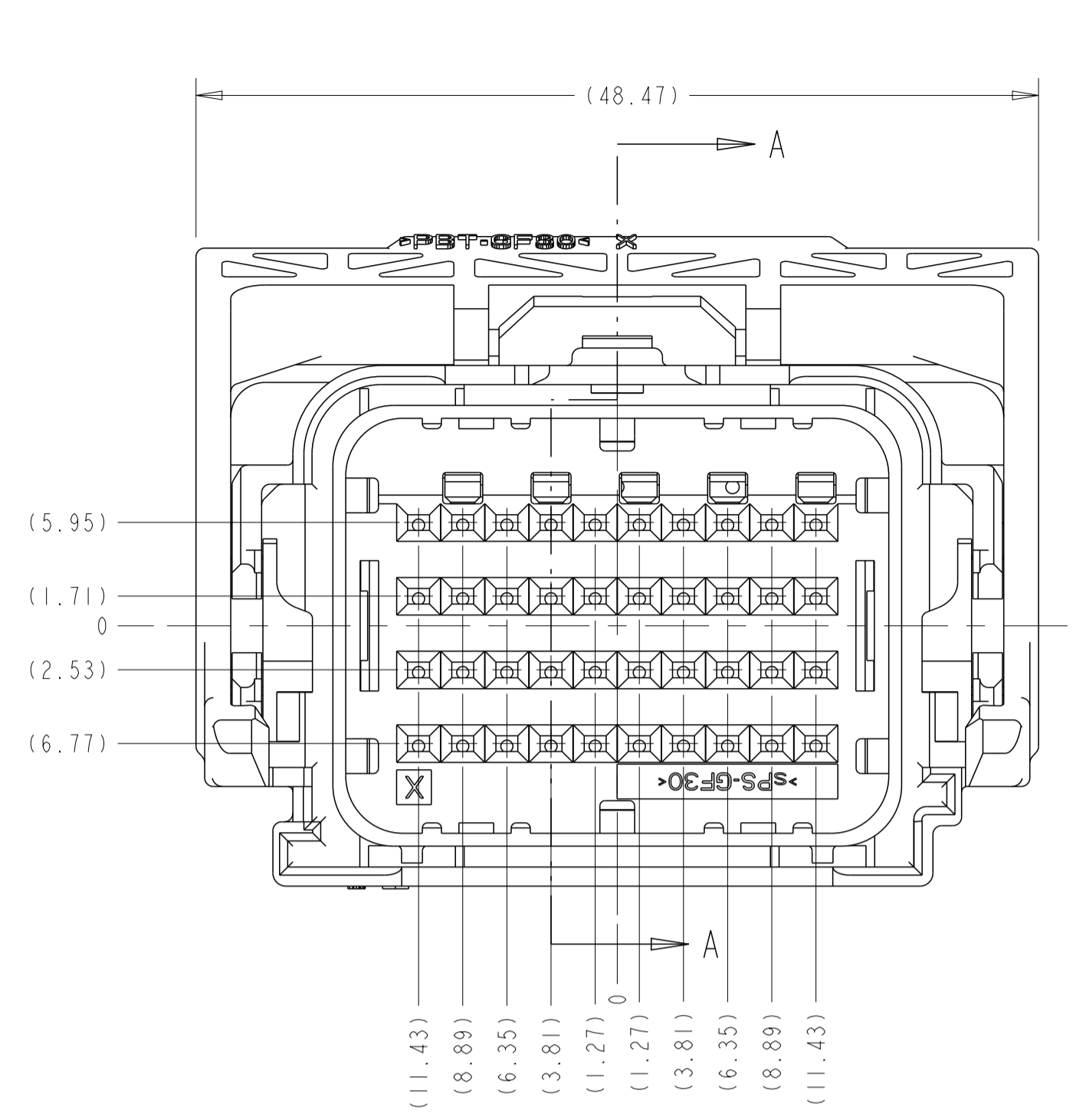


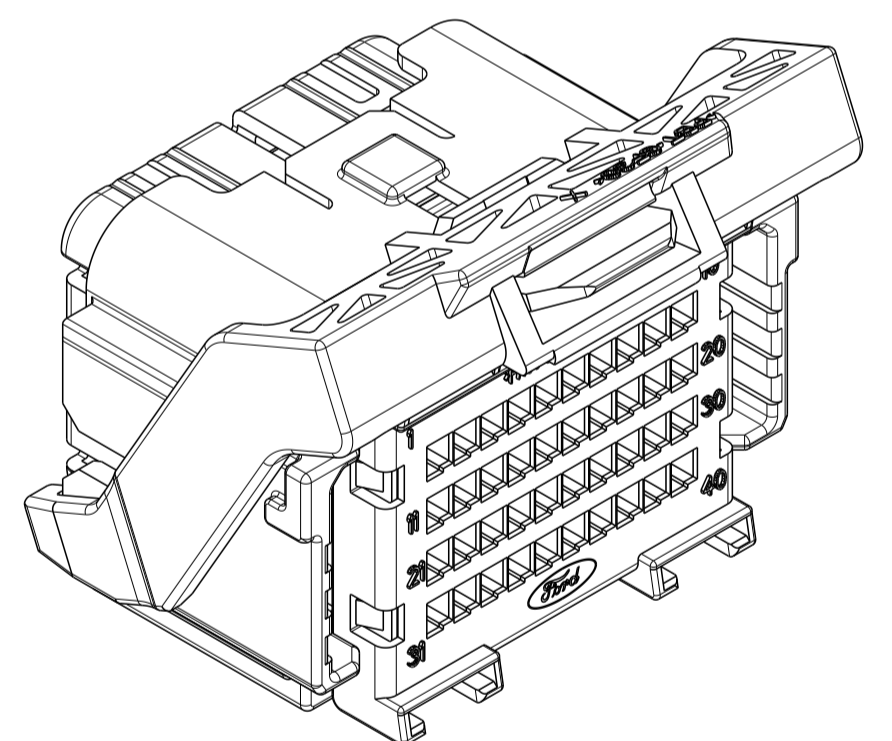
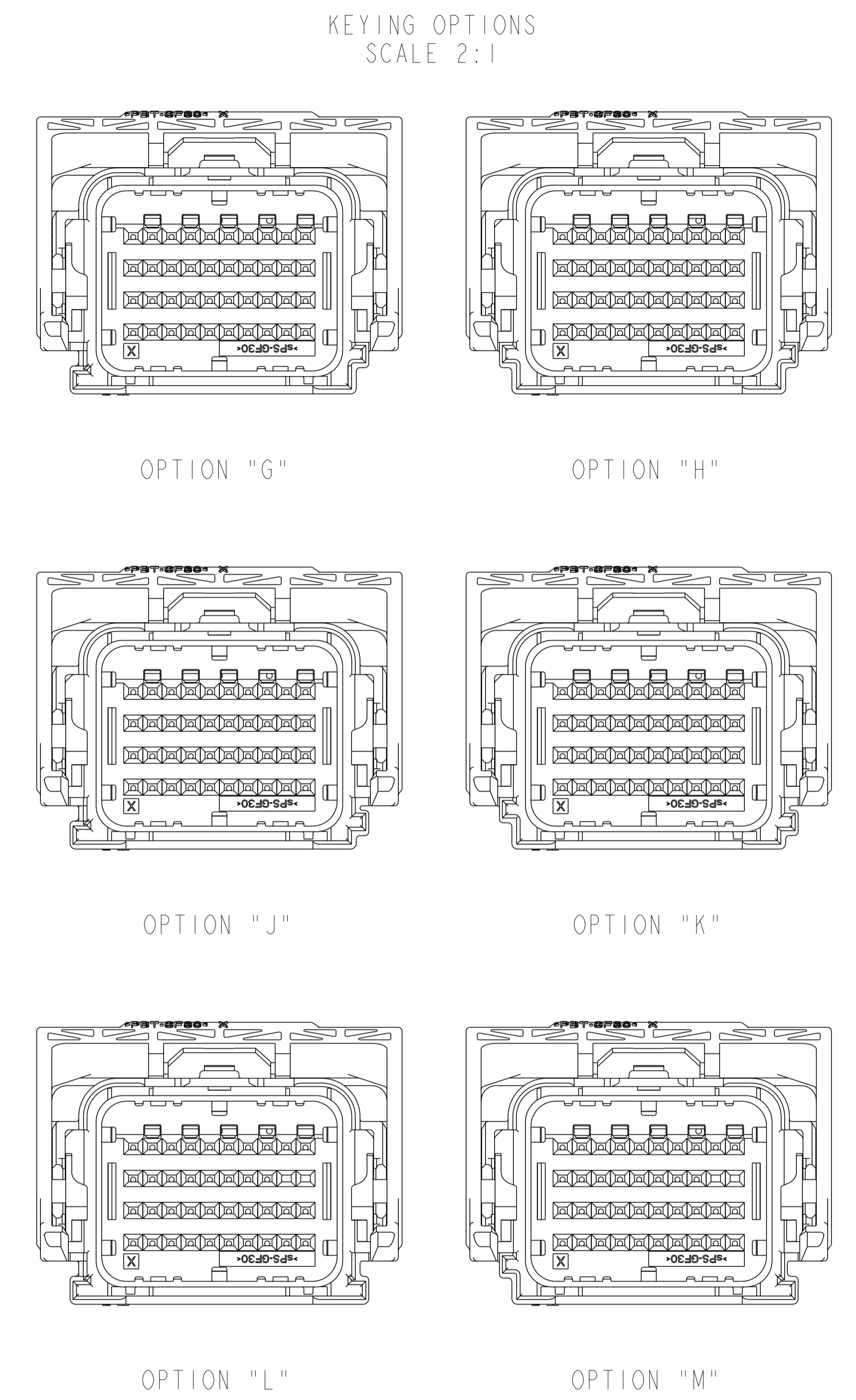
| REVISIONS | | | | | |
|-----------|-----|---------------------------|-----------|-----|------|
| P | LTN | DESCRIPTION | DATE | OWN | APVD |
| CJ | | REVISED PER ECO-18-013531 | 30AUG2018 | JMS | WW |
| CK | | REV PER ECO-19-007173 | 17MAY2019 | RGV | WW |
| CK1 | | REVISED PER ECO-20-012739 | 05OCT2020 | AP | WW |
| CK2 | | REV PER ECN-22-168671 | 18AUG2022 | SMR | WW |



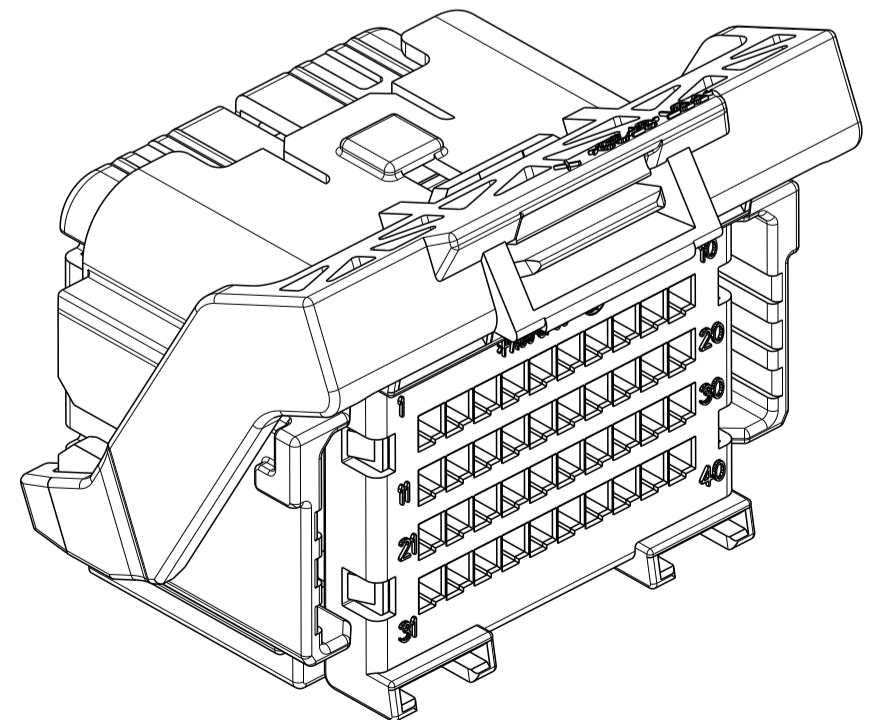
SECTION A-A
 SHOWN WITH CAM LEVER
 AND TPA IN THEIR
 PRE-LOADED POSITIONS
 (DELIVERY CONDITION)



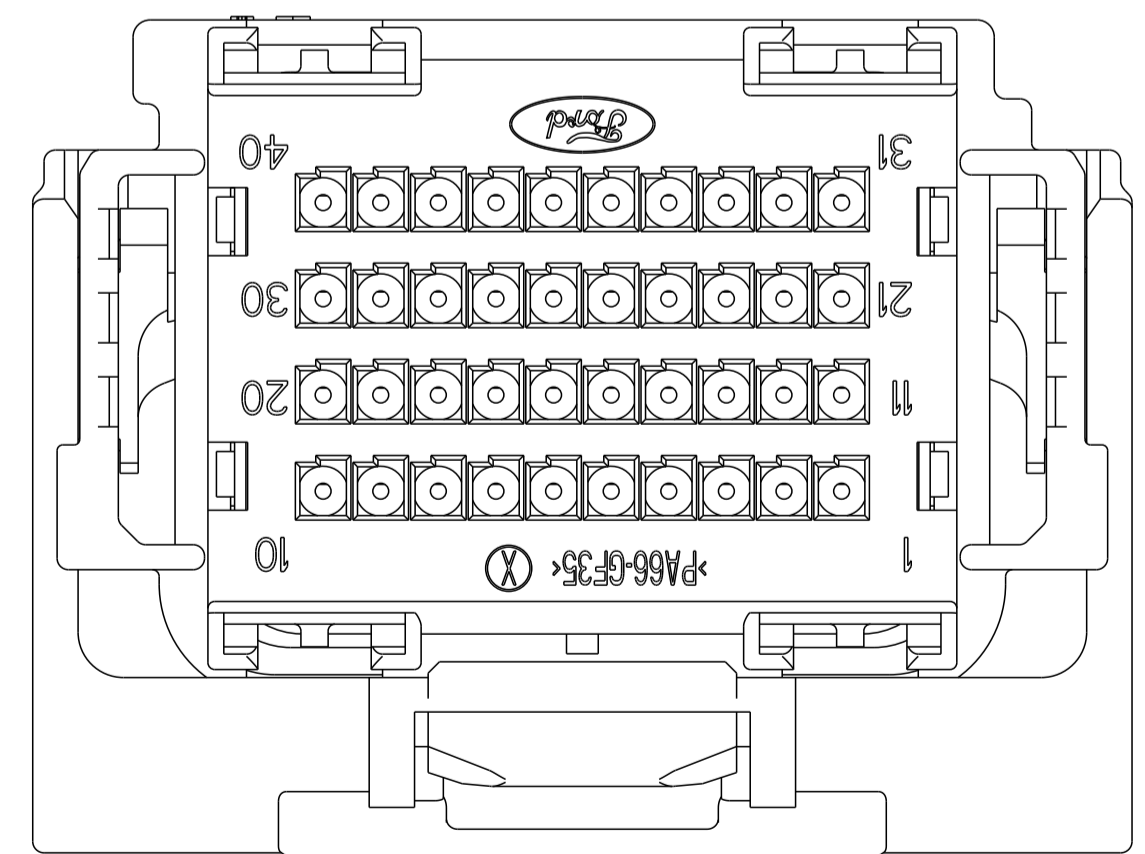
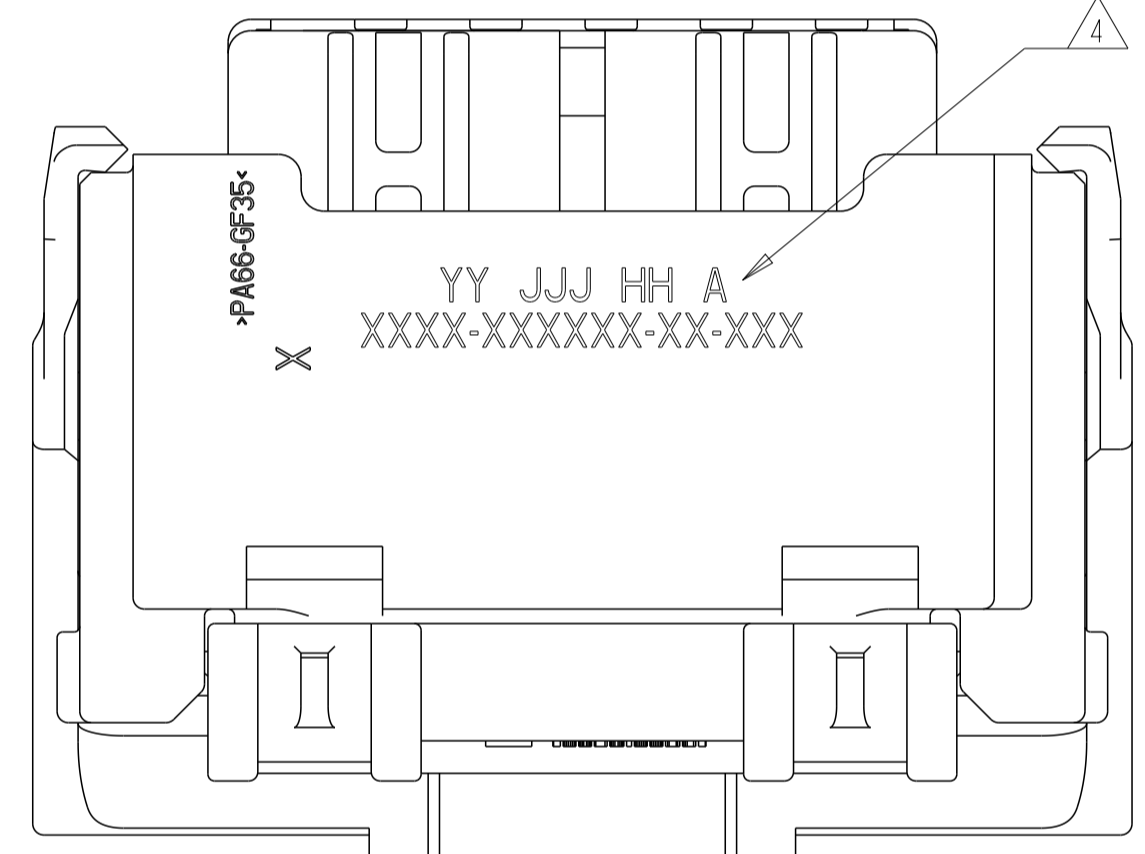
MINIMUM FEED THROUGH CONDITION
 WITH 1mm CLEARANCE ALL AROUND
 SHOWN WITH OPTION WIRESHIELD
 TPA IS IN IT'S LOADED POSITION
 CAM LEVER IS IN IT'S PRE-LOADED POSITION



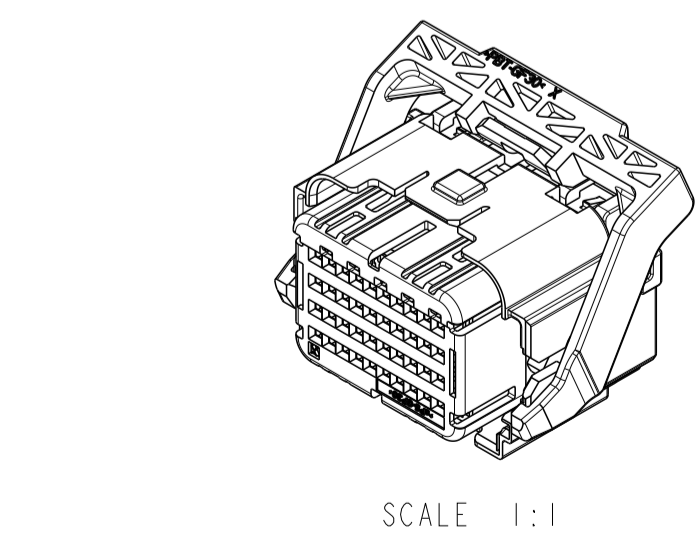
SCALE 2:1



THIS VIEW SHOWS THE
 OPTIONAL CAM LEVER



- APPLICABLE TERMINAL PART NUMBERS (SOLD SEPARATELY):
 FOR TIN APPLICATIONS: 1393367 AND 1393366,
 FOR GOLD APPLICATIONS: 1393365 AND 1393364,
 FOR TERMINATION AND REELING OPTIONS
 SEE DRAWINGS 1393367, 1393366, 1393365, AND 1393364.
- COMPATIBLE WIRE SIZES FOR MAT SEAL DESIGN 1.19 TO 2.06 O.D.
 (22-18 AWG, 0.35-0.75 mm²)
- TPA AND CAM LEVER ARE SHIPPED IN THEIR PRE-LOADED POSITION.
 ALL ASSEMBLIES ARE TO BE TRAY PACKAGED.
- CUSTOMER PART NUMBER AND TRACEABILITY CODE (YY = TWO DIGIT YEAR,
 JJJ = JULIAN DAY, HH = TWO DIGIT MILITARY HOUR, A = ASSEMBLY PROCESS
 USED) ARE PRINTED IN THIS LOCATION.
- PART ASSEMBLY WEIGHT WITHOUT TERMINALS AND WITH STANDARD PIN-OUT
 CONFIGURATION IS 24.71 GRAMS.
- OPTIONAL WIRESHIELD P/N 8-1419157-8 (SOLD SEPARATELY). PLEASE CONTACT
 YOUR TE SALES REPRESENTATIVE FOR AVAILABILITY AND PRICING.
- OBSOLETE PART.



SCALE 1:1

KEYING OPTION "G" SHOWN
 SEE SHEET 2 FOR BILL OF
 MATERIAL AND PIN-OUT CHARTS

| | | | |
|----------------------------------------|------------|----------------------------|-----------------------------------------------------------------------------|
| THIS DRAWING IS A CONTROLLED DOCUMENT. | | OWN: M. FORLSKA 19APR2002 | NAME: 40 WAY ARM, PLUG ASSEMBLY WITHOUT SHORTING BARS, CUSTOMER SPEC. |
| DIMENSIONS: mm | | CHK: M. FORLSKA 19APR2002 | |
| TOLERANCES UNLESS OTHERWISE SPECIFIED: | | APVD: A. VALASEK 19APR2002 | SIZE: CAGE CODE DRAWING NO. RESTRICTED TO |
| 0 PLC ± | 1 PLC ±0.3 | PRODUCT SPEC | SCALE: 3:1 SHEET 1 OF 5 |
| 2 PLC ±0.10 | 3 PLC ± | APPLICATION SPEC | REVISION: CK2 |
| 4 PLC ± | ANGLES ± | WEIGHT: SEE NOTE 5 | |
| MATERIAL: SEE CHART ON SHEET 2 | FINISH: - | CUSTOMER DRAWING | |

| REVISIONS | | | | |
|-----------|-----|-------------|------|----------|
| P | LTN | DESCRIPTION | DATE | OWN APVD |
| - | - | SEE SHEET 1 | - | - |

| ASSEMBLY PART NUMBERS | | | | | | | | | | ITEM | DESCRIPTION | MATERIAL | FINISH/COLOR |
|-----------------------|--|--|--|--|--|--|--|--|--|------|------------------------------------------------------------------------|-------------|----------------|
| 5-1924513-8 | | | | | | | | | | 6 | CAM LEVER | PBT 30% GF | GRAY |
| 5-1924513-7 | | | | | | | | | | 6 | CAM LEVER WITH MODIFIED TAB | PA66 35% GF | GRAY |
| 5-1924513-6 | | | | | | | | | | 6 | CAM LEVER WITH MODIFIED TAB | PBT 30% GF | GRAY |
| 5-1924513-5 | | | | | | | | | | 5 | PERIMETER SEAL | SILICONE | GREEN |
| 5-1924513-4 | | | | | | | | | | 4 | GROMMET | SILICONE | BROWN |
| 5-1924513-3 | | | | | | | | | | 3 | COVER | PA66 35% GF | BLACK |
| 5-1924513-2 | | | | | | | | | | 2 | TPA FOR NON-SHORTING BAR APPLICATIONS | sPS 30% GF | NATURAL |
| 5-1924513-1 | | | | | | | | | | 2 | TPA FOR NON-SHORTING BAR APPLICATIONS | sPS 30% GF | RED OR NATURAL |
| 5-1924513-0 | | | | | | | | | | 1 | PLUG WITH KEYING OPTION "K" AND 5 SHORTING BAR POSITIONS CONFIGURATION | PA66 35% GF | BLACK |
| 4-1924513-9 | | | | | | | | | | 1 | PLUG WITH KEYING OPTION "L" AND 5 SHORTING BAR POSITIONS CONFIGURATION | PA66 35% GF | BLACK |
| 4-1924513-8 | | | | | | | | | | 1 | PLUG WITH KEYING OPTION "J" AND 5 SHORTING BAR POSITIONS CONFIGURATION | PA66 35% GF | BLACK |
| 4-1924513-7 | | | | | | | | | | 1 | PLUG WITH KEYING OPTION "H" AND 5 SHORTING BAR POSITIONS CONFIGURATION | PA66 35% GF | BLACK |
| 4-1924513-6 | | | | | | | | | | 1 | PLUG WITH KEYING OPTION "G" AND 5 SHORTING BAR POSITIONS CONFIGURATION | PA66 35% GF | BLACK |
| 4-1924513-5 | | | | | | | | | | 1 | PLUG WITH KEYING OPTION "K" AND 5 SHORTING BAR POSITIONS CONFIGURATION | PA66 35% GF | BLACK |
| 4-1924513-4 | | | | | | | | | | 1 | PLUG WITH KEYING OPTION "L" AND 5 SHORTING BAR POSITIONS CONFIGURATION | PA66 35% GF | BLACK |
| 4-1924513-3 | | | | | | | | | | 1 | PLUG WITH KEYING OPTION "J" AND 5 SHORTING BAR POSITIONS CONFIGURATION | PA66 35% GF | BLACK |
| 4-1924513-2 | | | | | | | | | | 1 | PLUG WITH KEYING OPTION "H" AND 5 SHORTING BAR POSITIONS CONFIGURATION | PA66 35% GF | BLACK |
| 4-1924513-1 | | | | | | | | | | 1 | PLUG WITH KEYING OPTION "G" AND 5 SHORTING BAR POSITIONS CONFIGURATION | PA66 35% GF | BLACK |
| 4-1924513-0 | | | | | | | | | | 1 | PLUG WITH KEYING OPTION "G" AND 5 SHORTING BAR POSITIONS CONFIGURATION | PA66 35% GF | BLACK |
| 3-1924513-9 | | | | | | | | | | | | | |
| 3-1924513-8 | | | | | | | | | | | | | |
| 3-1924513-7 | | | | | | | | | | | | | |
| 3-1924513-6 | | | | | | | | | | | | | |
| 3-1924513-5 | | | | | | | | | | | | | |
| 3-1924513-4 | | | | | | | | | | | | | |
| 3-1924513-3 | | | | | | | | | | | | | |
| 3-1924513-2 | | | | | | | | | | | | | |
| 3-1924513-1 | | | | | | | | | | | | | |
| 3-1924513-0 | | | | | | | | | | | | | |
| 2-1924513-9 | | | | | | | | | | | | | |
| 2-1924513-8 | | | | | | | | | | | | | |
| 2-1924513-7 | | | | | | | | | | | | | |
| 2-1924513-6 | | | | | | | | | | | | | |
| 2-1924513-5 | | | | | | | | | | | | | |
| 2-1924513-4 | | | | | | | | | | | | | |
| 2-1924513-3 | | | | | | | | | | | | | |
| 2-1924513-2 | | | | | | | | | | | | | |
| 2-1924513-1 | | | | | | | | | | | | | |
| 2-1924513-0 | | | | | | | | | | | | | |
| 1-1924513-9 | | | | | | | | | | | | | |
| 1-1924513-8 | | | | | | | | | | | | | |
| 1-1924513-7 | | | | | | | | | | | | | |
| 1-1924513-6 | | | | | | | | | | | | | |
| 1-1924513-5 | | | | | | | | | | | | | |
| 1-1924513-4 | | | | | | | | | | | | | |
| 1-1924513-3 | | | | | | | | | | | | | |
| 1-1924513-2 | | | | | | | | | | | | | |
| 1-1924513-1 | | | | | | | | | | | | | |
| 1-1924513-0 | | | | | | | | | | | | | |
| 1924513-9 | | | | | | | | | | | | | |
| 1924513-8 | | | | | | | | | | | | | |
| 1924513-7 | | | | | | | | | | | | | |
| 1924513-6 | | | | | | | | | | | | | |
| 1924513-5 | | | | | | | | | | | | | |
| 1924513-4 | | | | | | | | | | | | | |
| 1924513-3 | | | | | | | | | | | | | |
| 1924513-2 | | | | | | | | | | | | | |
| 1924513-1 | | | | | | | | | | | | | |
| 1924513-0 | | | | | | | | | | | | | |
| 1438617-1 | | | | | | | | | | | | | |

| ASSEMBLY PART NUMBERS | | | | | | | | | | ITEM | DESCRIPTION | MATERIAL | FINISH/COLOR |
|-----------------------|--|--|--|--|--|--|--|--|--|------|------------------------------------------------------------------------|-------------|----------------|
| | | | | | | | | | | 6 | CAM LEVER | PBT 30% GF | GRAY |
| | | | | | | | | | | 6 | CAM LEVER WITH MODIFIED TAB | PA66 35% GF | GRAY |
| | | | | | | | | | | 6 | CAM LEVER WITH MODIFIED TAB | PBT 30% GF | GRAY |
| | | | | | | | | | | 5 | PERIMETER SEAL | SILICONE | GREEN |
| | | | | | | | | | | 4 | GROMMET | SILICONE | BROWN |
| | | | | | | | | | | 3 | COVER | PA66 35% GF | BLACK |
| | | | | | | | | | | 2 | TPA FOR NON-SHORTING BAR APPLICATIONS | sPS 30% GF | NATURAL |
| | | | | | | | | | | 2 | TPA FOR NON-SHORTING BAR APPLICATIONS | sPS 30% GF | RED OR NATURAL |
| | | | | | | | | | | 1 | PLUG WITH KEYING OPTION "K" AND 5 SHORTING BAR POSITIONS CONFIGURATION | PA66 35% GF | BLACK |
| | | | | | | | | | | 1 | PLUG WITH KEYING OPTION "L" AND 5 SHORTING BAR POSITIONS CONFIGURATION | PA66 35% GF | BLACK |
| | | | | | | | | | | 1 | PLUG WITH KEYING OPTION "J" AND 5 SHORTING BAR POSITIONS CONFIGURATION | PA66 35% GF | BLACK |
| | | | | | | | | | | 1 | PLUG WITH KEYING OPTION "H" AND 5 SHORTING BAR POSITIONS CONFIGURATION | PA66 35% GF | BLACK |
| | | | | | | | | | | 1 | PLUG WITH KEYING OPTION "G" AND 5 SHORTING BAR POSITIONS CONFIGURATION | PA66 35% GF | BLACK |
| | | | | | | | | | | 1 | PLUG WITH KEYING OPTION "G" AND 5 SHORTING BAR POSITIONS CONFIGURATION | PA66 35% GF | BLACK |

| ASSEMBLY PART NUMBERS | | | | | | | | | | ITEM | DESCRIPTION | MATERIAL | FINISH/COLOR |
|-----------------------|--|--|--|--|--|--|--|--|--|------|------------------------------------------------------------------------|-------------|----------------|
| 4-1438099-0 | | | | | | | | | | 6 | CAM LEVER | PBT 30% GF | GRAY |
| 3-1438099-9 | | | | | | | | | | 6 | CAM LEVER WITH MODIFIED TAB | PA66 35% GF | GRAY |
| 3-1438099-8 | | | | | | | | | | 6 | CAM LEVER WITH MODIFIED TAB | PBT 30% GF | GRAY |
| 3-1438099-7 | | | | | | | | | | 5 | PERIMETER SEAL | SILICONE | GREEN |
| 3-1438099-6 | | | | | | | | | | 4 | GROMMET | SILICONE | BROWN |
| 3-1438099-5 | | | | | | | | | | 3 | COVER | PA66 35% GF | BLACK |
| 3-1438099-4 | | | | | | | | | | 2 | TPA FOR NON-SHORTING BAR APPLICATIONS | sPS 30% GF | NATURAL |
| 3-1438099-3 | | | | | | | | | | 2 | TPA FOR NON-SHORTING BAR APPLICATIONS | sPS 30% GF | RED OR NATURAL |
| 3-1438099-2 | | | | | | | | | | 1 | PLUG WITH KEYING OPTION "K" AND 5 SHORTING BAR POSITIONS CONFIGURATION | PA66 35% GF | BLACK |
| 3-1438099-1 | | | | | | | | | | 1 | PLUG WITH KEYING OPTION "L" AND 5 SHORTING BAR POSITIONS CONFIGURATION | PA66 35% GF | BLACK |
| 3-1438099-0 | | | | | | | | | | 1 | PLUG WITH KEYING OPTION "J" AND 5 SHORTING BAR POSITIONS CONFIGURATION | PA66 35% GF | BLACK |
| 2-1438099-9 | | | | | | | | | | 1 | PLUG WITH KEYING OPTION "H" AND 5 SHORTING BAR POSITIONS CONFIGURATION | PA66 35% GF | BLACK |
| 2-1438099-8 | | | | | | | | | | 1 | PLUG WITH KEYING OPTION "G" AND 5 SHORTING BAR POSITIONS CONFIGURATION | PA66 35% GF | BLACK |
| 2-1438099-7 | | | | | | | | | | 1 | PLUG WITH KEYING OPTION "G" AND 5 SHORTING BAR POSITIONS CONFIGURATION | PA66 35% GF | BLACK |
| 2-1438099-6 | | | | | | | | | | 1 | PLUG WITH KEYING OPTION "G" AND 5 SHORTING BAR POSITIONS CONFIGURATION | PA66 35% GF | BLACK |
| 2-1438099-5 | | | | | | | | | | 1 | PLUG WITH KEYING OPTION "G" AND 5 SHORTING BAR POSITIONS CONFIGURATION | PA66 35% GF | BLACK |
| 2-1438099-4 | | | | | | | | | | 1 | PLUG WITH KEYING OPTION "G" AND 5 SHORTING BAR POSITIONS CONFIGURATION | PA66 35% GF | BLACK |
| 2-1438099-3 | | | | | | | | | | 1 | PLUG WITH KEYING OPTION "G" AND 5 SHORTING BAR POSITIONS CONFIGURATION | PA66 35% GF | BLACK |
| 2-1438099-2 | | | | | | | | | | 1 | PLUG WITH KEYING OPTION "G" AND 5 SHORTING BAR POSITIONS CONFIGURATION | PA66 35% GF | BLACK |
| 2-1438099-1 | | | | | | | | | | 1 | PLUG WITH KEYING OPTION "G" AND 5 SHORTING BAR POSITIONS CONFIGURATION | PA66 35% GF | BLACK |
| 2-1438099-0 | | | | | | | | | | 1 | PLUG WITH KEYING OPTION "G" AND 5 SHORTING BAR POSITIONS CONFIGURATION | PA66 35% GF | BLACK |
| 1438099-9 | | | | | | | | | | | | | |
| 1438099-8 | | | | | | | | | | | | | |
| 1438099-7 | | | | | | | | | | | | | |
| 1438099-6 | | | | | | | | | | | | | |
| 1438099-5 | | | | | | | | | | | | | |
| 1438099-4 | | | | | | | | | | | | | |
| 1438099-3 | | | | | | | | | | | | | |
| 1438099-2 | | | | | | | | | | | | | |
| 1438099-1 | | | | | | | | | | | | | |
| 1438099-0 | | | | | | | | | | | | | |
| 1438098-6 | | | | | | | | | | | | | |
| 1438098-5 | | | | | | | | | | | | | |
| 1438098-4 | | | | | | | | | | | | | |
| 1438098-3 | | | | | | | | | | | | | |
| 1438098-2 | | | | | | | | | | | | | |
| 1438098-1 | | | | | | | | | | | | | |
| 1438098-0 | | | | | | | | | | | | | |
| 1438098-9 | | | | | | | | | | | | | |
| 1438098-8 | | | | | | | | | | | | | |
| 1438098-7 | | | | | | | | | | | | | |
| 1438098-6 | | | | | | | | | | | | | |
| 1438098-5 | | | | | | | | | | | | | |
| 1438098-4 | | | | | | | | | | | | | |
| 1438098-3 | | | | | | | | | | | | | |
| 1438098-2 | | | | | | | | | | | | | |
| 1438098-1 | | | | | | | | | | | | | |
| 1438098-0 | | | | | | | | | | | | | |
| 8-1419157-5 | | | | | | | | | | | | | |
| 8-1419157-4 | | | | | | | | | | | | | |
| 8-1419157-3 | | | | | | | | | | | | | |
| 8-1419157-2 | | | | | | | | | | | | | |
| 8-1419157-1 | | | | | | | | | | | | | |
| 8-1419157-0 | | | | | | | | | | | | | |

| | | | | | | |
|----------------------------------------|--|----------------------------|--|-----------------------------------------------------------------------|---------------------|-------------------------|
| THIS DRAWING IS A CONTROLLED DOCUMENT. | | OWN: M. FORLSKA 19APR2002 | | NAME: 40 WAY ARM, PLUG ASSEMBLY WITHOUT SHORTING BARS, CUSTOMER SPEC. | | |
| DIMENSIONS: mm | | CHK: M. FORLSKA 19APR2002 | | PRODUCT SPEC: - | APPLICATION SPEC: - | RESTRICTED TO: - |
| TOLERANCES UNLESS OTHERWISE SPECIFIED: | | APVD: A. VALASEK 19APR2002 | | SIZE: A1 | CAGE CODE: 00779 | DRAWING NO: 8-1419157-7 |
| MATERIAL: SEE CHART ON SHEET 2 | | WEIGHT: SEE NOTE 5 | | SCALE: 3:1 | SHEET: 2 OF 5 | REV: CK2 |

PIN-OUT CHART table with columns for terminal positions (1-40) and rows for various part numbers and key types (J, H, L, K, G).

PIN-OUT CHART table for part number 2098034-1, showing terminal positions and key types (H, L, J).

TERMINAL HOLE POSITION. CAVITIES WITH A NUMERIC SYMBOL INDICATE CLOSED TERMINAL HOLE POSITIONS. BLANK CAVITIES INDICATE OPEN TERMINAL HOLE POSITIONS.

Technical drawing details including dimensions, tolerances, material, weight, and customer drawing information.

