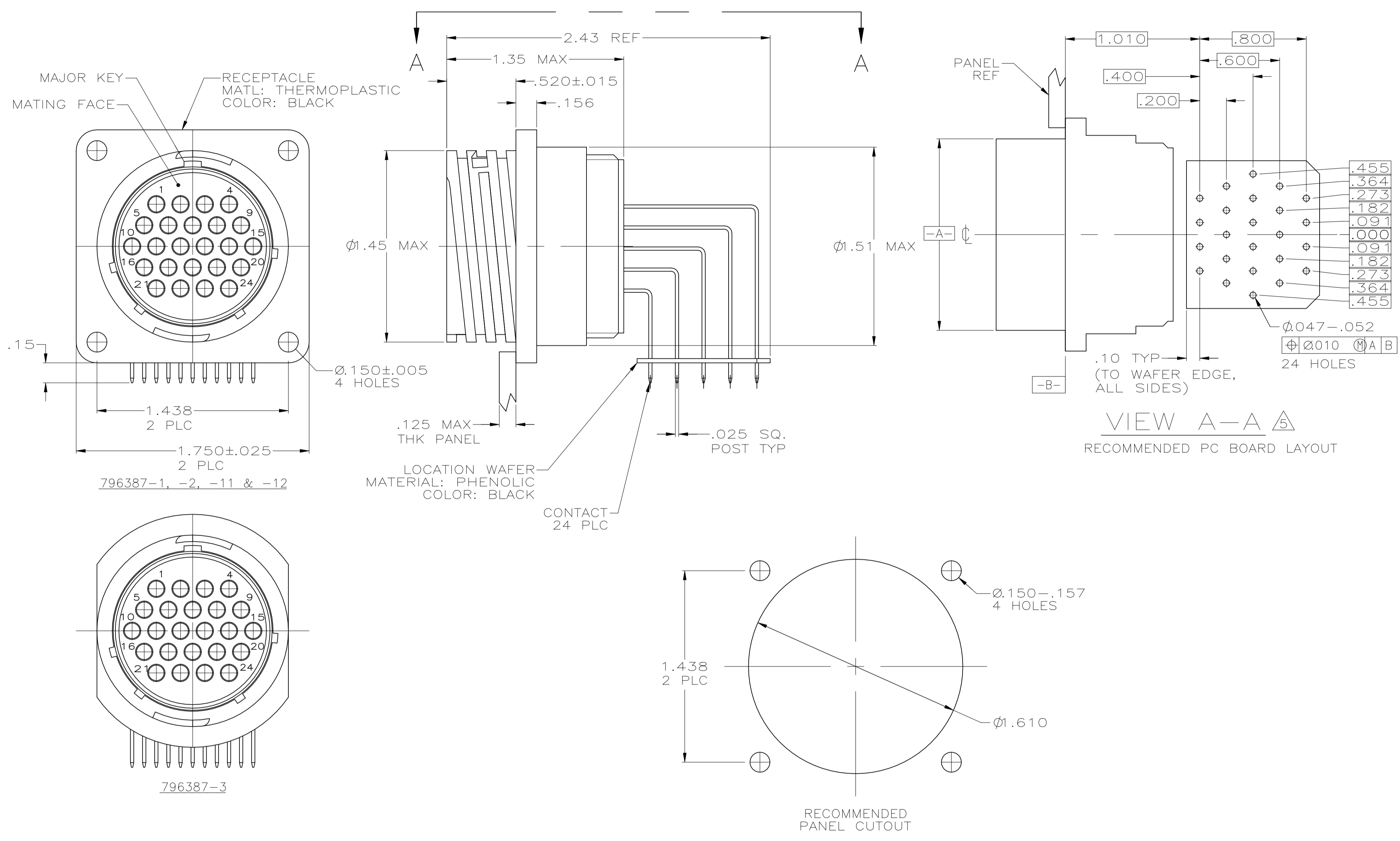


REVISIONS					
P	LTR	DESCRIPTION	DATE	DWN	APVD
C2		REVISED PER ECR-22-150475	26AUG2022	RK	MZ



- 1 CONTACT CAVITIES IDENTIFIED BY CHARACTERS ON FRONT AND REAR FACES OF CONNECTOR.
- 2 #6 FASTENER RECOMMENDED FOR MOUNTING.
- △ CONTACT BODY: .000100 MIN TIN-LEAD OVER .000050 MIN NICKEL.  
CONTACT POST: .000100 MIN TIN-LEAD OVER .000100 MIN COPPER.
- △ CONTACT BODY: .000030 MIN GOLD FOR A LENGTH OF .250 MIN FROM MATING END, WITH REMAINDER TO BE GOLD FLASH, BOTH OVER .000050 MIN NICKEL.  
CONTACT POST: .000100 MIN TIN-LEAD OVER .000100 MIN COPPER.
- △ PC BOARD HOLE PATTERN IS DEFINED RELATIVE TO CONNECTOR C.L.
- △ FREE HANGING RECEPTACLE.
- △ CONTACT BODY: .000100 MIN TIN OVER .000050 MIN NICKEL.  
CONTACT POST: .000100 MIN TIN OVER .000100 MIN COPPER.
- △ CONTACT BODY: .000030 MIN GOLD FOR A LENGTH OF .250 MIN FROM MATING END, WITH REMAINDER TO BE GOLD FLASH, BOTH OVER .000050 MIN NICKEL.  
CONTACT POST: .000100 MIN TIN OVER .000100 MIN COPPER.

NOTES	CONTACT FINISH	PART NUMBER
		1-796387-2
		1-796387-1
OBSELETE	△	-796387-3
OBSELETE	△	796387-2
OBSELETE	△	-796387-1

THIS DRAWING IS A CONTROLLED DOCUMENT.

DIMENSIONS:	TOLERANCES UNLESS OTHERWISE SPECIFIED:	DIN	4-2-00
INCHES		HAMNER	4-4-00
		CHK	M.CHACKO
		APPD	M.CHACKO
		PRODUCT SPEC	
		APPLICATION SPEC	
MATERIAL	FINISH	WEIGHT	

SIZE: A1  
CAGE CODE: 00779  
DRAWING NO: C=796387  
RESTRICTED TO: CUSTOMER DRAWING

SCALE: 2:1  
SHEET: 1 of 1  
REV: C2

RECEPTACLE ASSY, POSTED, RT ANGLE, STD SEX, SIZE 23-24, SERIES 1, CPC

TE Connectivity