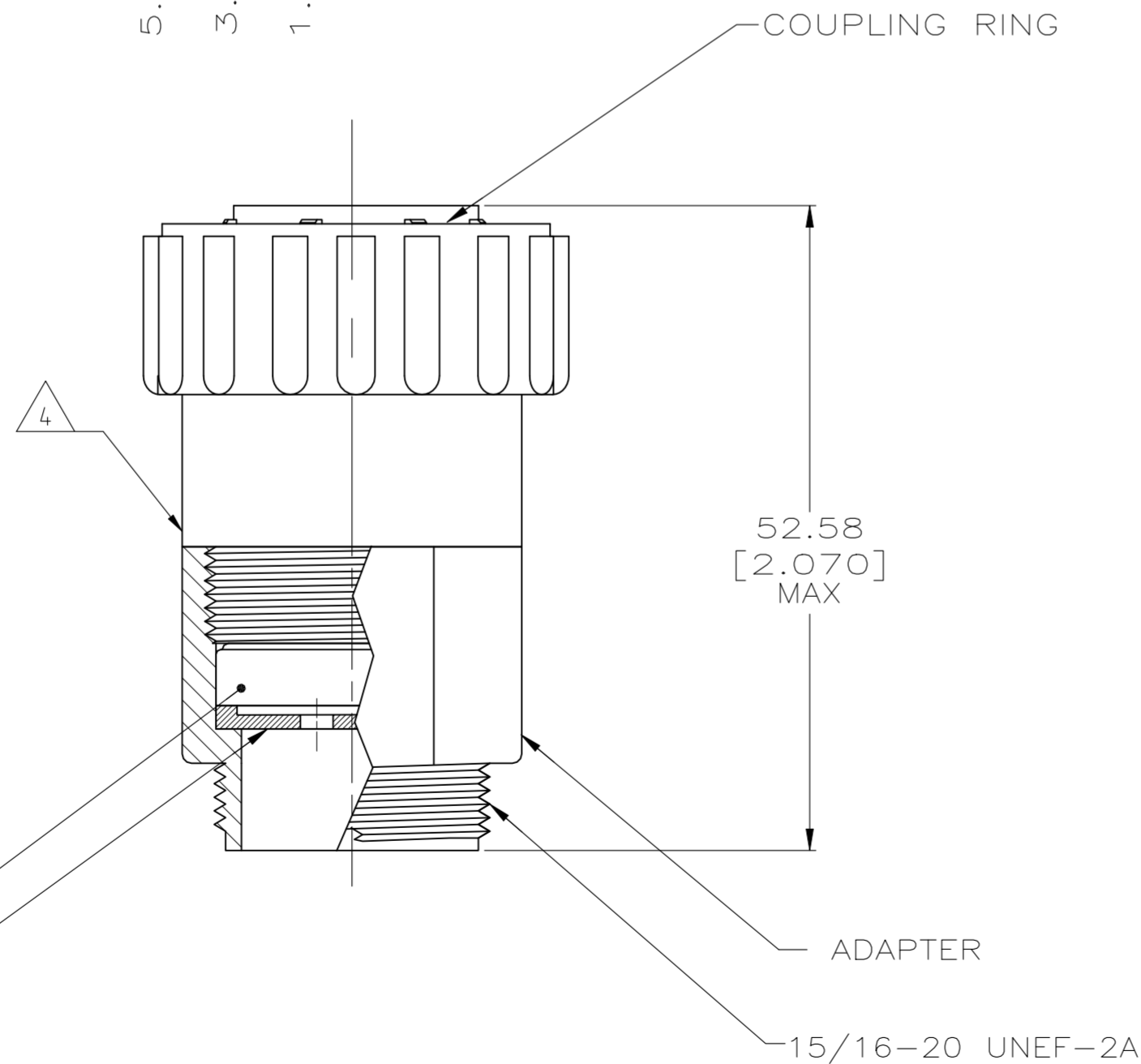
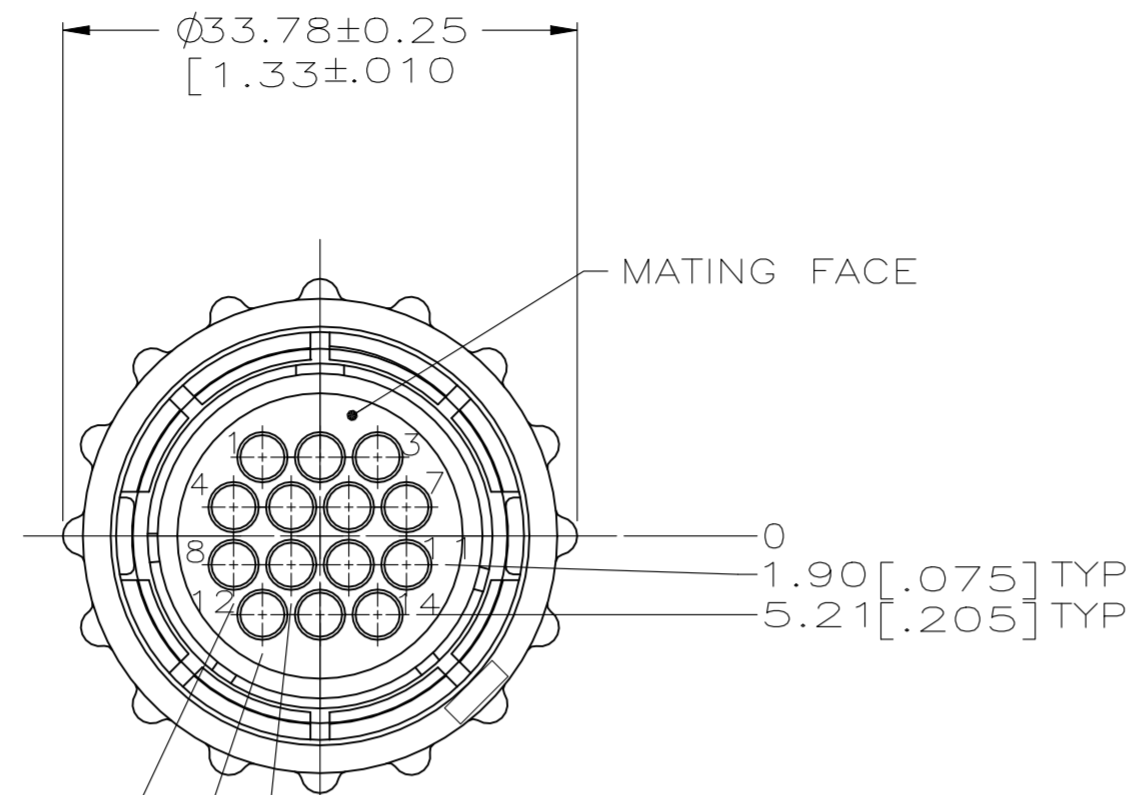


REVISIONS					
P	LTR	DESCRIPTION	DATE	DWN	APVD
E		REVISED PER ECO-21-006945	28OCT2021	RK	MZ

- 1 HOUSING, ADAPTER AND PRESSURE PLATE: NYLON, BLACK.
WIRE ENTRY SEAL: ELASTOMER, RED-IRON OXIDE.
PERIPHERAL SEAL: ELASTOMER, GREY.
COUPLING RING: POLYPHENYLENE, BLACK.
- 2 CONNECTOR WILL ACCEPT (14) MULTIMATE PIN CONTACTS.
- 3 METAL COUPLING RING.
- 4 TE LOGO AND 206044-1 LOCATED ANYWHERE ON THIS SURFACE



3	OBSOLETE	796271-2
		796271-1
	PART NUMBER	

THIS DRAWING IS A CONTROLLED DOCUMENT.		DWN	L. McEACHIN	27-JAN-2000	 TE Connectivity
DIMENSIONS: mm		CHK	K. DOWHOWER	27-JAN-2000	
TOLERANCES UNLESS OTHERWISE SPECIFIED:		APVD	K. DOWHOWER	27-JAN-2000	
0 PLC ± - 1 PLC ± - 2 PLC ± - 3 PLC ± - 4 PLC ± - ANGLES ± -		PRODUCT SPEC	NAME		
MATERIAL		FINISH		WEIGHT	ASSEMBLY, PLUG, REV SEX, 17-14, SEALED
		-		-	SIZE
CUSTOMER DRAWING		SCALE		2:1	CAGE CODE
		SHEET		1 of 1	DRAWING NO
		REV		E	C=796271
		RESTRICTED TO		-	