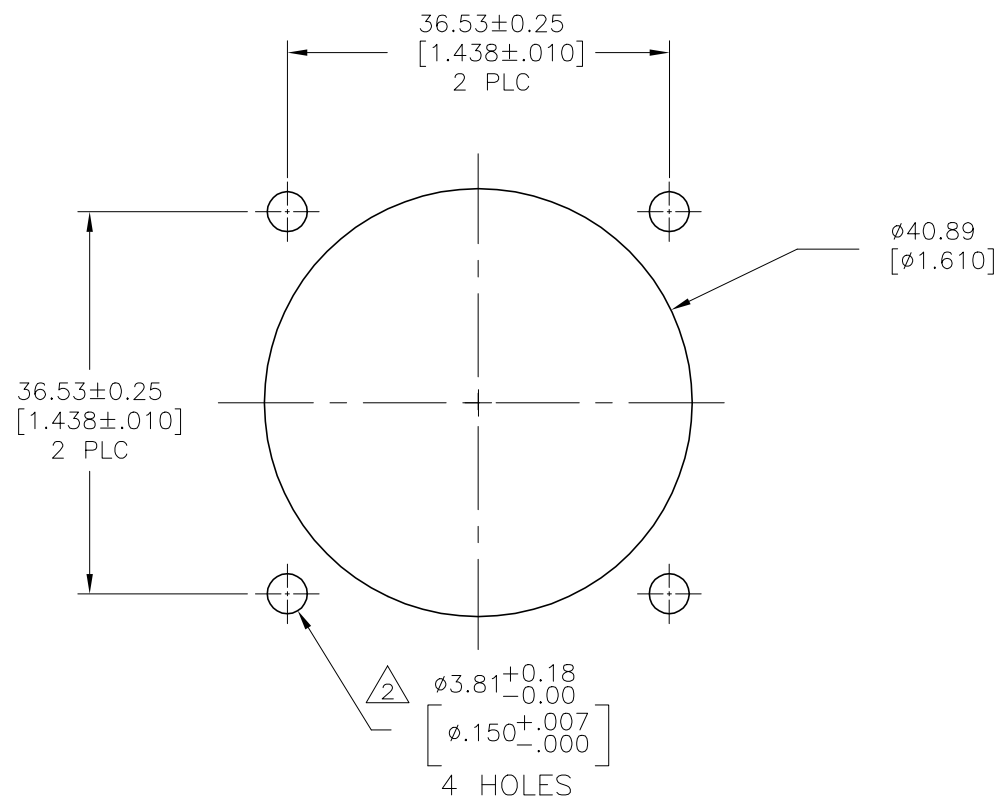
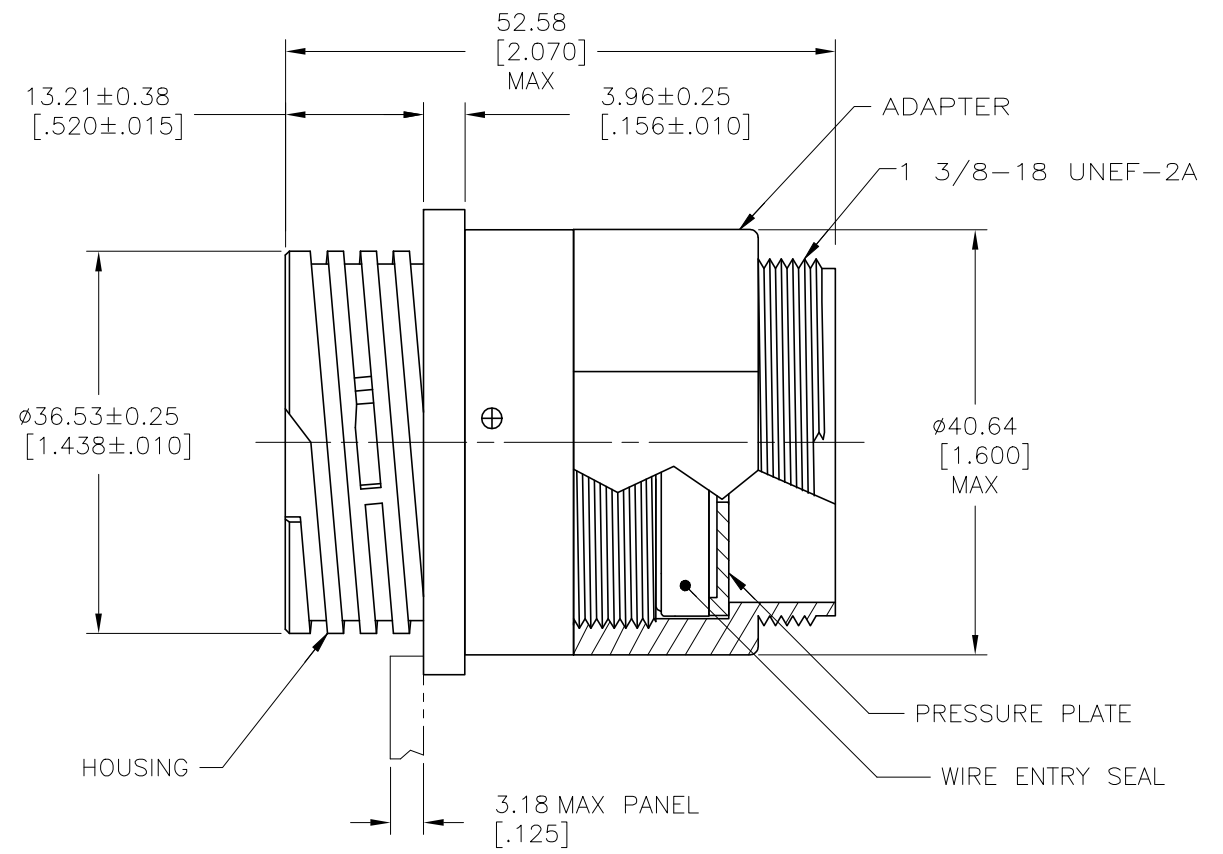
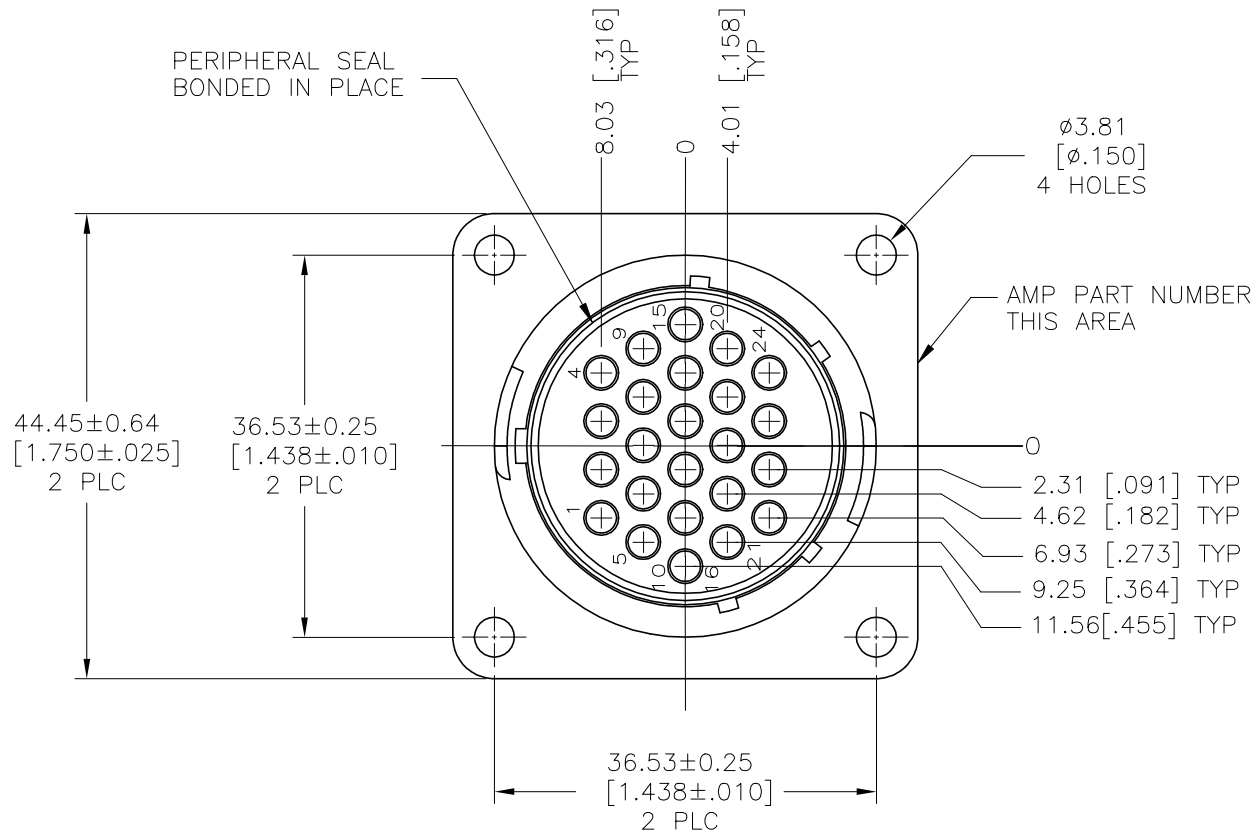


THIS DRAWING IS UNPUBLISHED. RELEASED FOR PUBLICATION  
 © COPYRIGHT - By - ALL RIGHTS RESERVED.

REVISIONS				
P	LTR	DESCRIPTION	DATE	APVD
B		REVISED PER ECO-16-006380	17JUN2016	NK MZ
C		REVISED PER ECO-19-011232	06AUG2019	RS MZ



- 1 HOUSING, ADAPTER AND PRESSURE PLATE: NYLON, BLACK. WIRE ENTRY SEAL: ELASTOMER, RED-IRON OXIDE. PERIPHERAL SEAL: ELASTOMER, BLACK.
- 2 NUMBER 4 FASTENERS RECOMMENDED FOR MOUNTING.
- 3 CONNECTOR WILL ACCEPT (24) MULTIMATE PIN CONTACTS.

1.65-2.54 [.065-.100]	796190-1
WIRE INSULATION DIAMETER RANGE	PART NUMBER

THIS DRAWING IS A CONTROLLED DOCUMENT.		DWN C.DORWART 16 JUL 98	<b>STE</b> TE Connectivity	
DIMENSIONS: mm [INCHES]		CHK K.DOWHOWER 10 AUG 99		
TOLERANCES UNLESS OTHERWISE SPECIFIED:		APVD K.DOWHOWER 10 AUG 99	NAME	
0 PLC ± - 1 PLC ± - 2 PLC ± 0.13 [.005] 3 PLC ± - 4 PLC ± - ANGLES ± -		PRODUCT SPEC 108-1579	RECEPTACLE ASSEMBLY, STANDARD SEX, SIZE 23-24, SEALED CPC	
MATERIAL		APPLICATION SPEC	SIZE A2	CAGE CODE 00779
FINISH		WEIGHT	DRAWING NO C=796190	
1		CUSTOMER DRAWING	SCALE 2:1	SHEET 1 of 1
			RESTRICTED TO -	
			REV C	