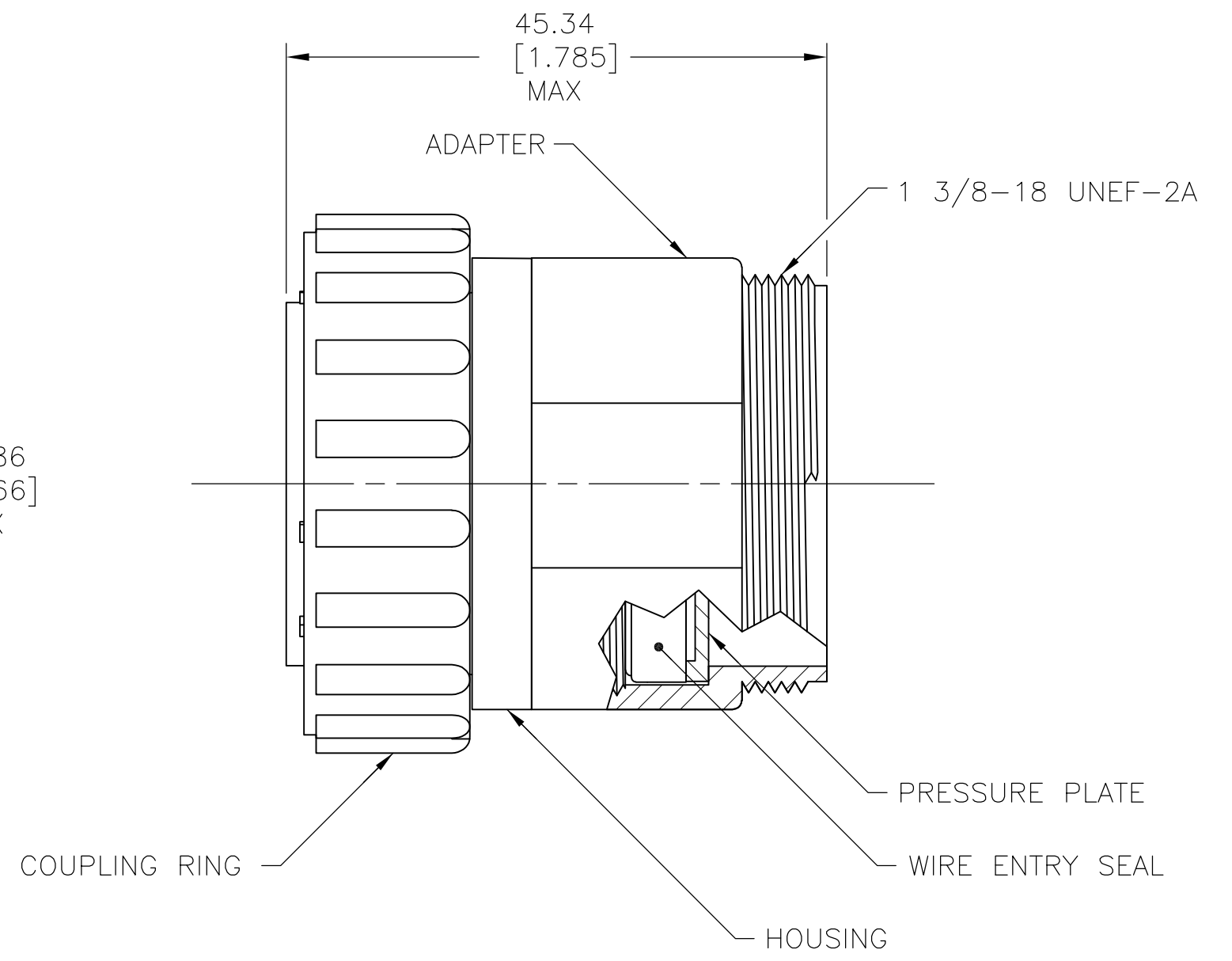
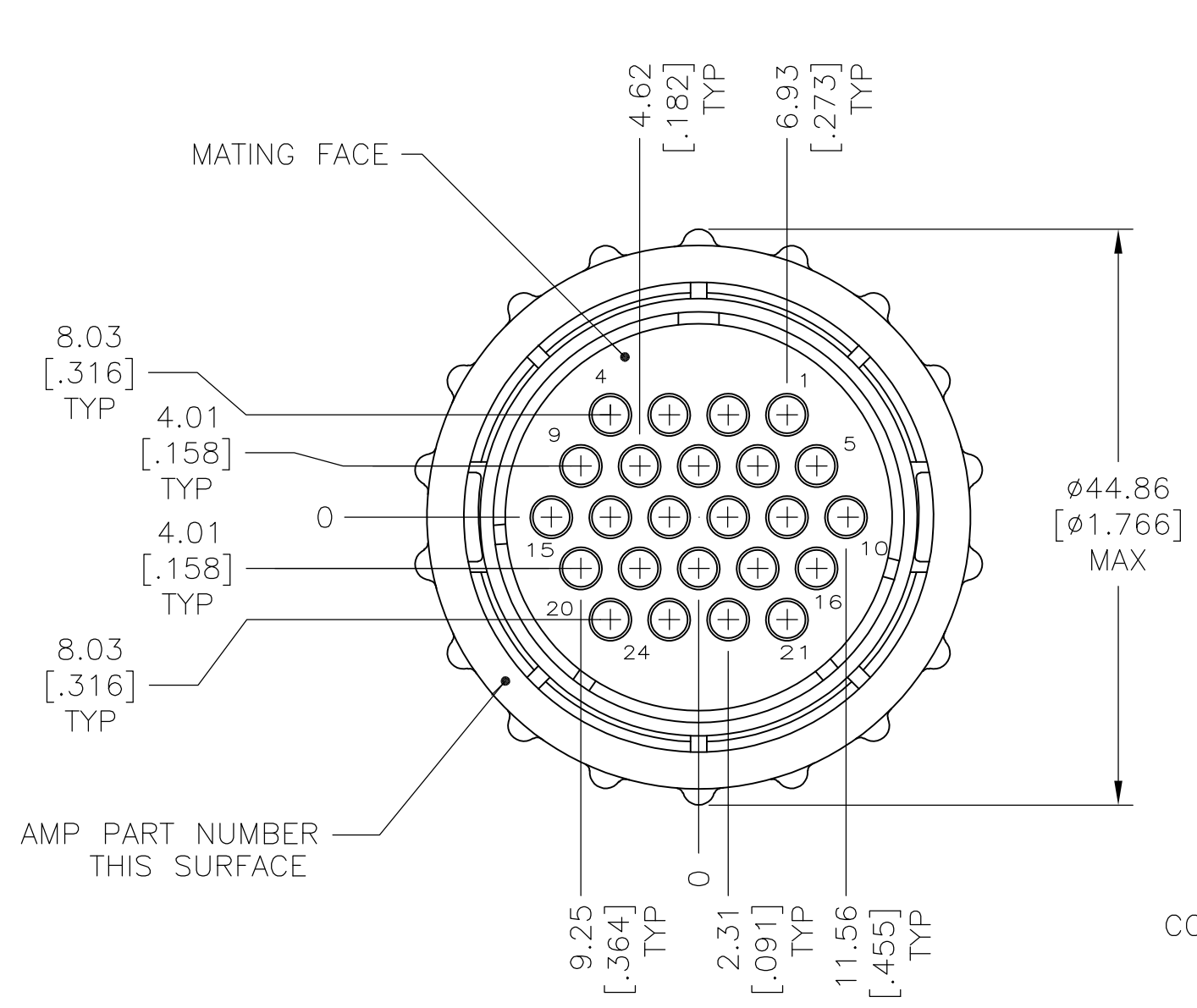


THIS DRAWING IS UNPUBLISHED. RELEASED FOR PUBLICATION  
 © COPYRIGHT - By - ALL RIGHTS RESERVED.

REVISIONS				
P	LTR	DESCRIPTION	DATE	APVD
B		REVISED PER ECO-16-006380	16JUN2016	NK MZ



- 1 HOUSING, ADAPTER AND PRESSURE PLATE: NYLON, BLACK.  
 COUPLING RING: POLYESTER, BLACK.  
 WIRE ENTRY SEAL: ELASTOMER, RED-IRON OXIDE.
- 2 CONNECTOR WILL ACCEPT (24) MULTIMATE SOCKET CONTACTS.

THIS DRAWING IS A CONTROLLED DOCUMENT.	
DIMENSIONS: mm [INCHES]	TOLERANCES UNLESS OTHERWISE SPECIFIED:
	0 PLC ± -
	1 PLC ± -
	2 PLC ± 0.13 [.005]
	3 PLC ± -
MATERIAL	FINISH
1	-

1.65-2.54 [.065-.100]		796188-1	
WIRE INSULATION DIAMETER RANGE		PART NUMBER	
DWN	13 JUL 98	TE Connectivity	
CHK	10 AUG 99		
APVD	10 AUG 99		
K.DOWHOWER		NAME	
K.DOWHOWER		PLUG ASSEMBLY, STANDARD SEX, SIZE 23-24, SEALED CPC	
108-1579		SIZE	
APPLICATION SPEC		CAGE CODE	
-		DRAWING NO	
WEIGHT		RESTRICTED TO	
CUSTOMER DRAWING		A3 00779 C-796188	
SCALE 2:1		SHEET 1 OF 1	
		REV B	