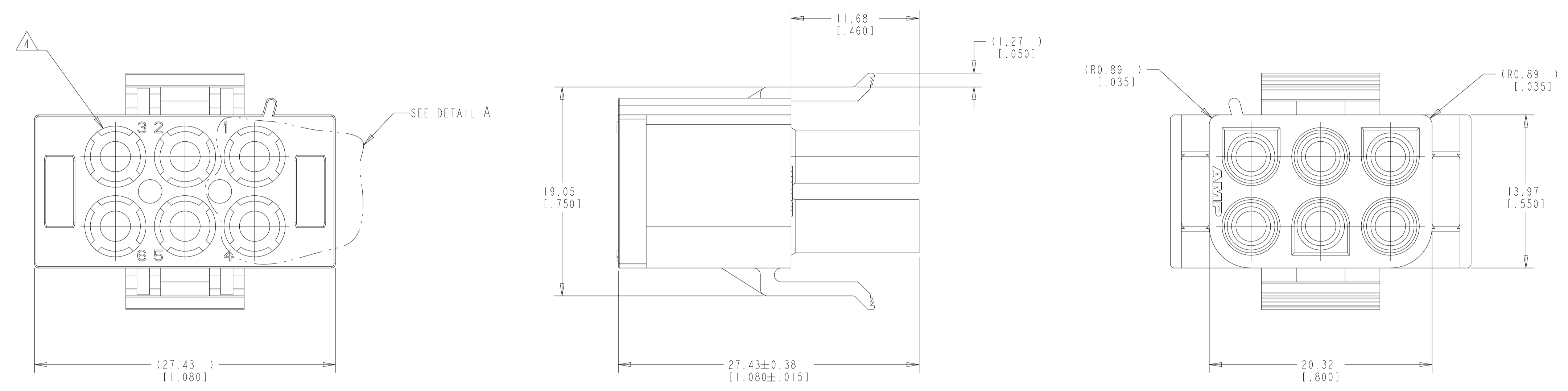
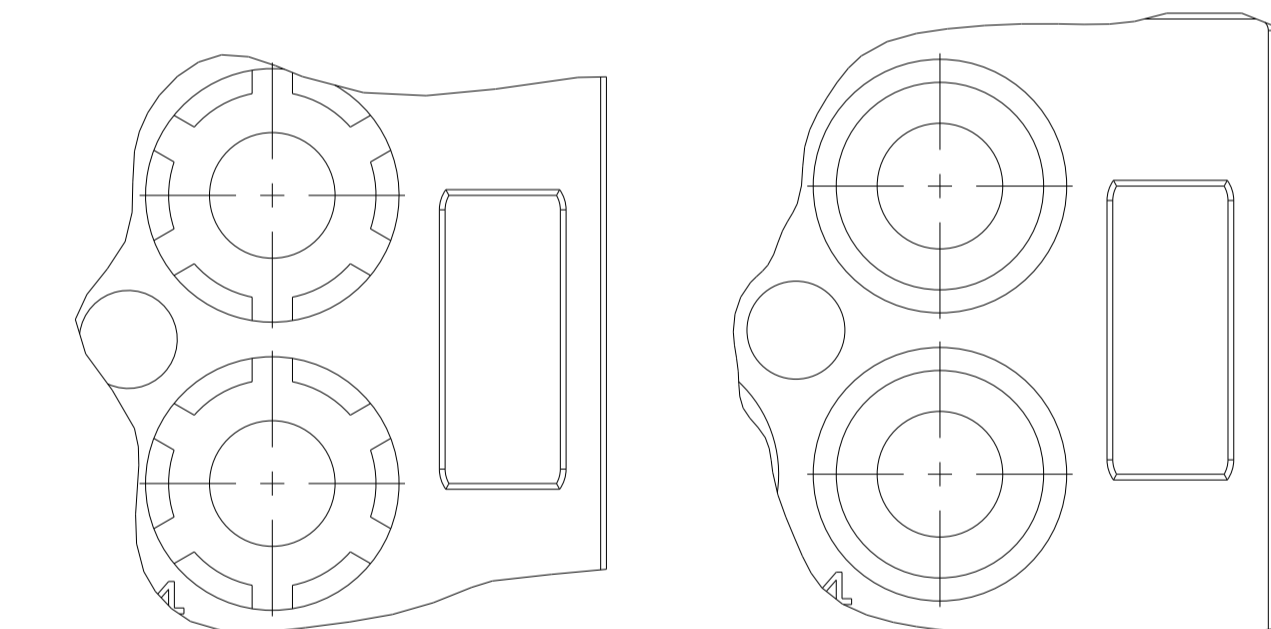
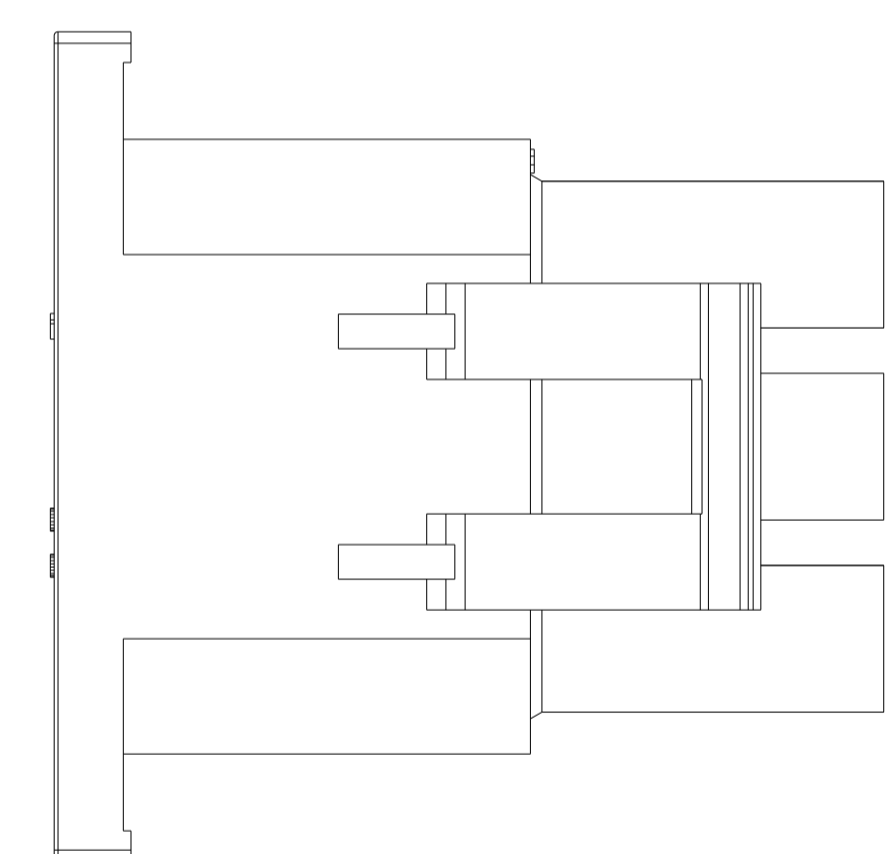


REVISIONS				
P	LTN	DESCRIPTION	DATE	APVD
C		REVISED PER ECR-21-100149	29JAN2021	PC JS
D		REVISED PER ECR-24-218682	09SEP2024	AK BR

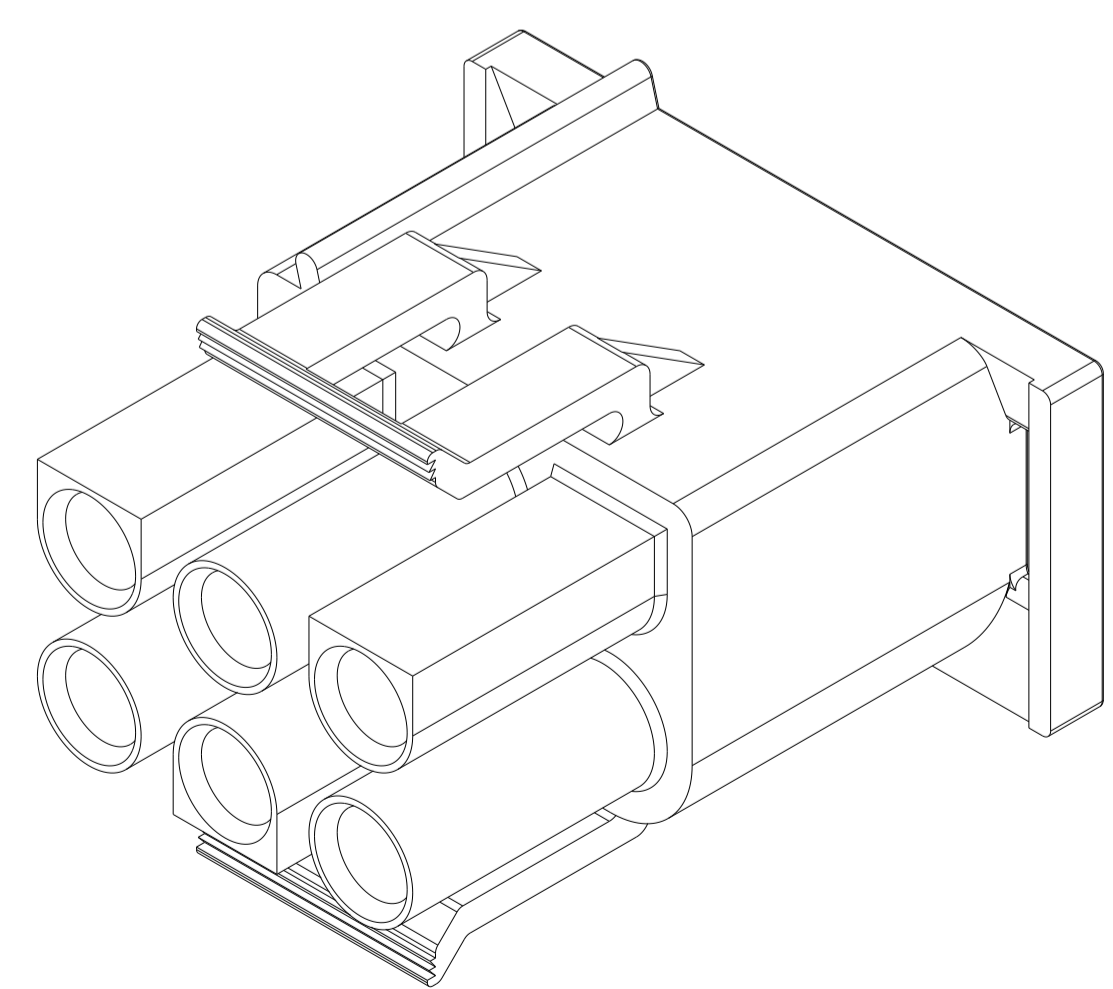
- 1 MATES WITH APPROPRIATE UNIVERSAL MATE-N-LOK™ CAP OR HEADER.
- 2 SMALL NICKS ARE PERMITTED ON THE CIRCUIT TOWERS WHICH COULD INCREASE THE INITIAL HOUSING MATING FORCE BY UP TO 4.4 NEWTONS [1.0 LBS]. NO INDIVIDUAL NICKED TOWER SHALL INCREASE THIS FORCE BY OVER 2.2 NEWTONS [0.5 LBS].
- 3 DIMENSIONS SHOWN REPRESENT PRODUCT IN DRY, AS MOLDED CONDITION ADDITIONAL 2% GROWTH DUE TO SUBSEQUENT MOISTURE ABSORPTION MAY OCCUR AND SHOULD BE ACCOUNTED FOR.





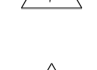


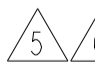

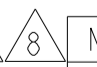

SEE DETAIL A



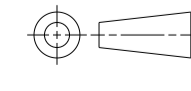
DETAIL A   
SCALE 6:1  
OPTIONAL CONSTRUCTION



-  FOUR RIBS EQUALLY SPACED, NO SPECIFIC ORIENTATION. NO RIBS OR SIX RIBS EQUALLY SPACED, NO SPECIFIC ORIENTATION, OPTIONAL
-  FLAMMABILITY V2 FOR THICKNESS 0.38mm, 1.5mm, and 3.0mm PER IEC 60695-11-10.
-  GLOW-WIRE FLAMMABILITY (GWFI) 800°C FOR THICKNESS 0.38mm AND 0.75mm PER IEC 60695-2-12.
-  GLOW-WIRE FLAMMABILITY (GWFI) 960°C FOR THICKNESS 1.5mm AND 3.0mm PER IEC 60695-2-12.
-  GLOW-WIRE IGNITION (GWIT) 825°C FOR THICKNESS 0.38mm, 0.75mm, 1.5mm AND 3.0mm PER IEC 60695-2-13.

				NYLON UL94V-2 GWT NATURAL	794816-2
				NYLON UL94V-0 NATURAL	794816-1
				MATERIAL	PART NUMBER

THIS DRAWING IS A CONTROLLED DOCUMENT.

DIMENSIONS: mm [INCHES]	TOLERANCES UNLESS OTHERWISE SPECIFIED:	0 PLC ±	1 PLC ±	2 PLC ±0.13	3 PLC ±	4 PLC ±	ANGLES ±	FINISH ±
							±0°30'	

MATERIAL	SEE TABLE	WEIGHT		CUSTOMER DRAWING
----------	-----------	--------	--	------------------

OWN	K. WHITAKER	01JUN2001
CHK	S. RIDGILL	01JUN2001
APVD	S. RIDGILL	01JUN2001
NAME	PLUG.6 CIRCUIT, UNIVERSAL MATE-N-LOK	
PRODUCT SPEC		
APPLICATION SPEC		
SIZE	CAGE CODE	DRAWING NO
A	00779	794816
RESTRICTED TO		

SCALE 4:1 SHEET 1 OF 1 REV D