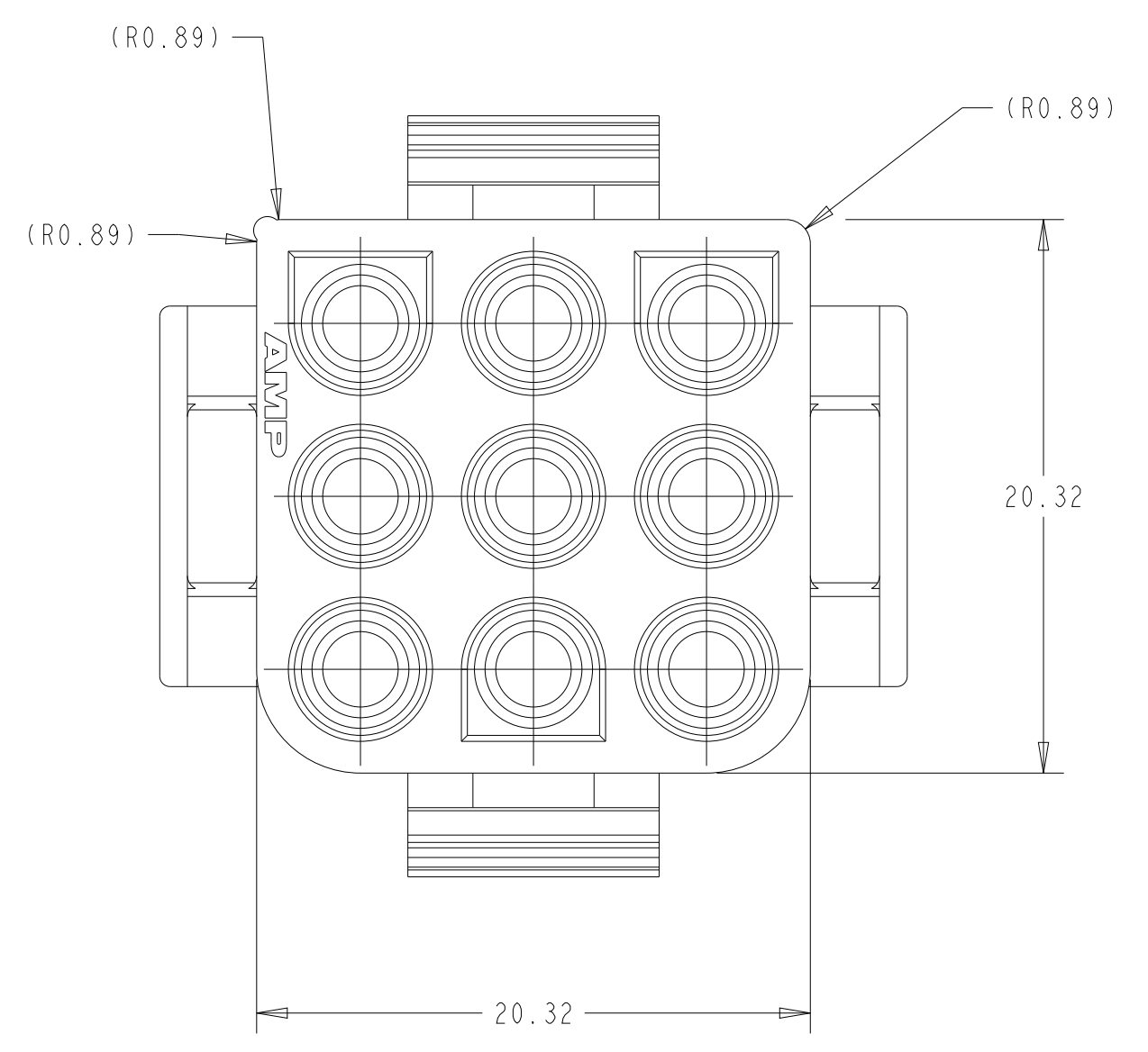
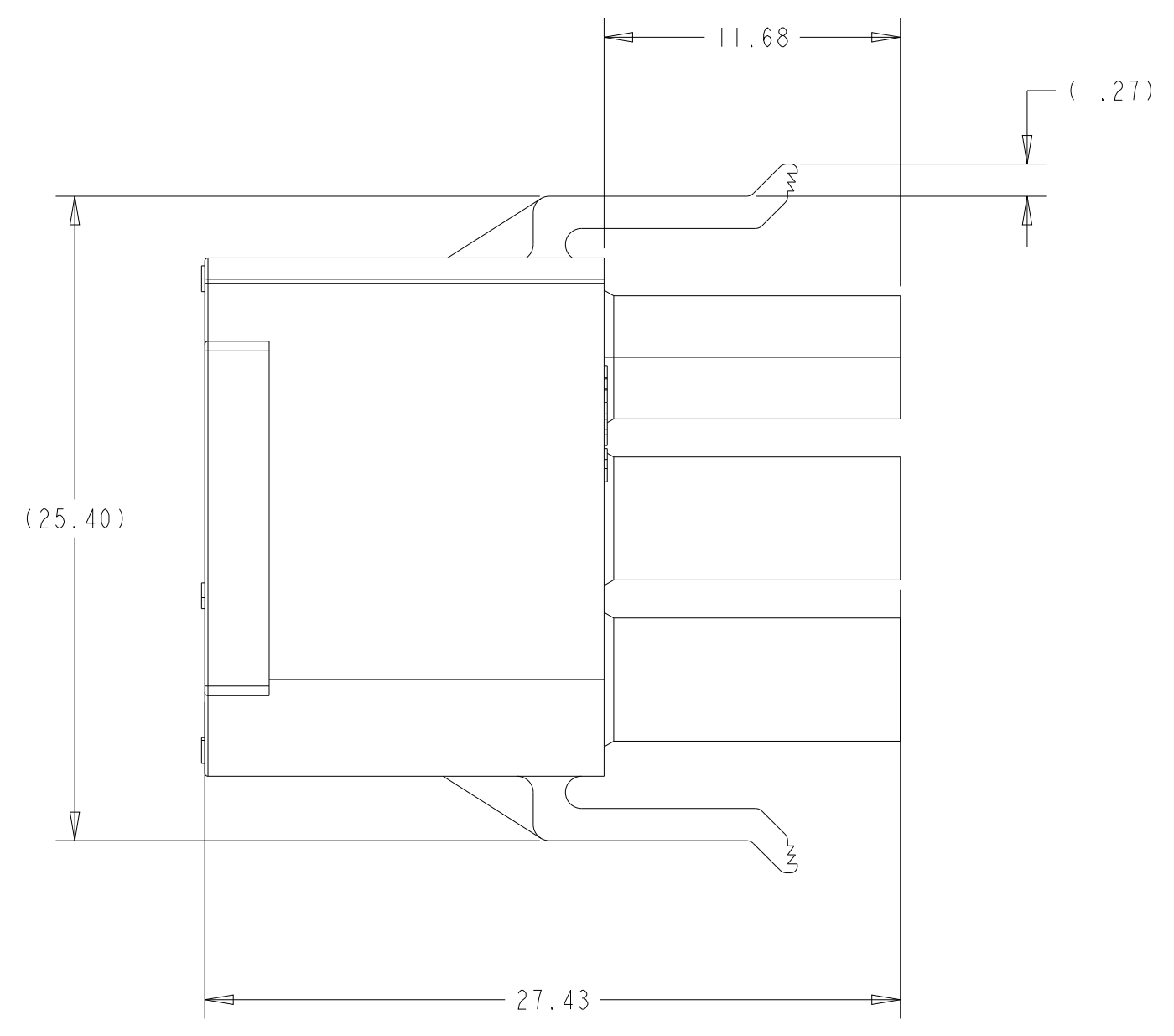
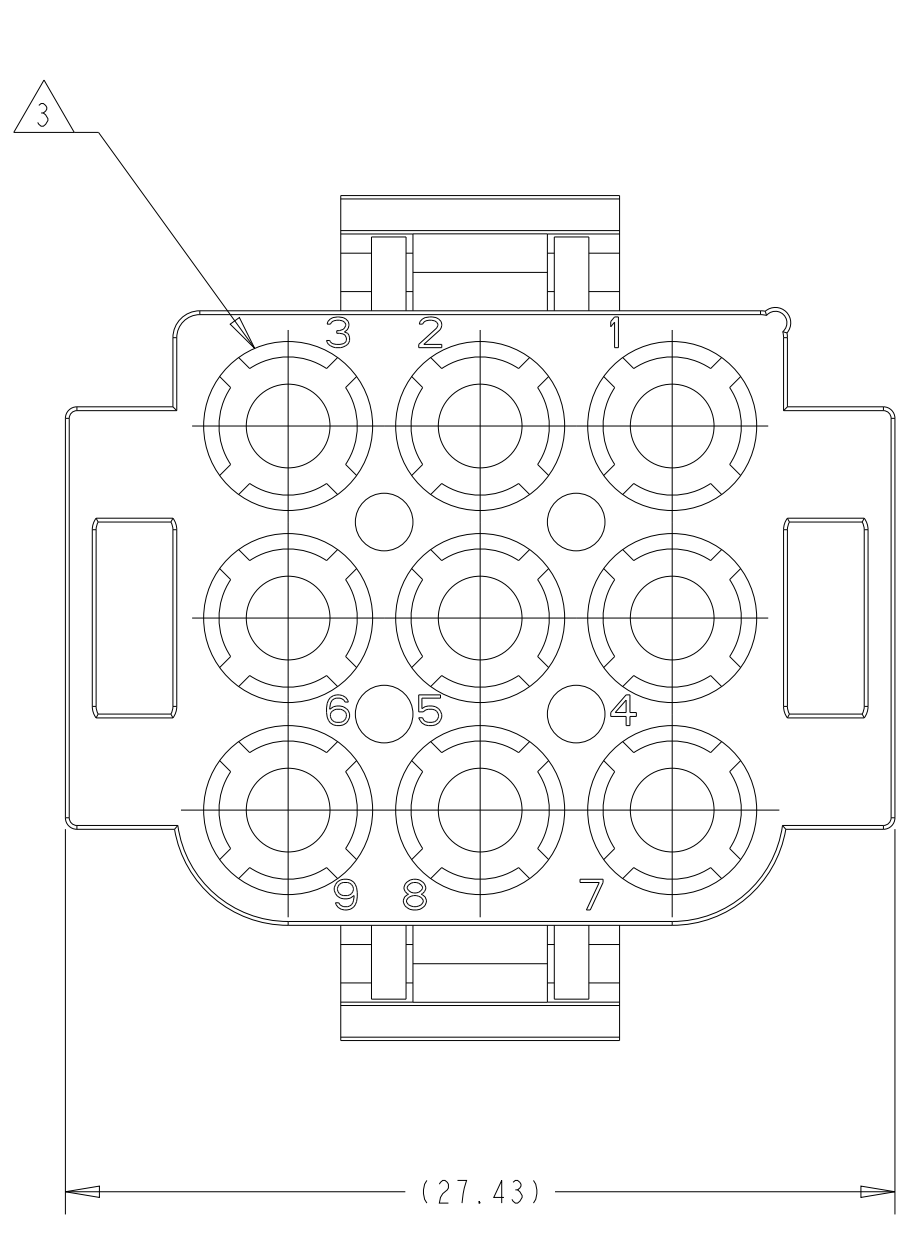
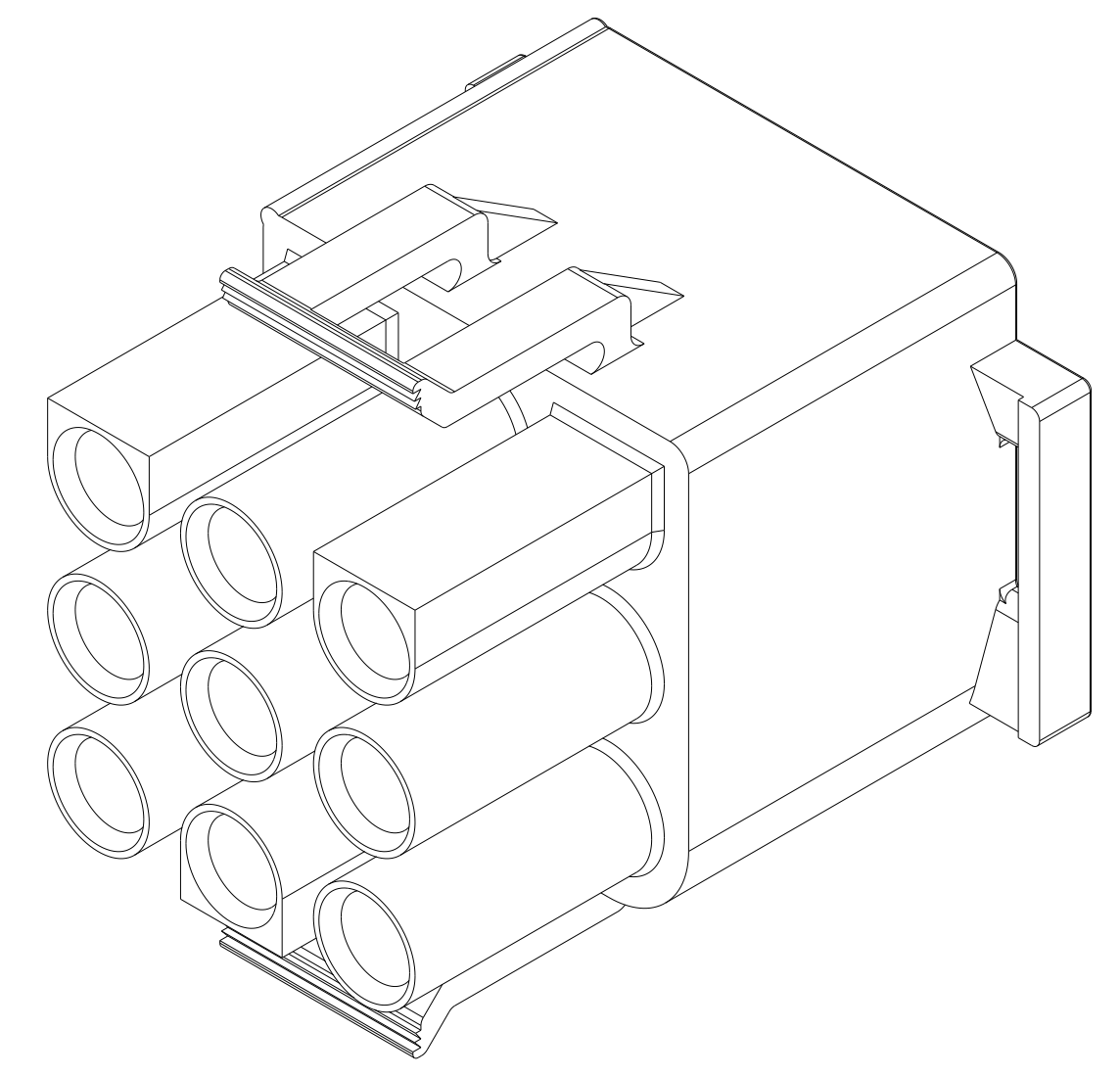
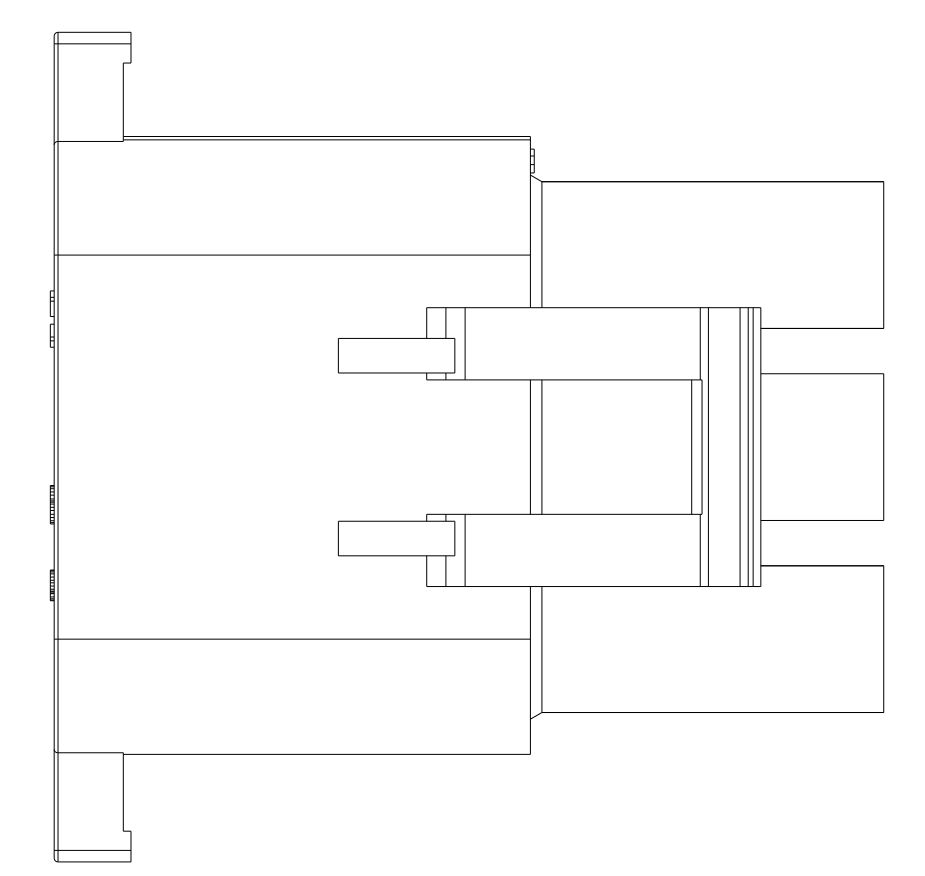
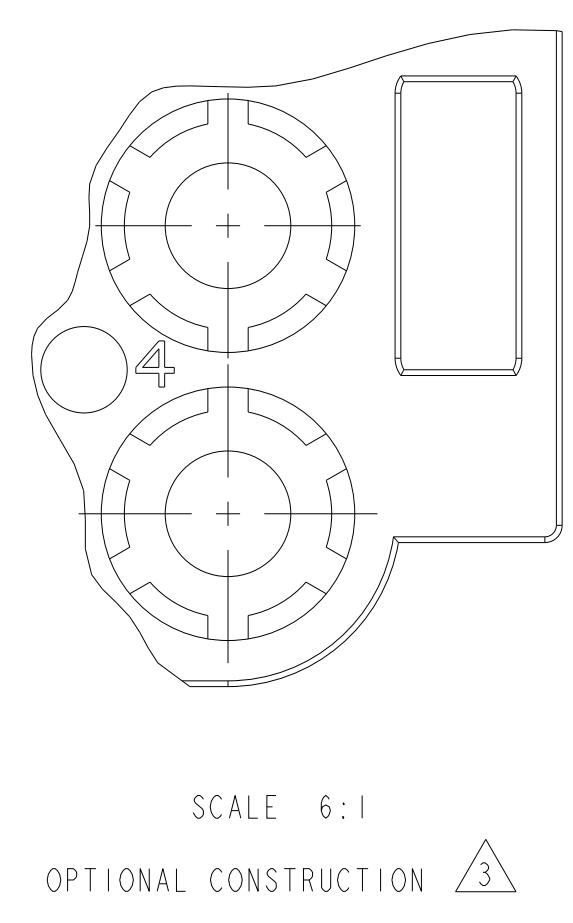


REVISIONS				
P	LTN	DESCRIPTION	DATE	APVD
C3		REVISED PER ECO-17-011927	22AUG2017	RS KR
D		REVISED PER ECR-24-218682	09SEP2024	AK BR



- 1 MATES WITH APPROPRIATE UNIVERSAL MATE-N-LOK™ CAP OR HEADER.
- 2 SMALL NICKS ARE PERMITTED ON THE CIRCUIT TOWERS WHICH COULD INCREASE THE INITIAL HOUSING MATING FORCE BY UP TO 4.4 NEWTONS [1.0 LBS]. NO INDIVIDUAL NICKED TOWER SHALL INCREASE THIS FORCE BY OVER 2.2 NEWTONS (.5 LBS).
- 3 FOUR RIBS EQUALLY SPACED, NO SPECIFIC ORIENTATION, OR SIX RIBS EQUALLY SPACED, NO SPECIFIC ORIENTATION, OPTIONAL
- 4 FLAMMABILITY V2 FOR THICKNESS 0.38mm, 1.5mm, and 3.0mm PER IEC 60695-11-10.
- 5 GLOW-WIRE FLAMMABILITY (GWI) 800°C FOR THICKNESS 0.38mm AND 0.75mm PER IEC 60695-2-12.
- 6 GLOW-WIRE FLAMMABILITY (GWI) 960°C FOR THICKNESS 1.5mm AND 3.0mm PER IEC 60695-2-12.
- 7 GLOW-WIRE IGNITION (GWIT) 825°C FOR THICKNESS 0.38mm, 0.75mm, 1.5mm AND 3.0mm PER IEC 60695-2-13.
- 8 DIMENSIONS SHOWN REPRESENT PRODUCT IN DRY, AS MOLDED CONDITION ADDITIONAL 2% GROWTH DUE TO SUBSEQUENT MOISTURE ABSORPTION MAY OCCUR AND SHOULD BE ACCOUNTED FOR.



mm	IN
27.70	1.090
25.65	1.009
20.52	.808
11.68	.460
1.24	.049
0.38	.015
0.13	.005
mm	IN

CONVERSION TABLE

4	5	6	7	NYLON UL94V-2 GW NATURAL	794741-2
				NYLON UL94V-0 NATURAL	794741-1
				MATERIAL	PART NUMBER

THIS DRAWING IS A CONTROLLED DOCUMENT.

DIMENSIONS:	TOLERANCES UNLESS OTHERWISE SPECIFIED:	OWN: K. WHITAKER 23JAN2001	CHK: S. RIDGILL 23JAN2001	APVD: S. RIDGILL 23JAN2001	NAME: PLUG, SHORT LATCH, 9 CKT, UNIVERSAL MATE-N-LOK
mm	0 PLC ± 1 PLC ± 2 PLC ±0.30 3 PLC ± 4 PLC ±	PRODUCT SPEC	APPLICATION SPEC	SIZE	CAGE CODE
ANGLES	FINISH	WEIGHT	CUSTOMER DRAWING	00779	794741
				SCALE: 4:1	SHEET 1 OF 1

TE Connectivity