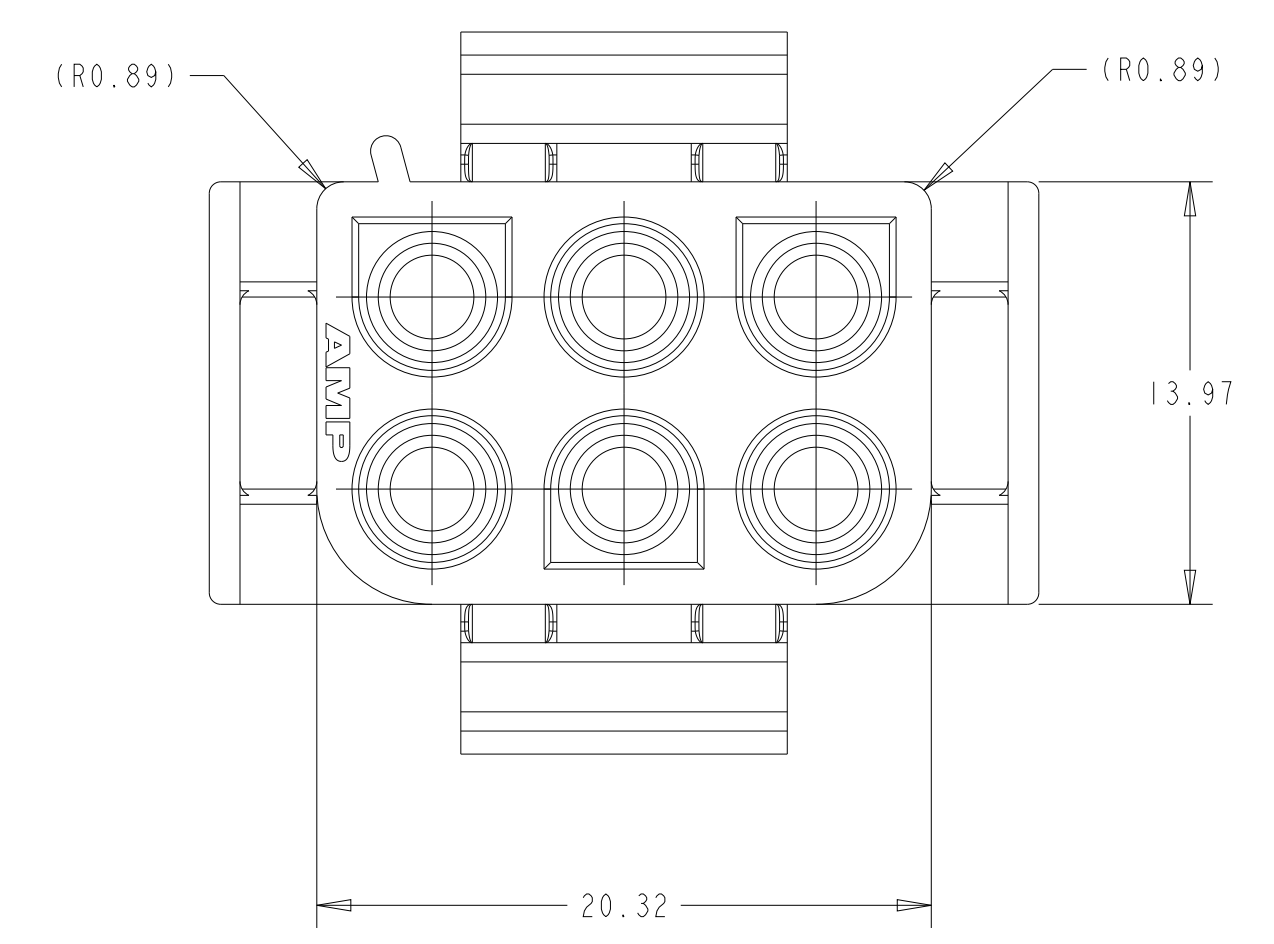
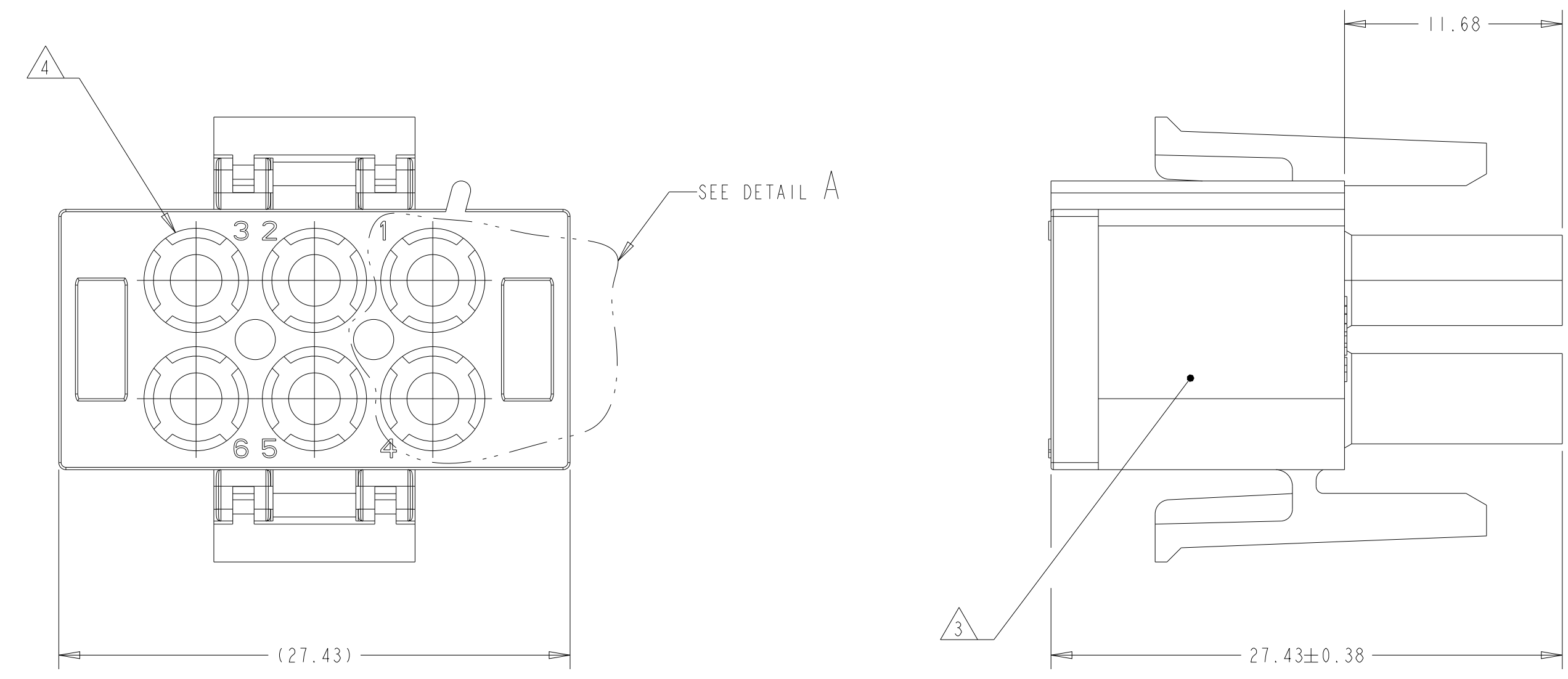
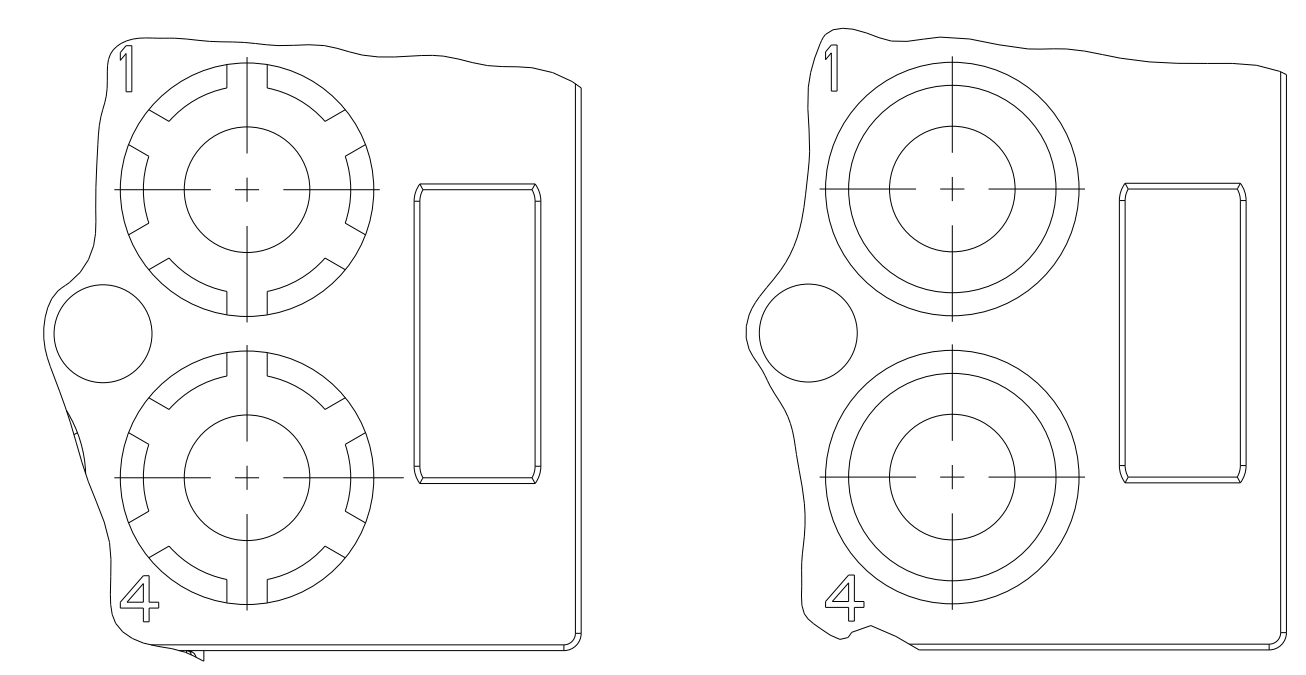
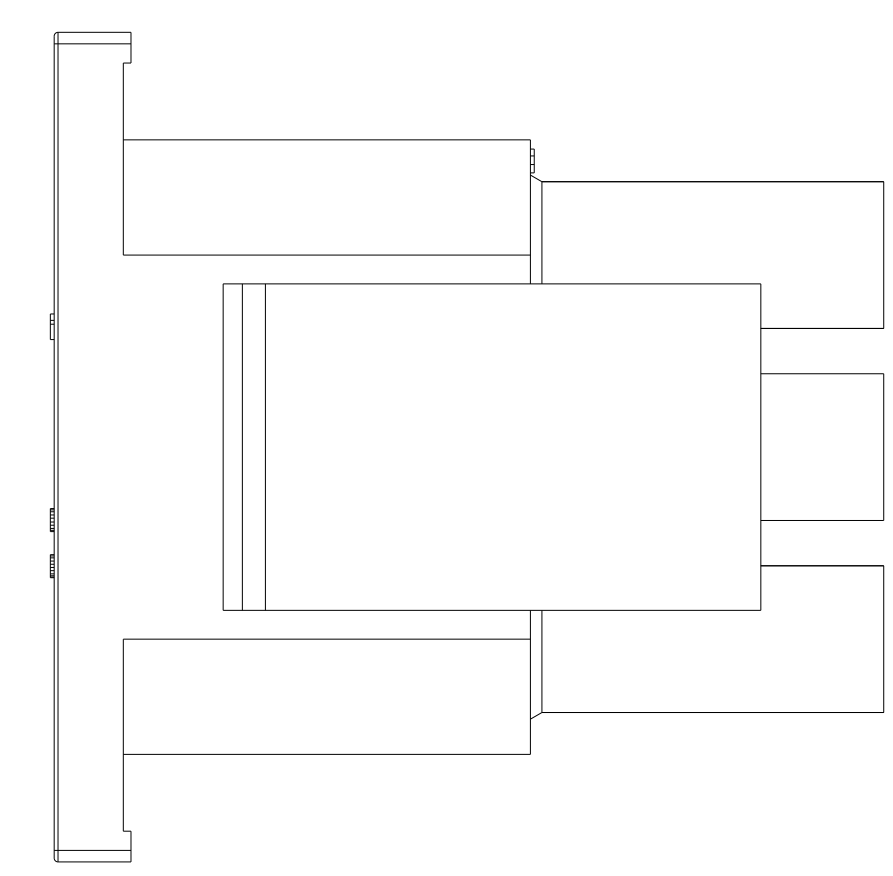


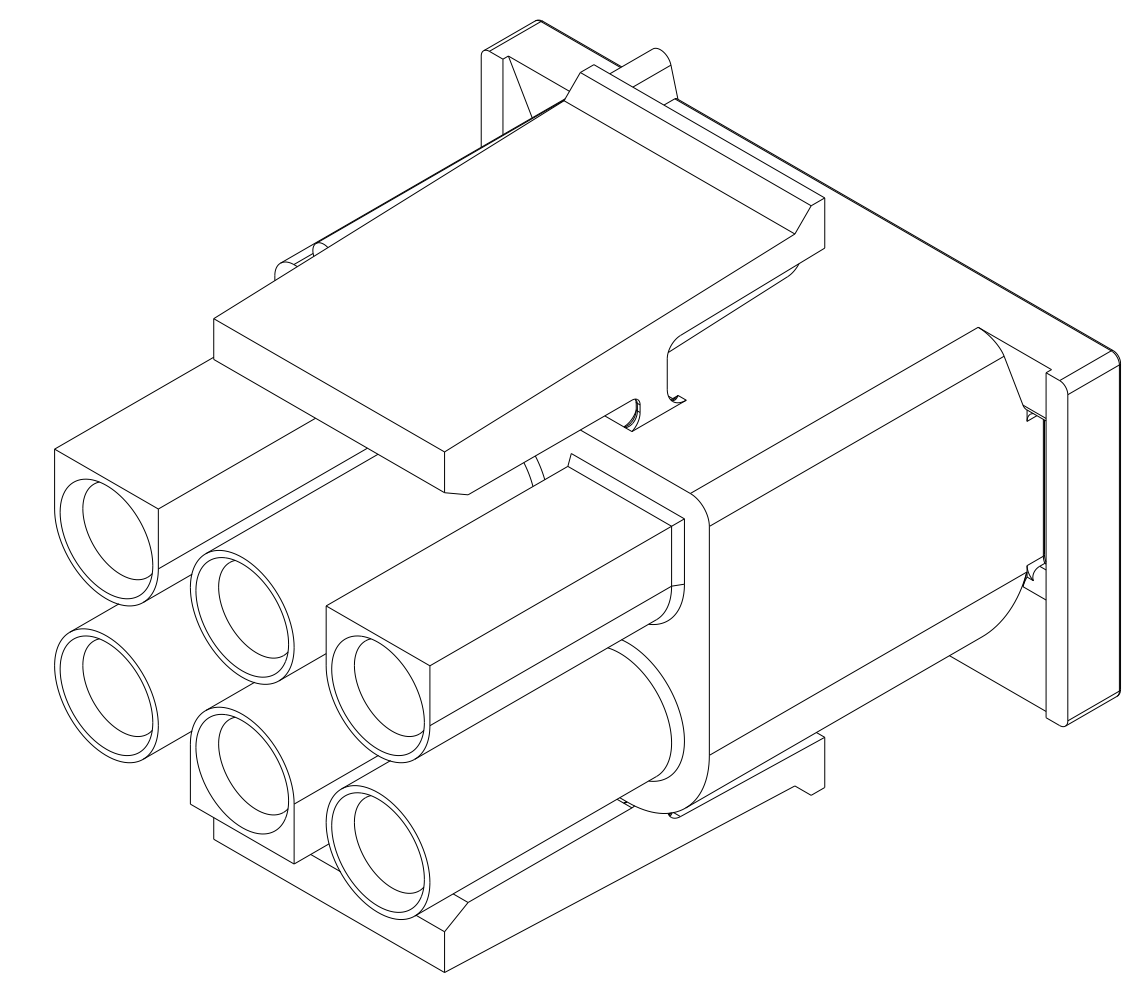
REVISIONS				
P	LTN	DESCRIPTION	DATE	APVD
A3		REVISED PER ECO-17-011927	22AUG2017	RS KR
B		REVISED PER ECR-24-218682	09SEP2024	AK BR



- 1 MATES WITH APPROPRIATE UNIVERSAL MATE-N-LOK™ CAP OR HEADER.
- 2 SMALL NICKS ARE PERMITTED ON THE CIRCUIT TOWERS WHICH COULD INCREASE THE INITIAL HOUSING MATING FORCE BY UP TO 4.4 NEWTON (1.0 LBS). NO INDIVIDUAL NICKED TOWER SHALL INCREASE THIS FORCE BY OVER 2.2 NEWTONS (.5 LBS).
- 3 UNDERWRITER RECOGNIZED COMPONENT LOGO AND CSA CERTIFICATION LOGO TO BE LOCATED ONCE EACH SIDE ON SIDE OF HOUSING.
- 4 FOUR RIBS EQUALLY SPACED, NO SPECIFIC ORIENTATION. NO RIBS OR SIX RIBS EQUALLY SPACED, NO SPECIFIC ORIENTATION, OPTIONAL.
- 5 150° C TEMPERATURE RATING FOR THIS HOUSING IS FOR SHORT TERM DURATION MAX OPERATING TEMPERATURE REMAINS 125° C.
- 6 SPECIAL PACKAGING
- 7 PHOSPHOR BRONZE CONTACTS SHOULD ALWAYS BE USED WITH THIS HOUSING.
- 8 DIMENSIONS SHOWN REPRESENT PRODUCT IN DRY, AS MOLDED CONDITION ADDITIONAL 2% GROWTH DUE TO SUBSEQUENT MOISTURE ABSORPTION MAY OCCUR AND SHOULD BE ACCOUNTED FOR.



DETAIL A
SCALE 6:1
OPTIONAL CONSTRUCTIONS



MM	IN
27.43	1.080
20.32	.800
13.97	.550
11.68	.460
0.38	.015
0.13	.005
MM	IN

CONVERSION TABLE

8-794535-1
794535-1
PART NUMBER

THIS DRAWING IS A CONTROLLED DOCUMENT.		DWN R. WHITAKER 18NOV1998	NAME PLUG.6 CIRCUIT, UNIVERSAL MATE-N-LOK	
DIMENSIONS:		CHK R. SWING 18NOV1998	PRODUCT SPEC	
TOLERANCES UNLESS OTHERWISE SPECIFIED:		APVD D. SELE 18NOV1998	APPLICATION SPEC	
mm	0 PLC ±	SIZE	CAGE CODE	DRAWING NO
	1 PLC ±	WEIGHT		
	2 PLC ±0.13	A 00779 794535		
	3 PLC ±	CUSTOMER DRAWING		
	4 PLC ±	SCALE 4:1 SHEET 1 OF 1 REV B		
ANGLES	FINISH			
	±0°30'			
MATERIAL	NYLON, UL 94V-2 BLACK			