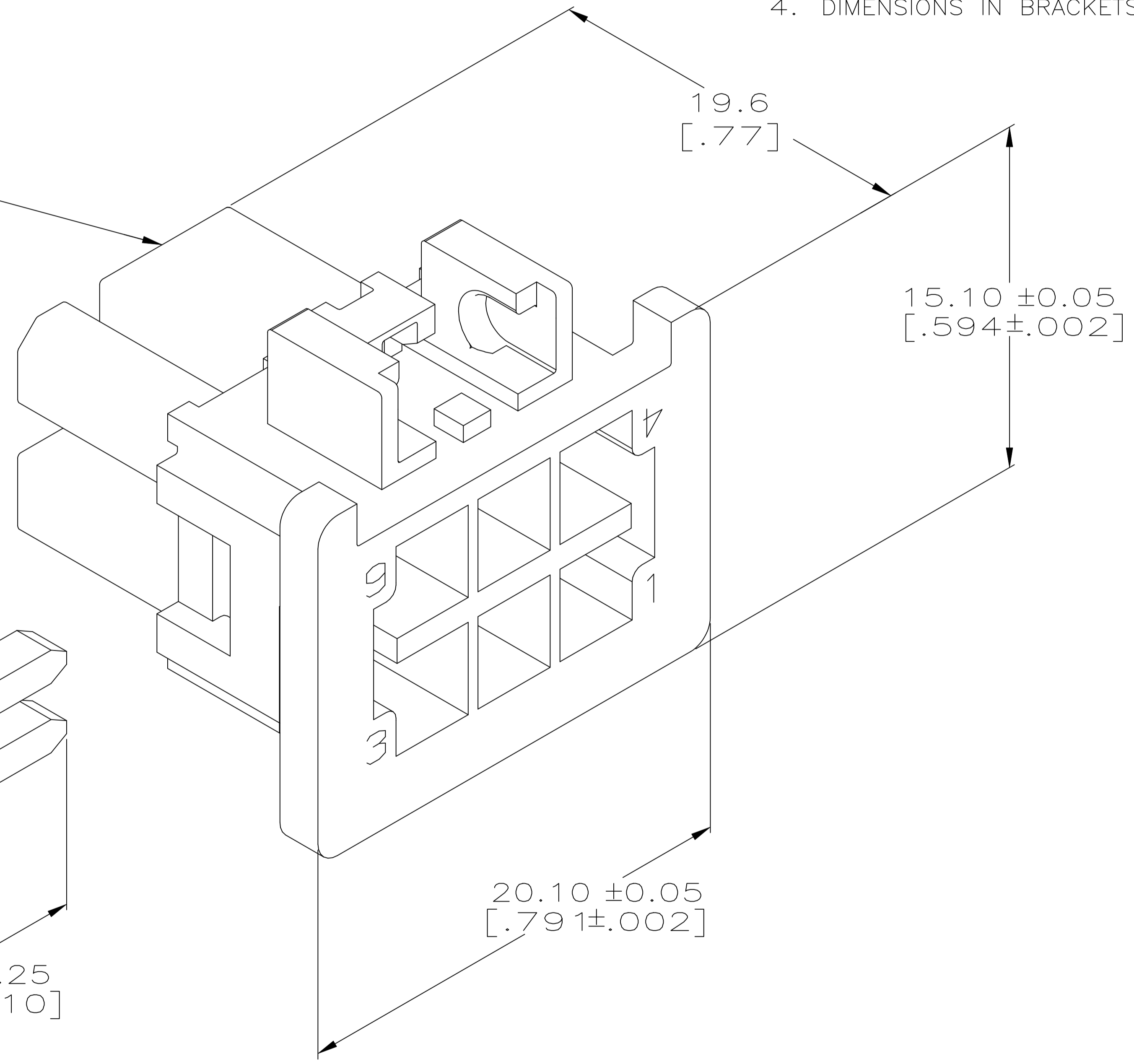


REVISIONS					
P	LTR	DESCRIPTION	DATE	DMN	APVD
F		ECO-18-012589	14AUG2018	TZ	DZ

1. BULK KITS CONSIST OF BAGS WHICH CONTAIN EQUAL QUANTITIES OF RECEPTACLE HOUSINGS AND POSITION LOCKS.
2. RECEPTACLE HOUSINGS AND POSITION LOCKS MAY BE ORDERED SEPARATELY.  
 RECEPTACLE HOUSING P/N: 794153-1  
 POSITION LOCK P/N: 794145-3
3. TERMINAL MUST BE INSERTED INTO RECEPTACLE HOUSING SO THAT THE TOP OF THE WIRE AND INSULATION CRIMPS FACE THE INTERIOR OF THE HOUSING. INSTALL POSITION LOCK AFTER FULLY SEATING ALL TERMINATED AMP-DUAC™ SOCKET CONTACTS AND KEYING RECEPTACLES. POSITION LOCK MAY BE INSTALLED IN EITHER SIDE OF THE RECEPTACLE HOUSING.
4. DIMENSIONS IN BRACKETS ARE IN INCHES.

RECEPTACLE HOUSING  
 (P/N 794153-1)

3  
 POSITION LOCK  
 (P/N 794145-3)



794319-1  
 PART NUMBER

THIS DRAWING IS A CONTROLLED DOCUMENT.		DIN R VESTAL 9-09-97	STE TE Connectivity Ltd.	
DIMENSIONS: mm		CHK R SWING 9-09-97	NAME KIT, BULK, RECEPTACLE HOUSING AND POSITION LOCK, 6 CIRCUIT, AMP-DUAC/PL	
TOLERANCES UNLESS OTHERWISE SPECIFIED:		APVD C CASH 9-09-97	PRODUCT SPEC 108-1646	
0 PLC ± -		APPLICATION SPEC 114-6067		
1 PLC ± 0.2[01]		SIZE A1		
2 PLC ± 0.13[005]		CAGE CODE 00779		
3 PLC ± -		DRAWING NO C=794319		
4 PLC ± -		WEIGHT 0		
ANGLES ± ± 0° 30'		CUSTOMER DRAWING		
FINISH -		SCALE 4:1 SHEET 1 OF 1 REV F		