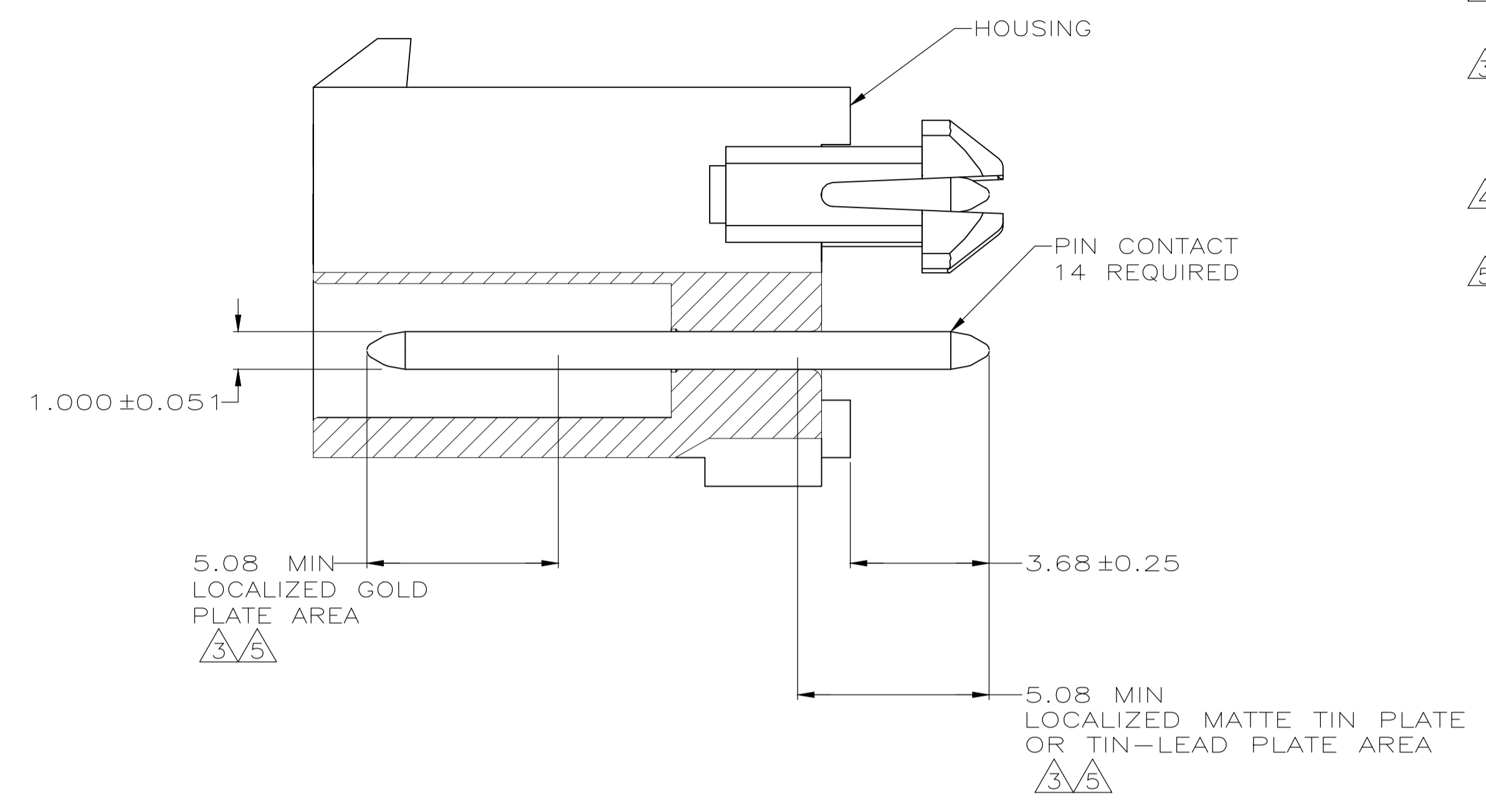
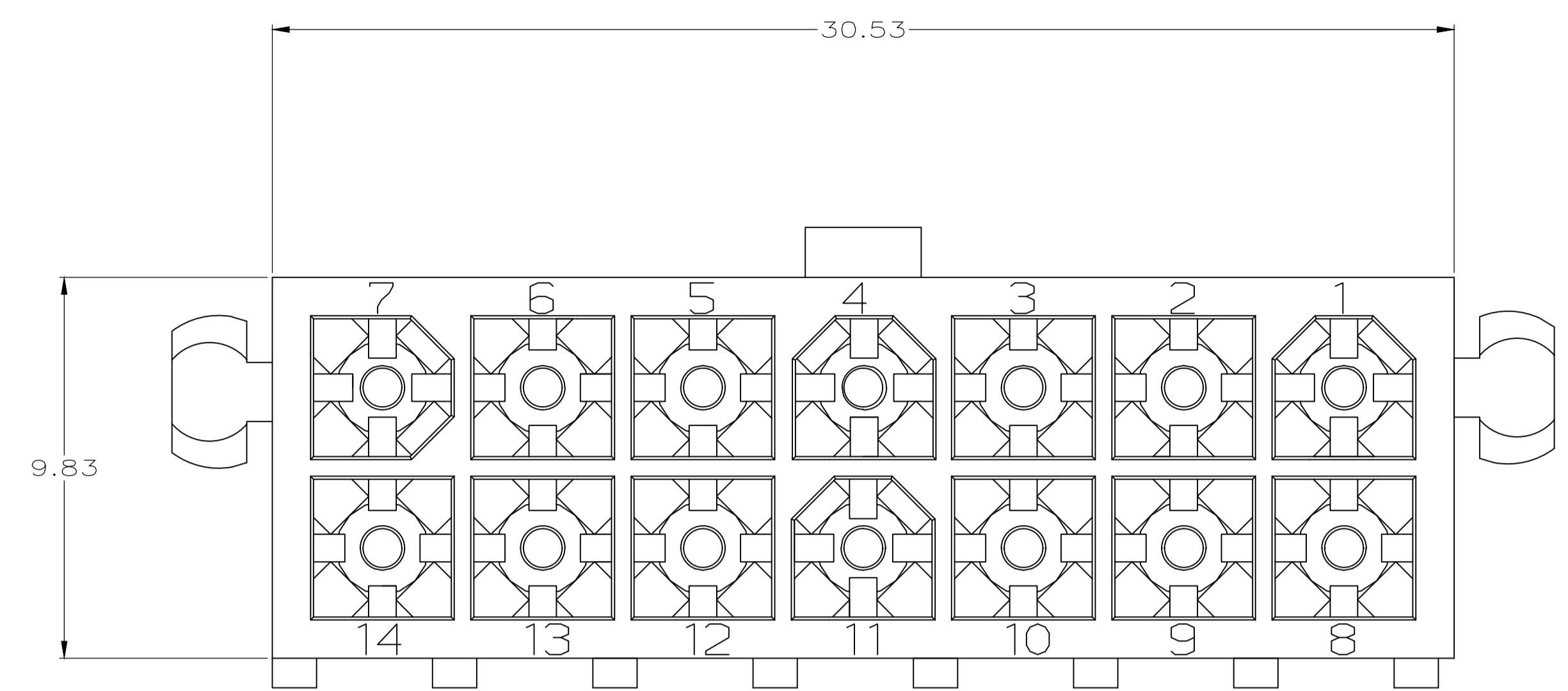
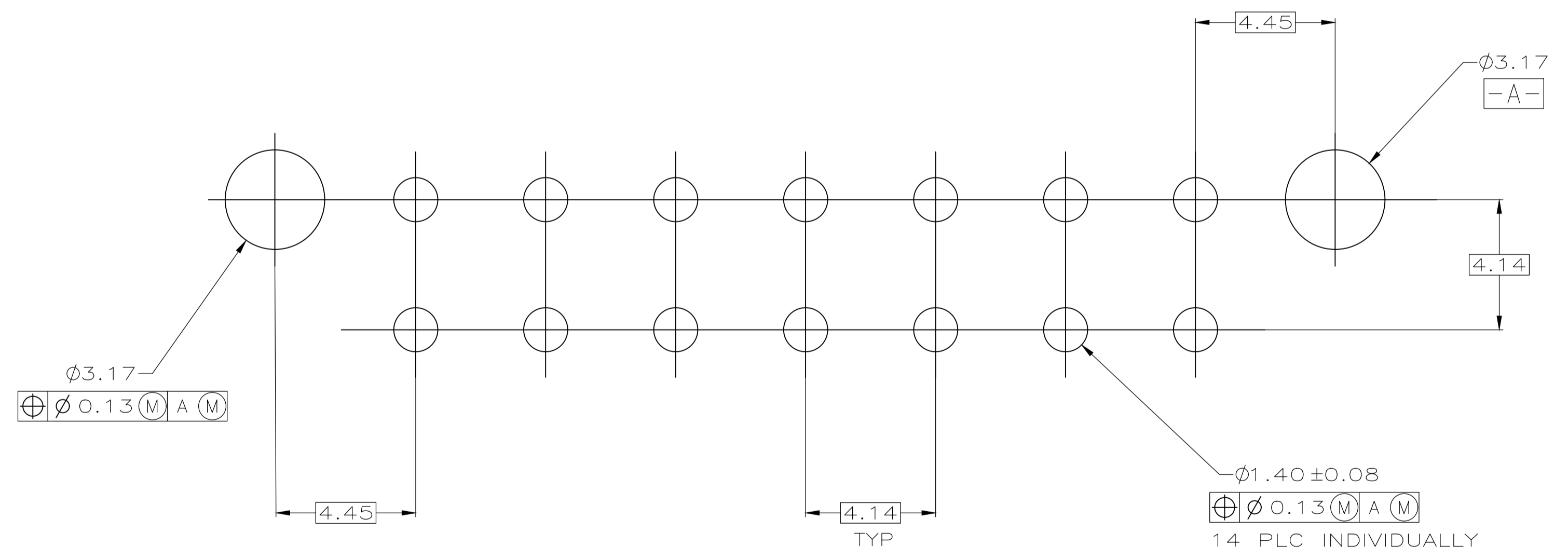
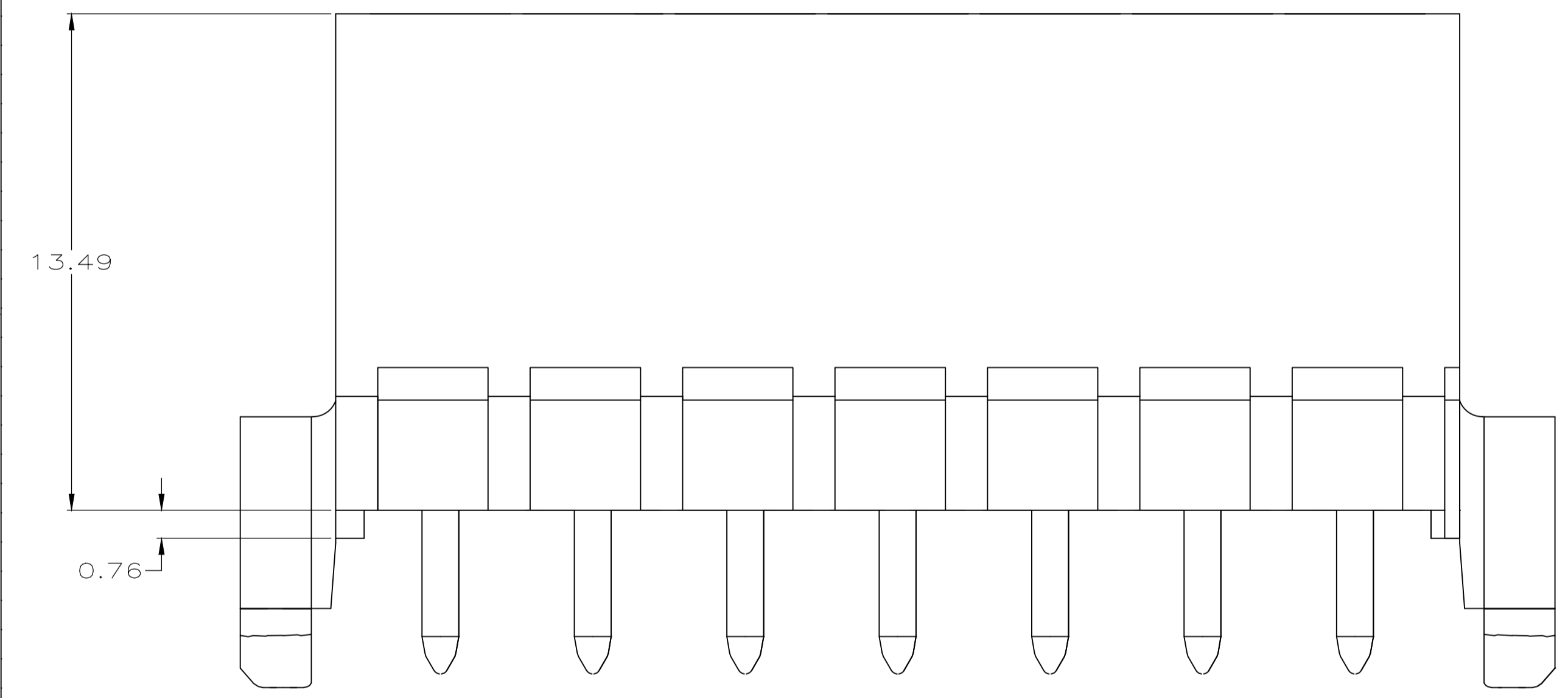


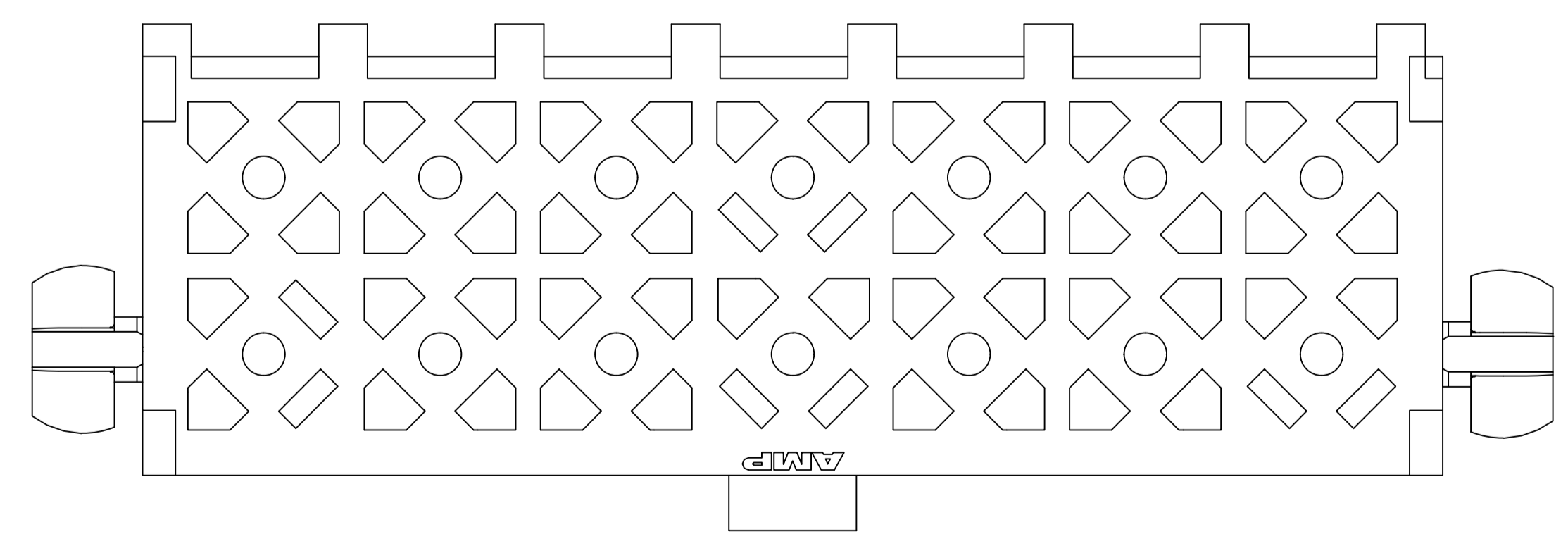
LOC		DIST		REVISIONS			
CM	0	REV	DESCRIPTION	DATE	BY	APP'D	
		F2	REVISED PER ECR-18-005392	28NOV2018	BDA	SG	



- PINS TO COMPLY WITH AMP SOLDERABILITY SPEC. 109-11-3.
- 0.00381 MIN MATTE TIN LEAD OVER 0.00127 MIN NICKEL.
- 0.00076 MIN GOLD PLATE IN THE LOCALIZED PLATE AREA, 0.00381 MATTE TIN LEAD IN THE LOCALIZED PLATE AREA, BOTH OVER 0.00127 MIN NICKEL.
- 0.00381 MIN MATTE TIN OVER 0.00127 MIN NICKEL.
- 0.00076 MIN GOLD PLATE IN THE LOCALIZED PLATE AREA, 0.00381 MATTE TIN LEAD IN THE LOCALIZED PLATE AREA, BOTH OVER 0.00127 MIN NICKEL.



RECOMMENDED MOUNTING HOLE PATTERN FOR 1.57 THICK P.C. BOARD



	PIN CONTACT MATERIAL AND FINISH	HOUSING MATERIAL AND COLOR	PART NUMBER
	BRASS, GOLD $\Delta 5$	NYLON, 94V-0, WHITE	1-794067-1
	BRASS, TIN $\Delta 4$	NYLON, 94V-0, WHITE	1-794067-0
OBSOLETE	BRASS, GOLD $\Delta 3$	NYLON, 94V-0, WHITE	-794067-2
OBSOLETE	BRASS, TIN LEAD $\Delta 2$	NYLON, 94V-0, WHITE	-794067-4

THIS DRAWING IS A CONTROLLED DOCUMENT.

DIMENSIONS: mm 	TOLERANCES UNLESS OTHERWISE SPECIFIED: 0. PLC ± - 1. PLC ± - 2. PLC ± 0.13 3. PLC ± - 4. PLC ± - ANGLES ± -	DB/JUN05 S CARPENTER 12AUG2003 R JONES 12AUG2003 R JONES PRODUCT SPEC APPLICATION SPEC WEIGHT CUSTOMER DRAWING	NAME R JONES SIZE A1 CASE CODE 00779 DRAWING NO 794067 RESTRICTED TO REV F2
--------------------	---	---	--

TE Connectivity  
 HEADER ASSEMBLY, 14 CKT, DOUBLE ROW VERTICAL, MINI UNIVERSAL MATE-N-LOK  
 SCALE 8:1 SHEET 1 OF 1