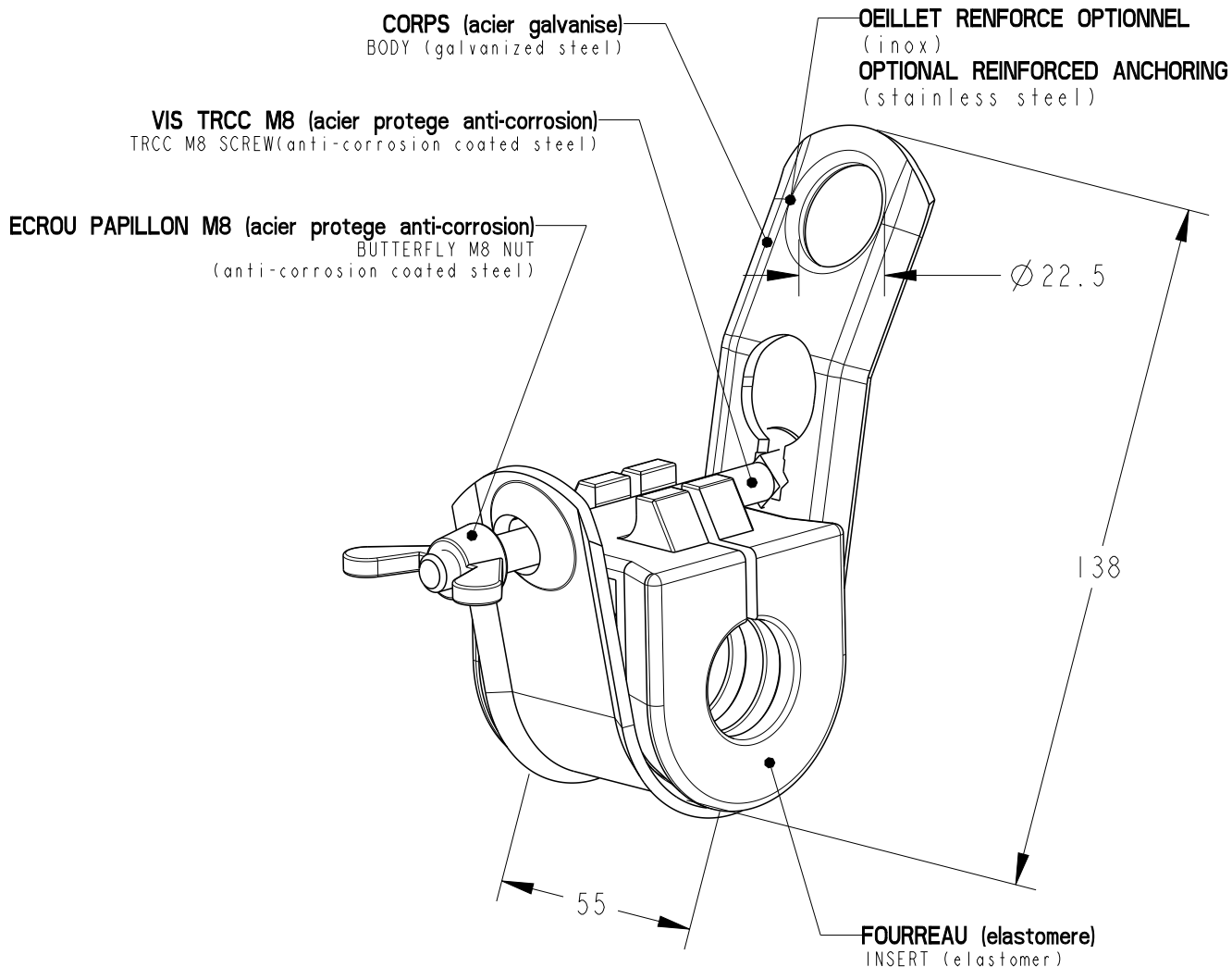


REVISIONS					
P	LTR REV	DESCRIPTION MODIFICATIONS	DATE	DWN DESS.	APVD APP.
	D	Ø22.5 UPDATED	16OCT2006	RB	GN
	E	ECR-14-010321	09JUL2014	RB	GN



PN	CODE	DESIGNATION	CAPACITES (mm2) CAPACITIES
789396-1	019476	PS 450	4x50
789396-2	019477	PS 470	4x70
789396-3	019478	PS 495	4x95
789396-4	022616	PS 250/435	2X50 TO 4X35

20

RELEASED FOR PUBLICATION
 LIBRE A LA DIFFUSION

ALL RIGHTS RESERVED.
 TOUS DROITS RESERVES.

THIS DRAWING IS UNPUBLISHED.
 DIFFUSION RESTREINTE AMP

BY -

© COPYRIGHT 20

TOLERANCES UNLESS OTHERWISE SPECIFIED: -
 TOLERANCES NON SPECIFIEES: -
 FINISH FINITION -

DIMENSIONS:

mm

DWN /DESSINE 09-Jul-14
 R.BUTHIOT

MATERIAL MATIERE

CHK /VERIFIE
 E.DEREY

APVD /APPROUVE
 G.NEDELLEC

PRODUCT SPEC
 SPEC. PRODUIT

APPLICATION SPEC
 SPEC. APPLICATION

WEIGHT MASSE APPROX. 350 g.

NAME TITRE PS 250/435/450/470/495

SIZE FORMAT A4

CAGE CODE -

DRAWING NO No PLAN C=789396

RESTRICTED TO RESERVE A

CUSTOMER DRAWING /PLAN CLIENT

UNIQUEMENT POUR REFERENCE

SCALE ECHELLE 7:10

SHEET FEUILLE 1 OF DE 1

REV E

