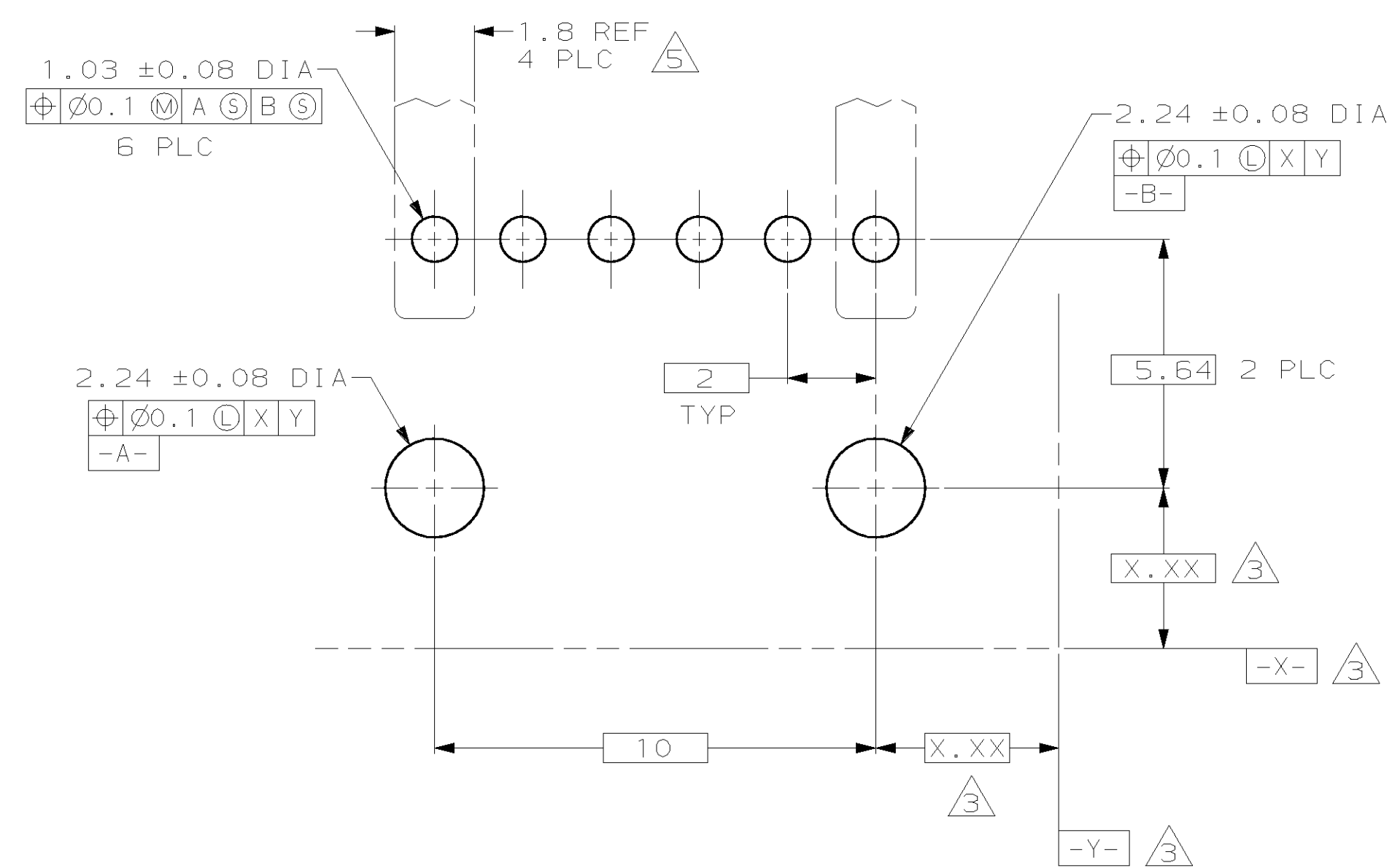
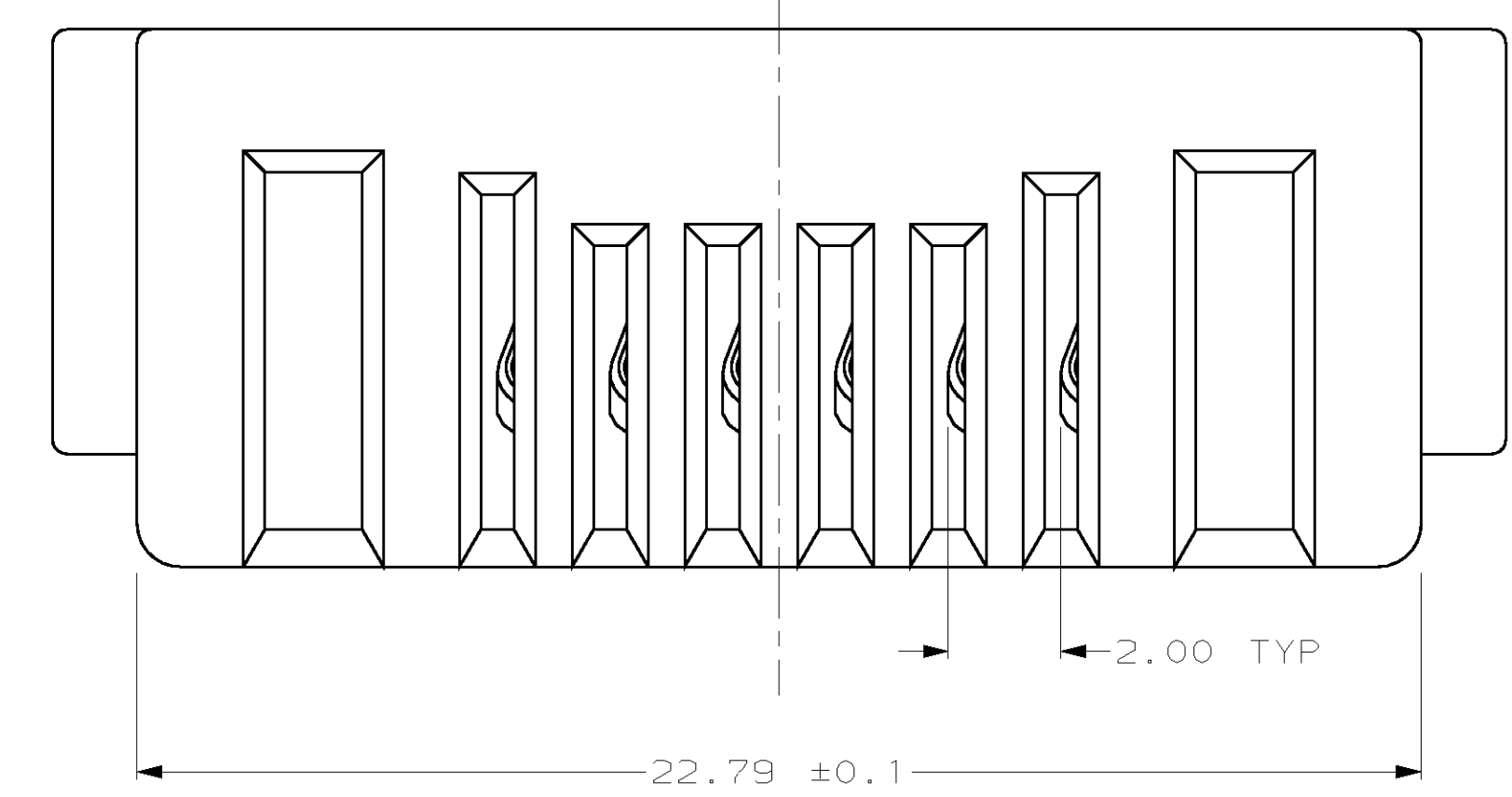
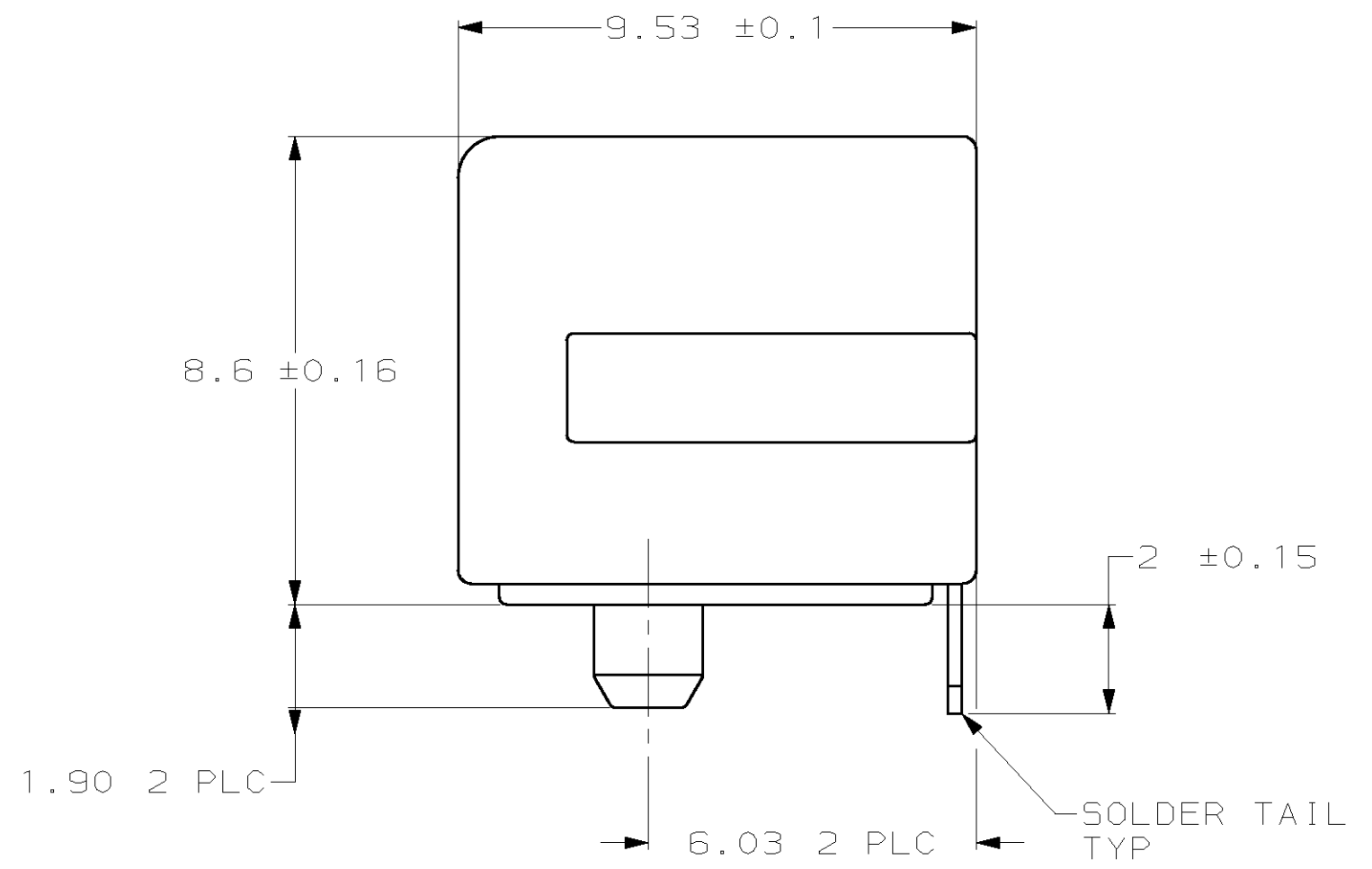
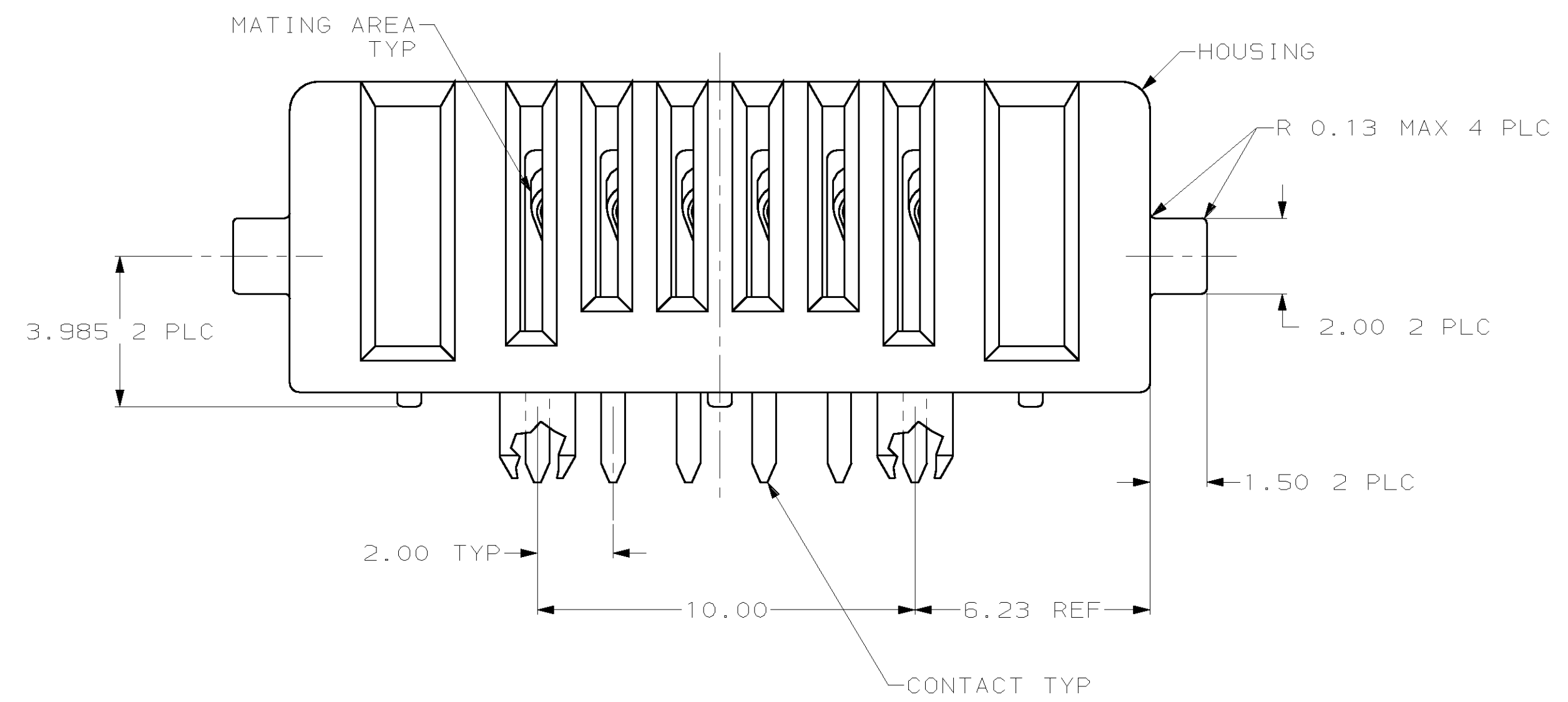


LOC	DIST	REV	DESCRIPTION	DATE	OWN	APPRO
AD	0					
		C	REV PER 0410-0189-96	14 MAR 97	JR	CB
		D	REV PER EC 061C-0036-99	29 MAR 99	CD	KD
		E	REV PER EC 061C-0056-99	30 MAR 99	CD	KD



P.C. BOARD MOUNTING DIMENSIONS Δ



Δ MATERIAL:
 HOUSING- SP5, UL 94V-0 RATED, BLACK.
 CONTACTS- PHOSPHOR BRONZE.

Δ PLATING:
 CONTACTS: .076 μ m MINIMUM GOLD OVER 0.76 μ m MINIMUM PALLADIUM NICKEL ON MATING AREA,
 3.80 μ m MINIMUM TIN-LEAD ON SOLDER TAIL, ALL OVER 1.27 μ m MINIMUM NICKEL.

Δ DATUMS AND BASIC DIMENSIONS ESTABLISHED BY CUSTOMER.

Δ RECOMMENDED PC BOARD THICKNESS OF 1.57.

Δ RECOMMENDED MINIMUM TRACE WIDTH FOR END POSITIONS
 WHEN CARRYING 4 AMPS: 1.80 WIDE x 55 μ m THICK, BOTH SIDES.

787526-1
 PART NUMBER

<small>THIS DRAWING IS A CONTROLLED DOCUMENT FOR AMP INCORPORATED. IT IS SUBJECT TO CHANGE AND THE CONTROLLING ENGINEERING ORGANIZATION SHALL BE CONTACTED FOR THE LATEST REVISION.</small>		DWN M. E. SHIRK 06/16/95 CHK WAYNE DAVIS 06/16/95 APV R. S. KLINE 07-11-95	AMP Incorporated Harrisburg, PA 17105-3608
DIMENSIONS: mm 	TOLERANCES UNLESS OTHERWISE SPECIFIED: 0 PLC ± 1 PLC ± 2 PLC ±0.13 3 PLC ±0.13 4 PLC ± ANGLES ±	NAME PRODUCT SPEC APPLICATION SPEC WEIGHT	RECEPTACLE ASSEMBLY, 6 POSITION, MDI SIZE CAGE CODE DRAWING NO A1 00779 C-787526 SCALE 8:1 SHEET 1 OF 1 REV E
MATERIAL Δ	FINISH Δ	CUSTOMER DRAWING	