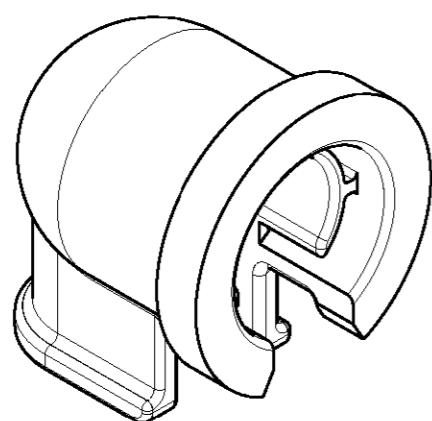
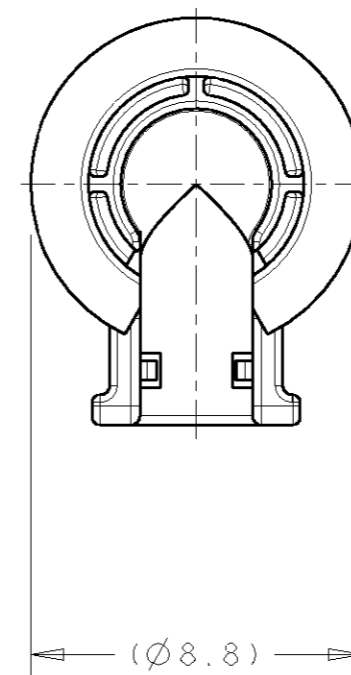
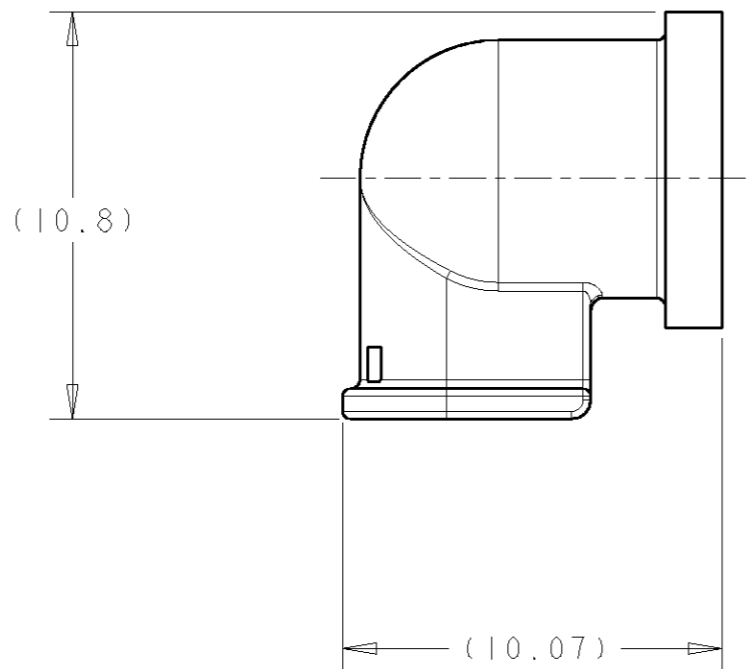


THIS DRAWING IS UNPUBLISHED. RELEASED FOR PUBLICATION 20  
 © COPYRIGHT 20 BY TYCO ELECTRONICS CORPORATION. ALL RIGHTS RESERVED.

LOC	DIST	REVISIONS					
		P	LTR	DESCRIPTION	DATE	DWN	APVD
IN	00		A	INITIAL RELEASE	09MAR2006	DJH	JMR
			B	REVISED PER ECO-06-7999	05APR2006	DJH	JMR
			C	REVISED PER ECO-06-9079	18APR2006	DJH	JMR

1 POLYESTER PBT, BROWN BEIGE (SIMILAR TO RAL 1011).  
 2. SEE INSTRUCTION SHEET 408-10028.



ISOMETRIC VIEW

776760-1  
 PART NUMBER

<small>THIS DRAWING IS A CONTROLLED DOCUMENT FOR TYCO ELECTRONICS CORPORATION          IT IS SUBJECT TO CHANGE AND THE CONTROLLING ENGINEERING ORGANIZATION          SHOULD BE CONTACTED FOR THE LATEST REVISION.</small>		DWN D.J.HARDY 24JAN2006 CHR J.W.HALL 09MAR2006 APVD J.W.HALL 09MAR2006		<b>tyco</b> <b>Electronics</b> Tyco Electronics Harrisburg, PA 17105-3608	
DIMENSIONS: mm		TOLERANCES UNLESS OTHERWISE SPECIFIED: 0 PLC ±- 1 PLC ±- 2 PLC ±- 3 PLC ±- 4 PLC ±- ANGLES ±-		NAME END CAP, 1 POSITION, RG-316 OR RG-174, 90 DEGREE, FAKRA, SMB	
		MATERIAL - 1		FINISH -	
PRODUCT SPEC -		APPLICATION SPEC 114-13157		SIZE A3 CAGE CODE 00779 DRAWING NO C-776760 RESTRICTED TO -	
WEIGHT -		CUSTOMER DRAWING		SCALE 5:1 SHEET 1 OF 1 REV C	