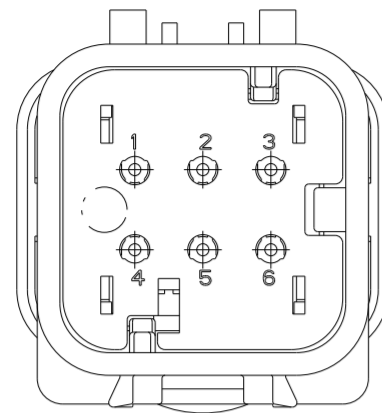
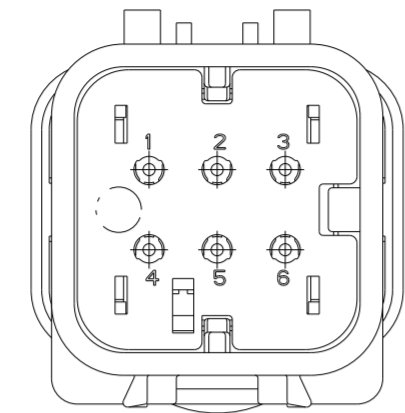


THIS DRAWING IS UNPUBLISHED. RELEASED FOR PUBLICATION  
 © COPYRIGHT 20 BY - ALL RIGHTS RESERVED.

REVISIONS					
P	LTR	DESCRIPTION	DATE	DWN	APVD
C		REVISED PER ECO-13-019168	05DEC2013	DR	RB
CI		REVISED PER PCN-23-190965	31OCT2023	AP	CB



776537-2  
SCALE 2:1



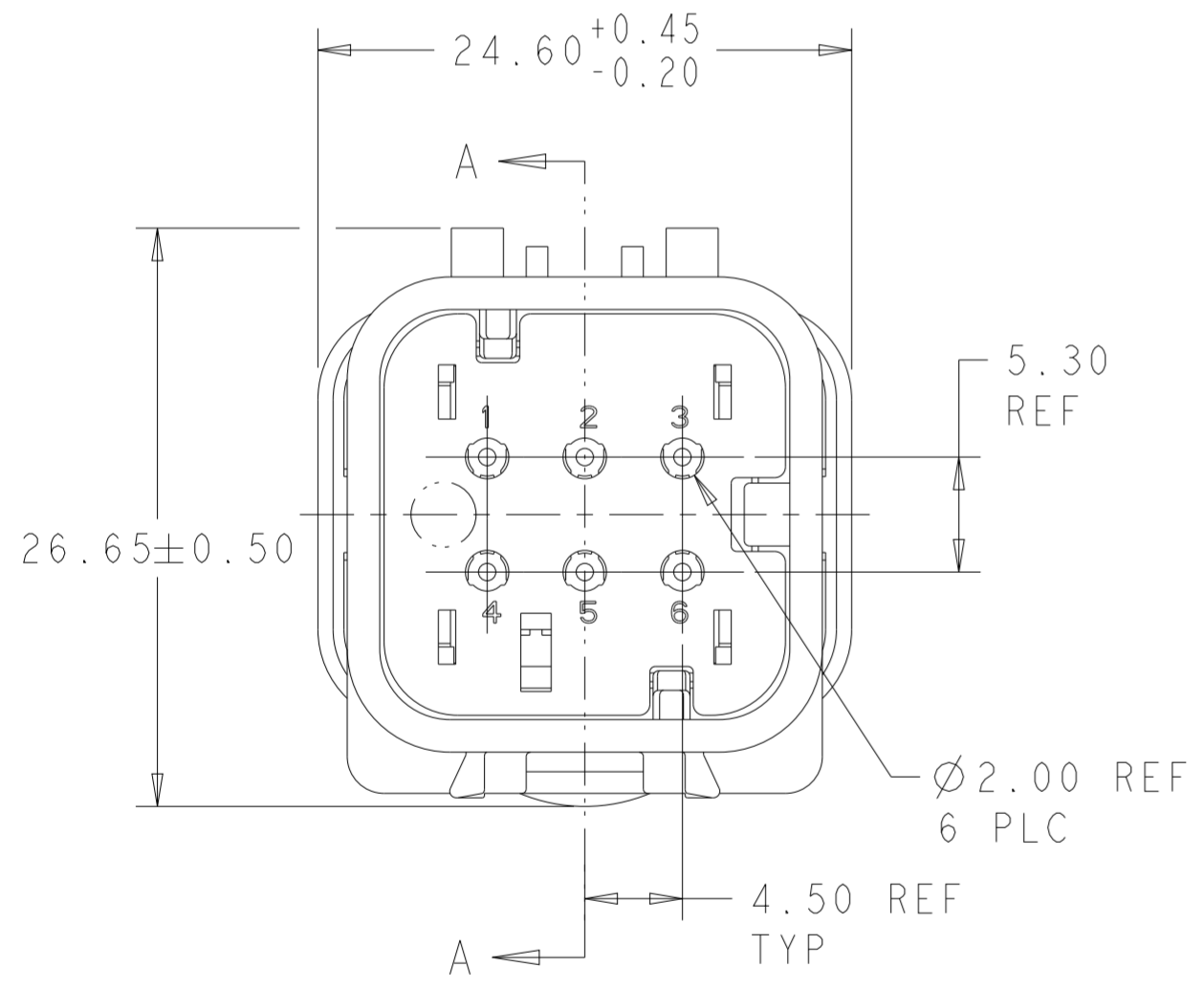
776537-3  
SCALE 2:1

1 MATERIAL: 15% GLASS FILLED THERMOPLASTIC  
COLOR: BLACK

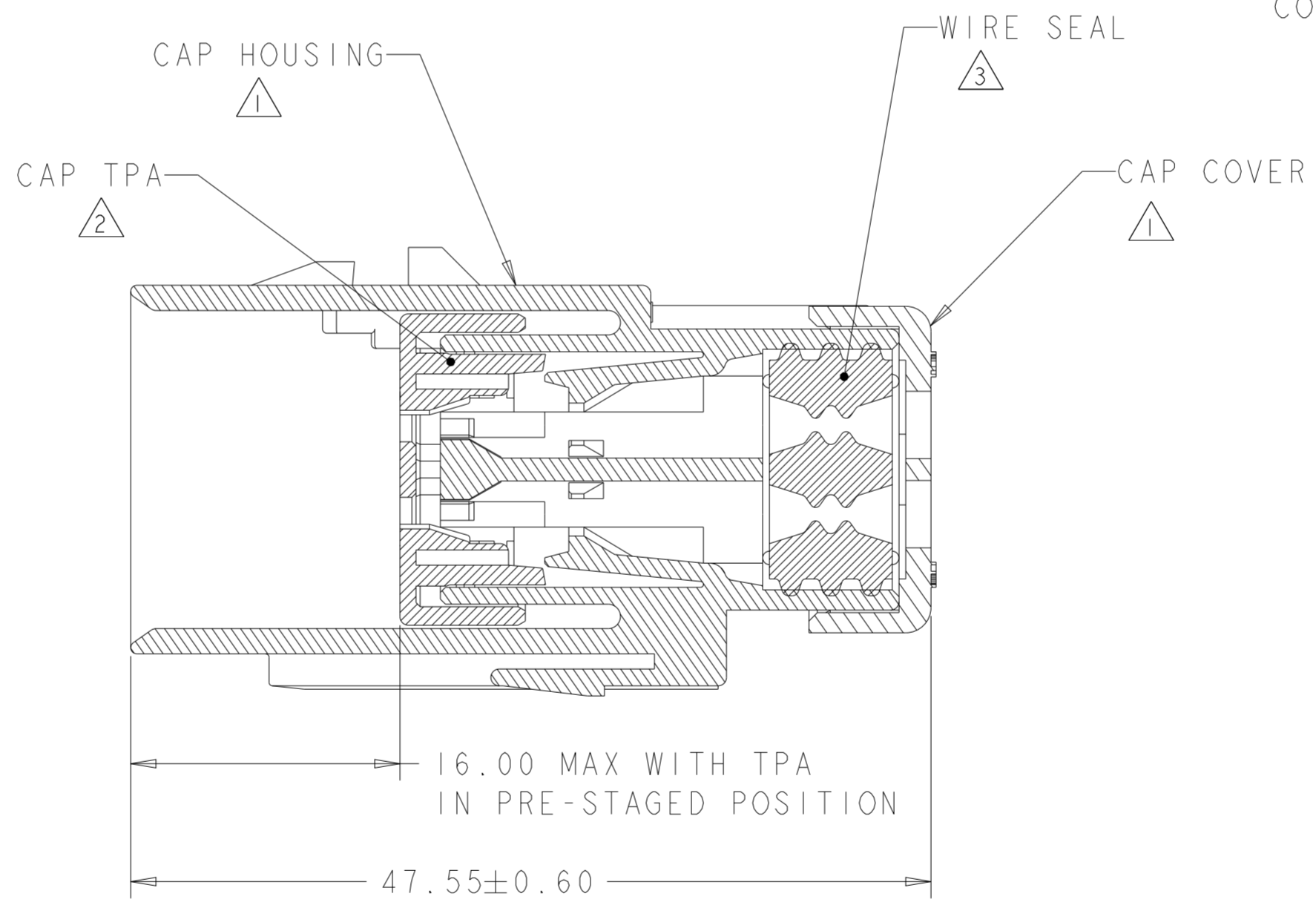
2 MATERIAL: 15% GLASS FILLED THERMOPLASTIC  
COLOR: (SEE TABLE)

3 MATERIAL: SILICONE  
COLOR: LIGHT GRAY

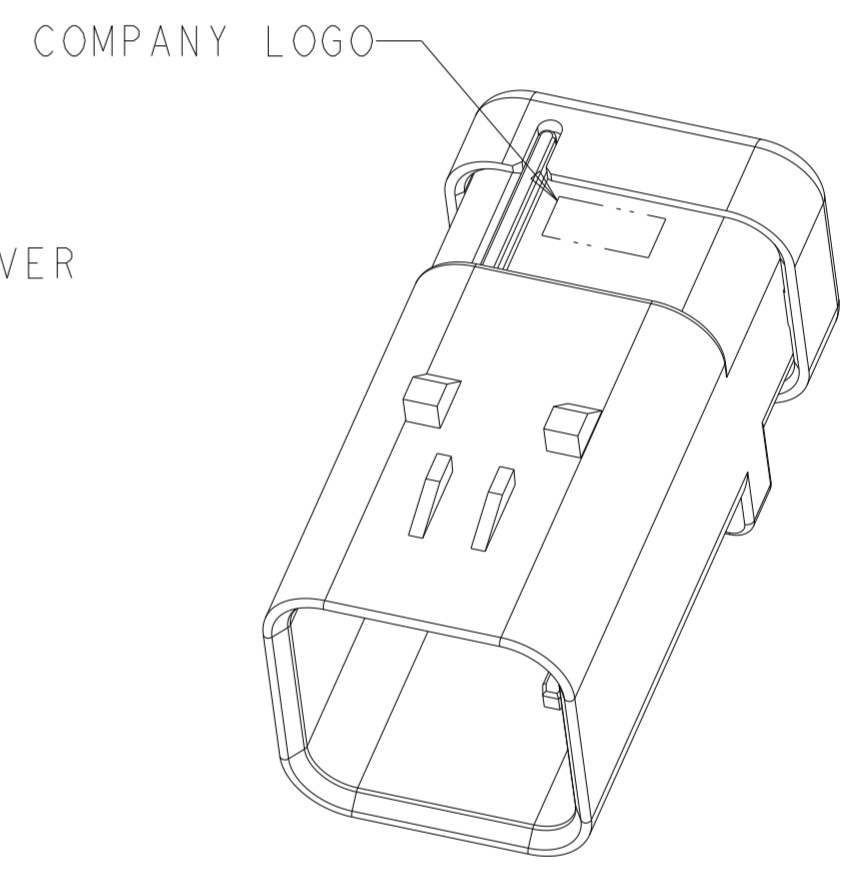
4. RECOMMENDED WIRE DIAMETER RANGE IS 1.30 TO 2.54mm



776537-1 SHOWN



SECTION A-A  
OPEN POSITION



SCALE 2:1

YELLOW	776537-3
GRAY	776537-2
RED	776537-1
TPA COLOR	PART NUMBER

THIS DRAWING IS A CONTROLLED DOCUMENT.		DWN W. HOELSCHER 04SEP2003	TE Connectivity			
DIMENSIONS: mm		CHK J. PATTERSON 04SEP2003				
TOLERANCES UNLESS OTHERWISE SPECIFIED:		APVD D. KLEIN 04SEP2003	NAME CAP ASSEMBLY, 6 POSITION, 2 ROW, AMPSEAL 16 CONNECTOR REDUCED DIA WIRE SEAL			
0 PLC ± 1 PLC ± 2 PLC ± 3 PLC ± 4 PLC ± ANGLES ± FINISH -		PRODUCT SPEC 108-2184	SIZE A2	CAGE CODE 00779	DRAWING NO C-776537	RESTRICTED TO -
MATERIAL -		APPLICATION SPEC 114-13065	WEIGHT 15.5	SCALE 2:1	SHEET 1	REV CI
		Customer Drawing			OF 1	