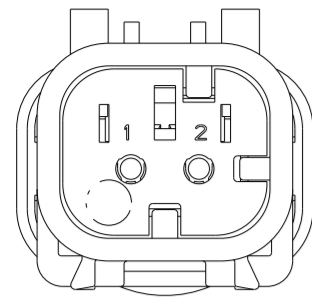
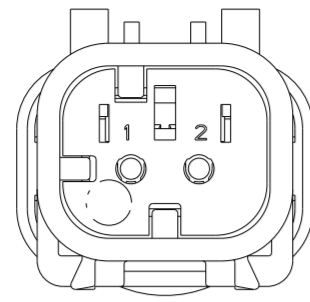


THIS DRAWING IS UNPUBLISHED. RELEASED FOR PUBLICATION  
 © COPYRIGHT 20 BY - ALL RIGHTS RESERVED.

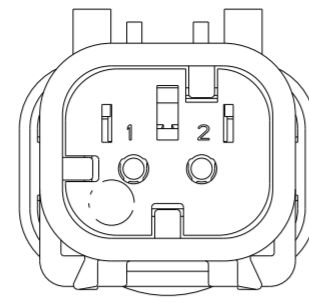
REVISIONS				
P	LTR	DESCRIPTION	DATE	APVD
E		REVISED PER ECO-13-019067	05DEC2013	DR RB
EI		REVISED PER PCN-23-190965	31OCT2023	AP CB



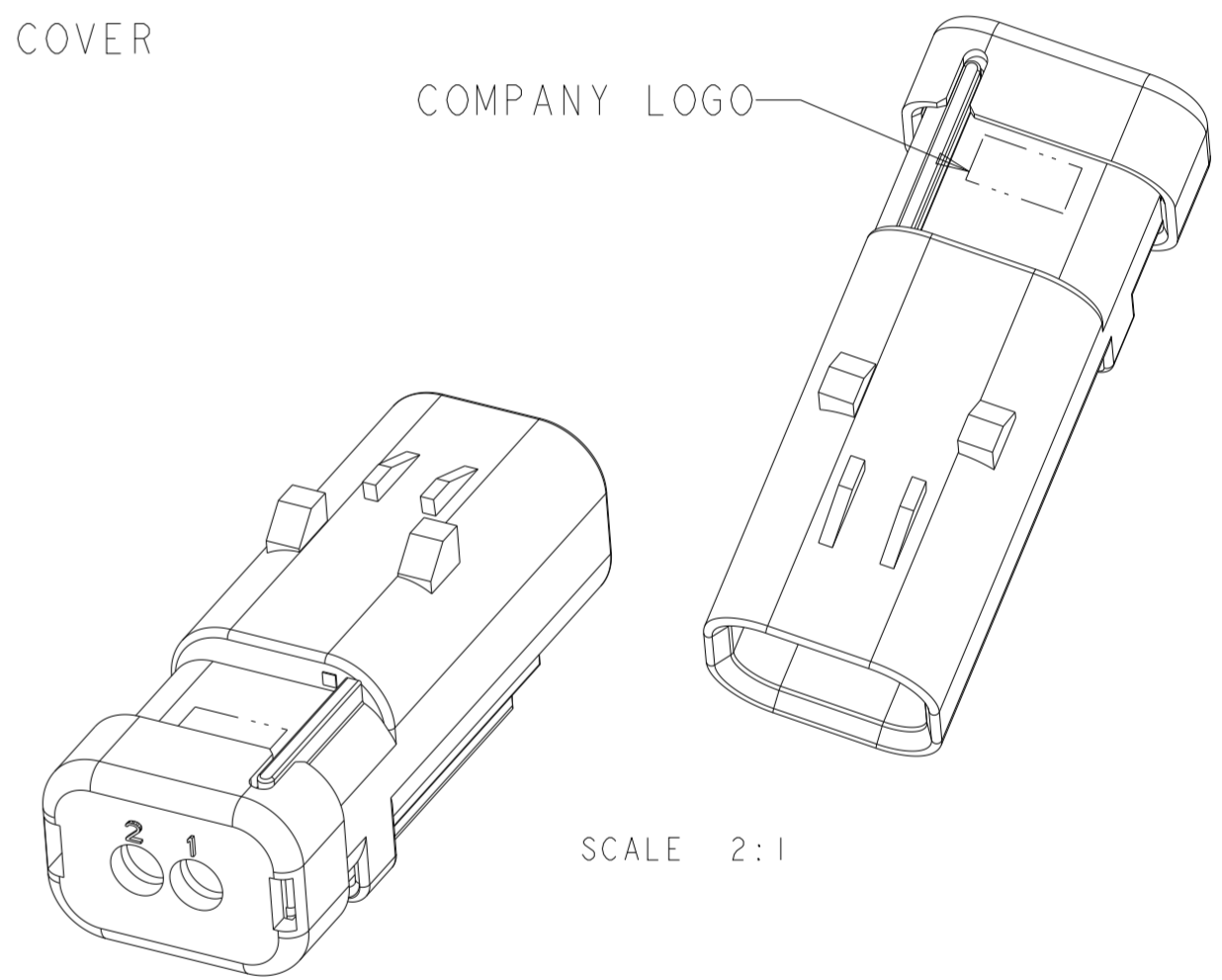
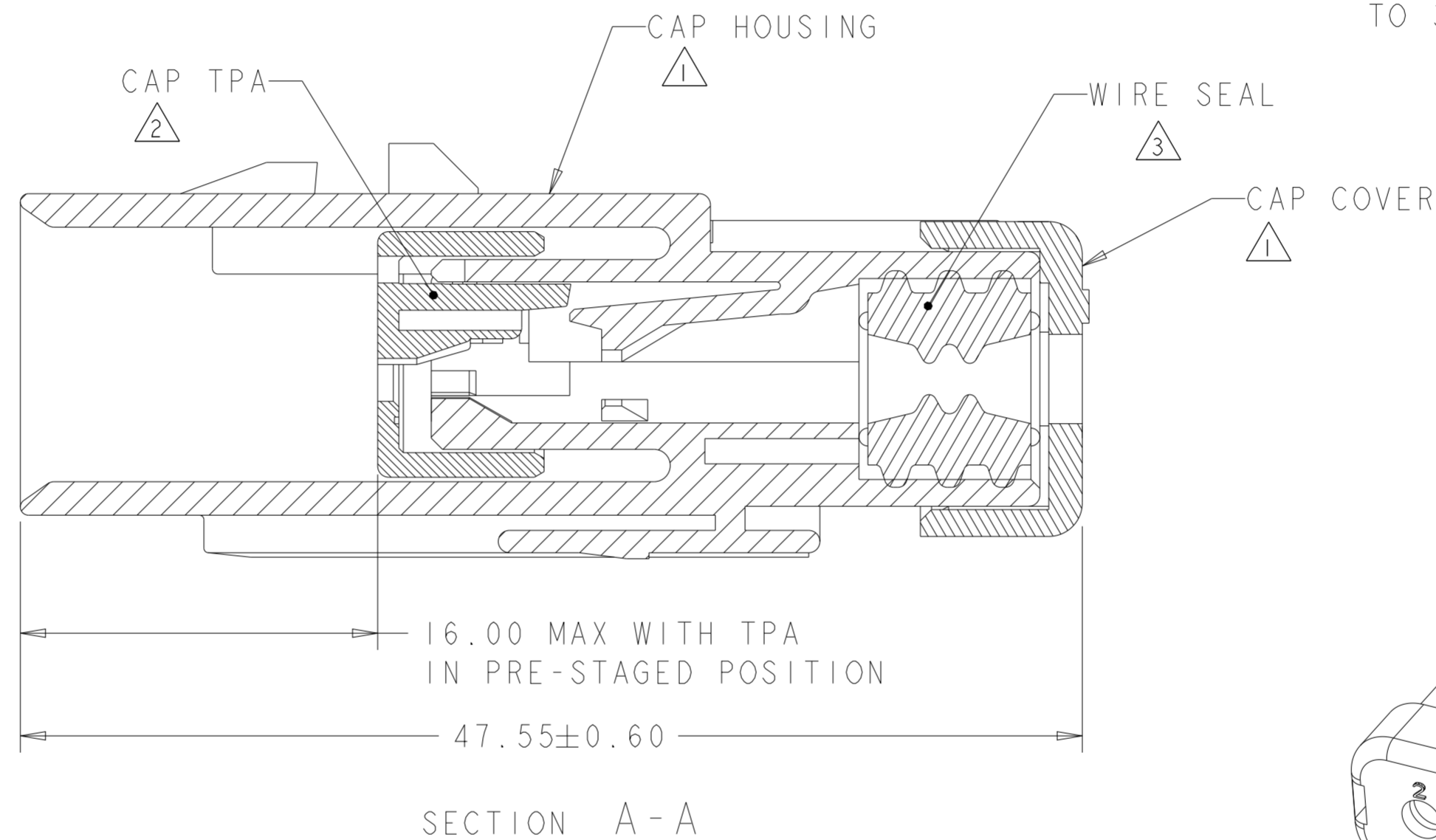
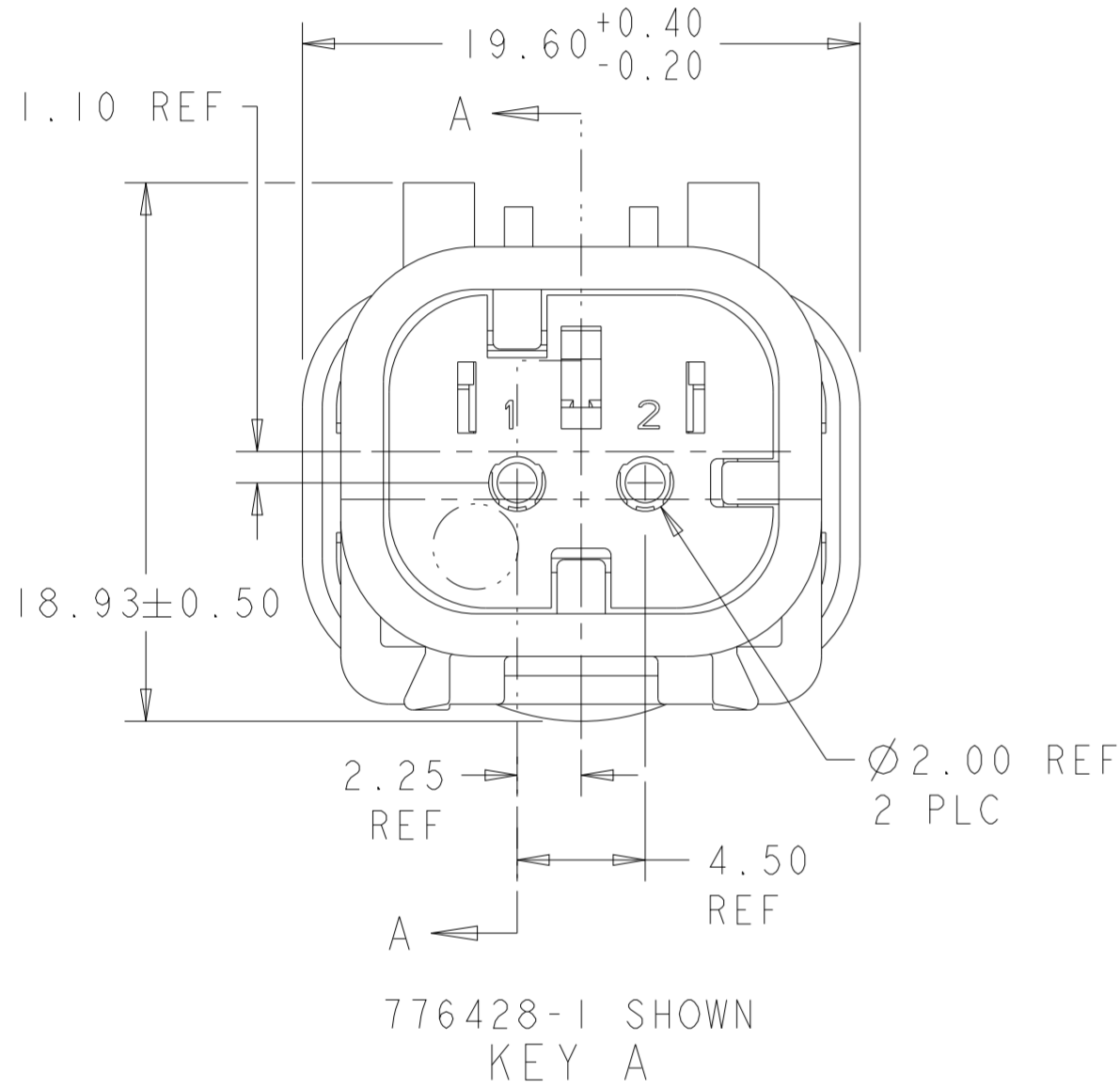
776428-2  
SCALE 2:1  
KEY B



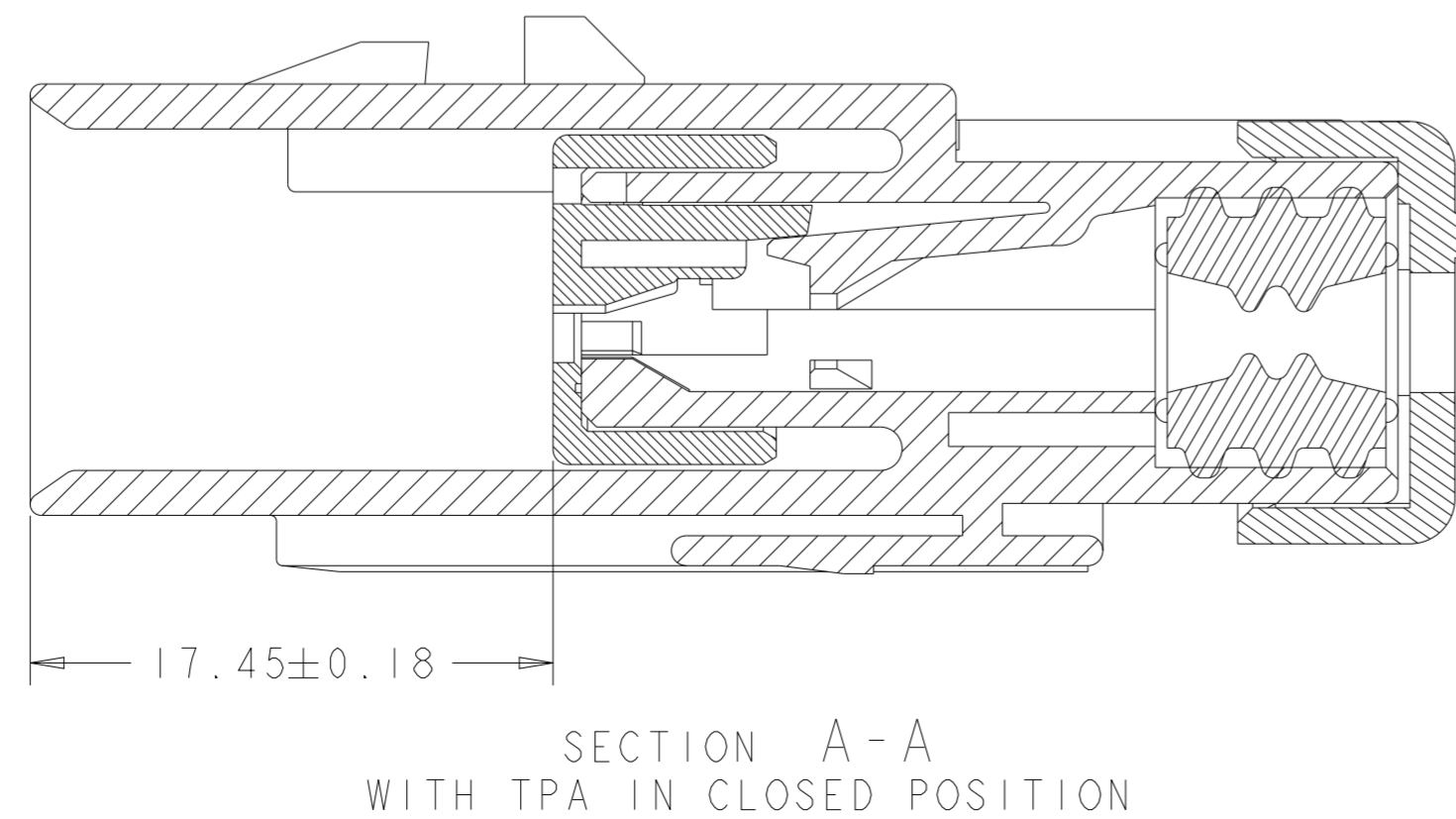
776428-3  
SCALE 2:1  
KEY C



776428-4  
SCALE 2:1  
KEY D



- 1 MATERIAL: 15% GLASS FILLED THERMOPLASTIC  
COLOR: BLACK
- 2 MATERIAL: 15% GLASS FILLED THERMOPLASTIC  
COLOR: (SEE TABLE)
- 3 MATERIAL: SILICONE  
COLOR: MARINE BLUE
- 4. RECOMMENDED WIRE DIAMETER RANGE IS 2.18 TO 3.67mm.



GREEN	776428-4
YELLOW	776428-3
GRAY	776428-2
RED	776428-1
TPA COLOR	PART NUMBER

THIS DRAWING IS A CONTROLLED DOCUMENT.		DWN Y. PETERSON 22FEB2000	TE Connectivity	
DIMENSIONS: mm		CHK R. GREINER 11DEC2001		
TOLERANCES UNLESS OTHERWISE SPECIFIED:		APVD M. TRULL 11DEC2001	NAME CAP ASSEMBLY, 2 POSITION, SINGLE ROW, AMPSEAL 16	
0 PLC	±	PRODUCT SPEC 108-2184	SIZE	RESTRICTED TO
1 PLC	±	APPLICATION SPEC 114-13065	A200779	
2 PLC	±	WEIGHT 9	C-776428	
3 PLC	±	Customer Drawing	SCALE 4:1	SHEET OF
4 PLC	±			REV EI
ANGLES	±			
FINISH	-			